

NSCS 200-315/75/L65VDC4

Technical data

Company name
Contact
Phone number
e-mail address

Operating data				
1	Pumpe type	Single head pump	Fluid	Water, pure
2	No. of pumps	1	Operating temperature t A	°C 4
3	Nominal flow	m³/h 0	Max / Min Operating Temperature mech. Seal	°C 120 / -25
4	Nominal head	m 0	pH-value at t A	7
5	Static head	m 0	Density at t A	kg/m³ 1000
6	Inlet pressure	kPa 0	Kin. viscosity at t A	mm²/s 1.569
7	Environmental temperature	°C 20	Vapor pressure at t A	kPa 100
8	Available system NPSH	m 0	Altitude	0

Pump data				
9	Lubrication	42		
10	Execution	Standard Design (Type B)		
11	Design	Horizontal		
12	Operating speed	980 rpm	Stages	1
13	Suction nozzle	DN250 / PN16	/ EN1092-2	
14	Discharge nozzle	DN200 / PN16	/ EN1092-2	
15	Max. casing pressure	kPa	Impeller Ø	Max. mm 333
16	Max. working pressure	kPa 90.5		designed mm 260
17	Impeller type	Radial impeller		Min. mm 260
18	Head H(Q=0)	m 9.2	Flow	Nominal m³/h
19	Max. shaft power	kW 7.7		Max- m³/h 485
20	Pump weight	kg		Min- m³/h 71
21	Total weight	kg 288.0	Head	Nominal m
				at Qmax m 2.9
				at Qmin m 9.1
			Shaft power	kW
			Efficiency	%
			NPSH 3%	m

Materials				
Pump		Shaft Seal		
22			Single mechanical seal, without shaft sleeve	
23	Volute Casing	Ductile Iron, EN-GJS-400-15, ASTM A536 40-60-18		
24	Impeller	Cast Iron, EN 1561 - GJL-200, ASTM Class 30		eMG12 - Ø48mm BQ7EGG-WA
25	Casing Cover	Ductile Iron, EN-GJS-400-15, ASTM A536 40-60-18		Mechanical seal diameter 48 mm
26	Shaft	Stainless steel, 1.4057, AISI 431		1. Rotating ring Carbon graphite resin impregnated
27	Wear ring	Stainless steel, 1.4301, AISI 304		2. Stationary ring SiC, silicon carbide, sintered press. less
28	Impeller lock nut and washer	A4 (1.4401)		3. Secondary seal Ethylene propylene rubber (EPDM)
29	Impeller key	Stainless steel, 1.4571, AISI 316Ti		4. Springs CrNiMo - Steel
30	Fill and drain plugs	Galvanized carbon steel, EN 10277-3, AISI 1213 / 1215		5. Others EPDM - WRAS
31	Bearing bracket	Cast Iron, EN 1561 - GJL-250, ASTM Class 35		Gaskets of the pump Ethylene propylene rubber (EPDM)
32				
33				
34				
35				
36				
37				
38				
39				
40				
41				

Motor data				
Electrical and dimensional data refer to IE3 motor				
42	Manufacturer	Lowara		
43	Specific design	IE3 3ph Flange Motor - Premium Efficiency		
44	Type	3MAS 160 M B35 7,5 kW		
45	Rated power	7.5 kW	Rated current	16.8 A
46	Nominal speed	970 rpm	Rated voltage	400 V
47	Frame size	160 M	Service factor	1
48	Weight	kg 83.0	Degree of protection	IP55

Remarks				
49				
50				
50				
52				

Project	Xylect-20303810	Created by		Last update	12/6/2024
Block	NSCS 200-315/750/L45VDC4 E4	Created on	12/6/2024		

NSCS 200-315/75/L65VDC4

Performance curve

Company name
Contact
Phone number
e-mail address

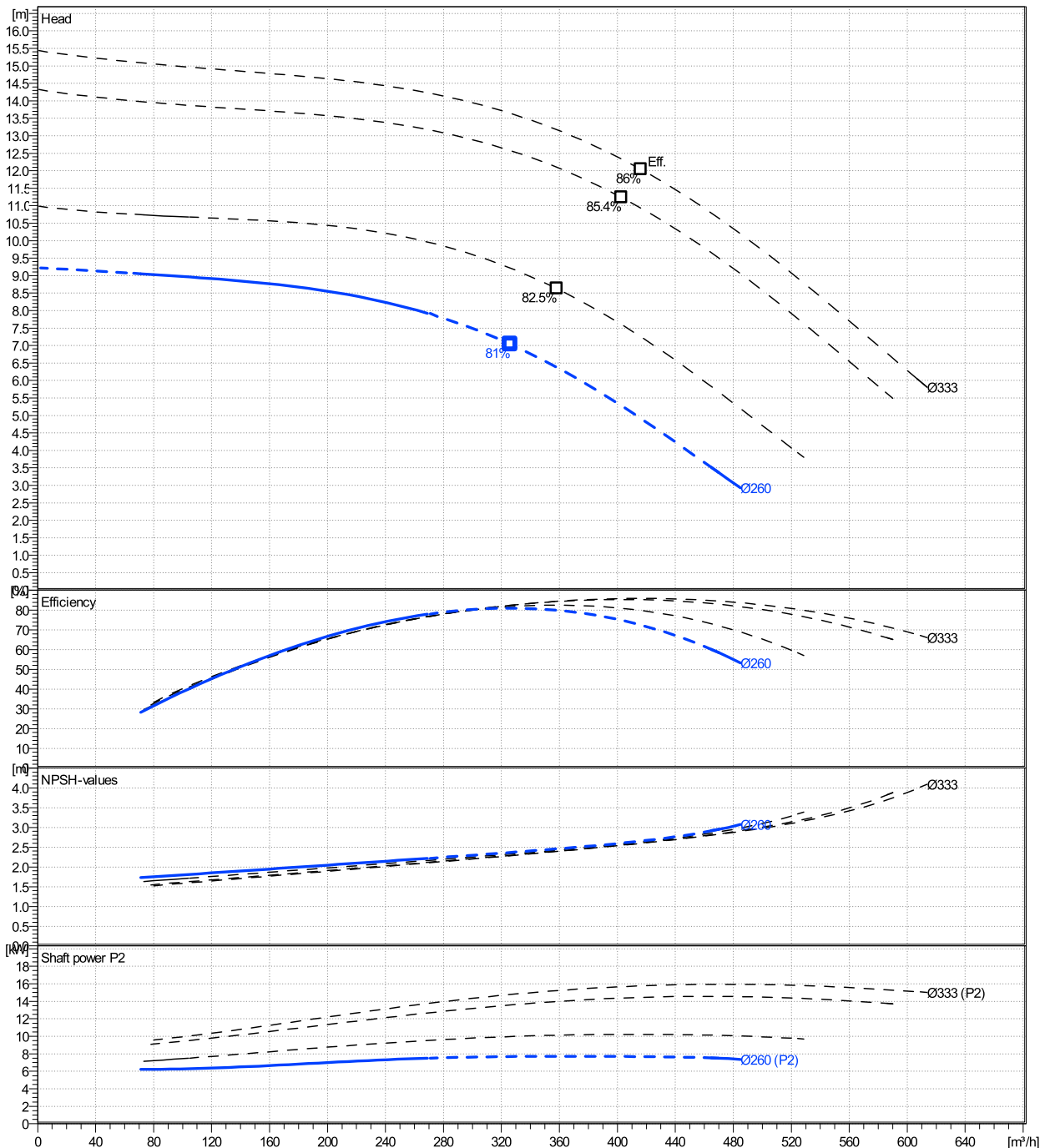
	Ø mm	Pump capacity Operating range η			Pump head H(Q=0) η		Shaft power P2 P2(Q=0) η			Frequency	Hz	50
		Min. m³/h	Max. m³/h	Max. m³/h	m	Max. m	kW	Max. kW	Max. kW	Operating speed	rpm	980
actual	260	71	485	326	9.22	7.04	7.71	7.69	Nominal flow	m³/h	0	
Min.	0	/	/	326	9.22	7.04	/	7.69	Nominal head	m	0	
Max.	333	/	/	416	15.4	12	/	15.8	Inlet pressure	kPa	0	
									Static head	m	0	

Power datas referred to:

hydr. Performance acceptance acc. To EN ISO 9906 Class Grade 2B

Water, pure [100%] ; 4°C; 1000kg/m³; 1.57mm²/s

MEI: 0,56 - according to Ecodesign Directive 2009/125/EC and Regulation (EU) No.547/2012



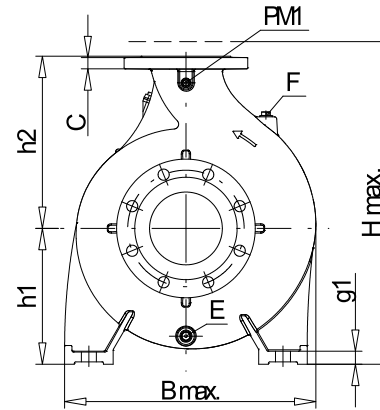
NSCS 200-315/75/L65VDC4

Dimensions

Company name
Contact
Phone number
e-mail address

Blockpump
Standard Design (Type B)
3MAS 160 M B35 7,5 kW

Electrical and dimensional data refer to IE3 motor



PM1...Pressure gauge connector
E...Drain
F...Filling



Value C, D may vary from Standard

Dimensions [mm]			
a	180	L	934
A	254	m1	200
AA	62	m2	150
AB	332	n1	550
AD	252	n2	450
b	100	P	350
B	210	PM1	1/2"
BB	255	s1	23
Bmax	645	Trim	0
CTO	0	Type	B
DNd	200	Volumen	0.48496
DNs	250	w	362
E	1/2"	x	200
F	-		
f	254		
g1	26		
H	160		
h1	355		
h2	450		
h3	0		
HA	22		
Hmax	805		
hs	195		
K	15		

Weight	
Total weight	288 kg

Connections			
Suction nozzle		Discharge nozzle	
DN250		DN200	
PN16		PN16	
EN1092-2		EN1092-2	
C	32	C	30
D	405	D	345
d1	319	d1	266
K	355	K	295
L	28	L	23
z	12	z	12

Dimensions and weight without obligation

Project	Xylect-20303810	Created by		Last update	12/6/2024
Block	NSCS 200-315/750/L45VDC4 E4	Created on	12/6/2024		