

# NSCS 250-315/220/L65VDC4

## Technical data

Company name  
Contact  
Phone number  
e-mail address

Operating data				
1	Pumpe type	Single head pump	Fluid	Water, pure
2	No. of pumps	1	Operating temperature t A	°C 4
3	Nominal flow	m³/h 0	Max / Min Operating Temperature mech. Seal	°C 120 / -25
4	Nominal head	m 0	pH-value at t A	7
5	Static head	m 0	Density at t A	kg/m³ 1000
6	Inlet pressure	kPa 0	Kin. viscosity at t A	mm²/s 1.569
7	Environmental temperature	°C 20	Vapor pressure at t A	kPa 100
8	Available system NPSH	m 0	Altitude	0

Pump data				
9	Lubrication	42		
10	Execution	Standard Design (Type B)		
11	Design	Horizontal		
12	Operating speed	980 rpm	Stages	1
13	Suction nozzle	DN300 / PN16	/ EN1092-2	
14	Discharge nozzle	DN250 / PN16	/ EN1092-2	
15	Max. casing pressure	kPa	Impeller Ø	Max. mm 321
16	Max. working pressure	kPa 129.2		designed mm 310
17	Impeller type	Radial impeller		Min. mm 267
18	Head H(Q=0)	m 13	Flow	Nominal m³/h
19	Max. shaft power	kW 20.3		Max- m³/h 796
20	Pump weight	kg		Min- m³/h 177
21	Total weight	kg 498.4	Head	Nominal m
				at Qmax m 6.6
				at Qmin m 12.7
			Shaft power	kW
			Efficiency	%
			NPSH 3%	m

Materials				
Pump		Shaft Seal		
22			Single mechanical seal, without shaft sleeve	
23	Volute Casing	Ductile Iron, EN-GJS-400-15, ASTM A536 40-60-18		
24	Impeller	Cast Iron, EN 1561 - GJL-200, ASTM Class 30		eMG12 - Ø48mm BQ7EGG-WA
25	Casing Cover	Ductile Iron, EN-GJS-400-15, ASTM A536 40-60-18		Mechanical seal diameter 48 mm
26	Shaft	Stainless steel, 1.4057, AISI 431		1. Rotating ring Carbon graphite resin impregnated
27	Wear ring	Stainless steel, 1.4301, AISI 304		2. Stationary ring SiC, silicon carbide, sintered press.less
28	Impeller lock nut and washer	A4 (1.4401)		3. Secondary seal Ethylene propylene rubber (EPDM)
29	Impeller key	Stainless steel, 1.4571, AISI 316Ti		4. Springs CrNiMo - Steel
30	Fill and drain plugs	Galvanized carbon steel, EN 10277-3, AISI 1213 / 1215		5. Others EPDM - WRAS
31	Bearing bracket	Cast Iron, EN 1561 - GJL-250, ASTM Class 35		Gaskets of the pump Ethylene propylene rubber (EPDM)
32				
33				
34				
35				
36				
37				
38				
39				
40				
41				

Motor data				
Electrical and dimensional data refer to IE3 motor				
42	Manufacturer	Lowara		
43	Specific design	IE3 3ph Flange Motor - Premium Efficiency		
44	Type	3MAS 200 L B35 22 kW		
45	Rated power	22 kW	Rated current	43.7 A
46	Nominal speed	980 rpm	Rated voltage	400 V
47	Frame size	200 L	Service factor	1
48	Weight	kg 198.4	Degree of protection	IP55

Remarks				
49				
50				
50				
52				

# NSCS 250-315/220/L65VDC4

## Performance curve

Company name  
Contact  
Phone number  
e-mail address

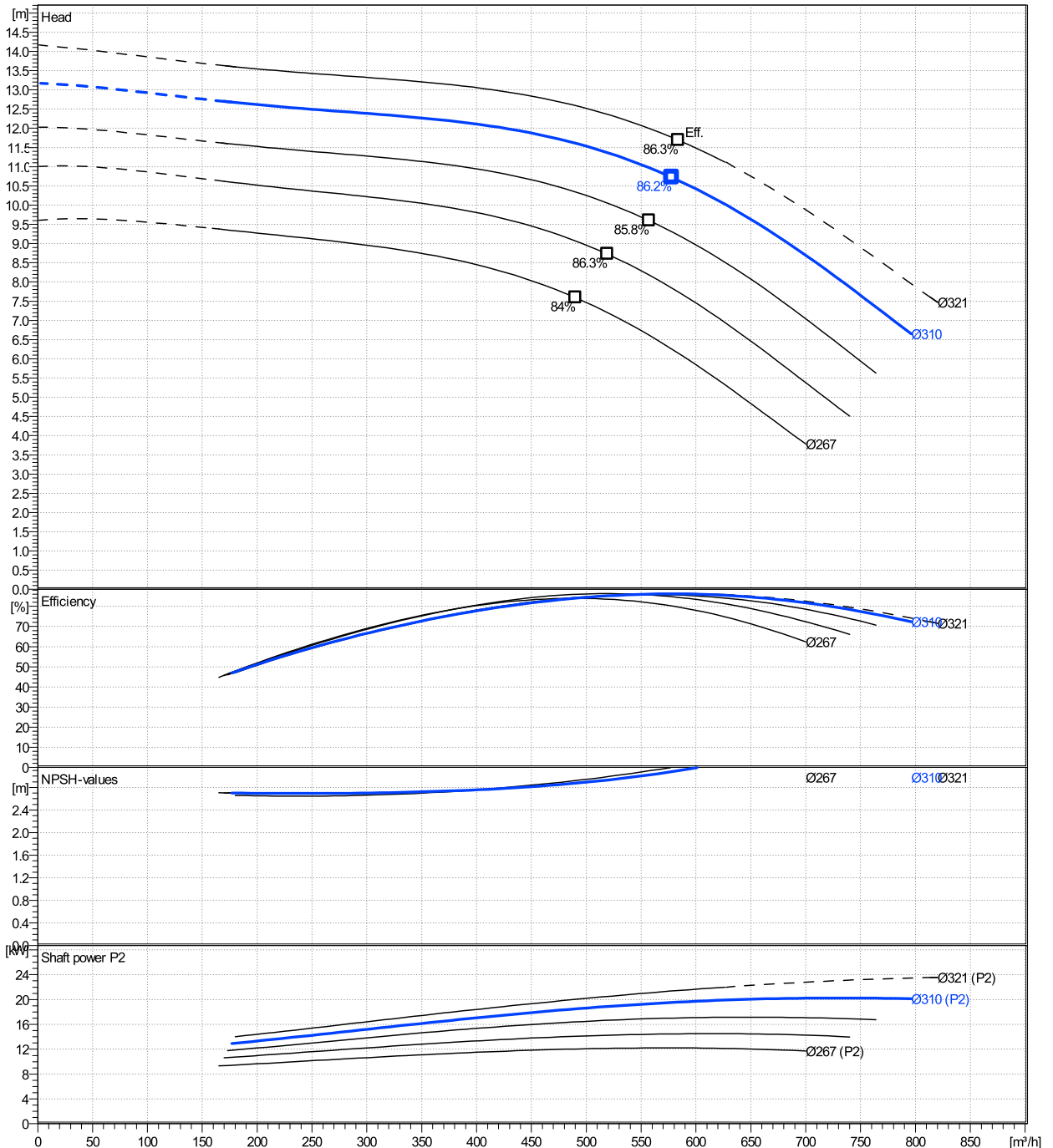
	Ø mm	Pump capacity η			Pump head η		Shaft power P2 η			Frequency	Hz	
		Min. m³/h	Max. m³/h	Max. m³/h	H(Q=0) m	Max. m	P2(Q=0) kW	Max. kW	Max. kW	Operating speed	rpm	
actual	310	177	796	578	13.2	10.7		20.3	19.5	Nominal flow	m³/h	0
Min.	0	/	/	490	9.6	7.59		/	/	Nominal head	m	0
Max.	321	/	/	584	14.2	11.7		/	21.5	Inlet pressure	kPa	0
										Static head	m	0

**Power datas referred to:**

hydr. Performance acceptance acc. To EN ISO 9906 Class Grade 2B

Water, pure [100%] ; 4°C; 1000kg/m³; 1.57mm²/s

MEI: 0,66 - according to Ecodesign Directive 2009/125/EC and Regulation (EU) No.547/2012



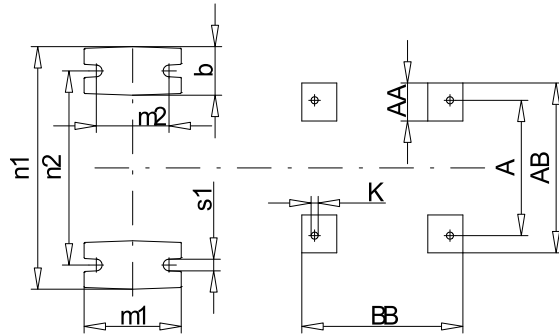
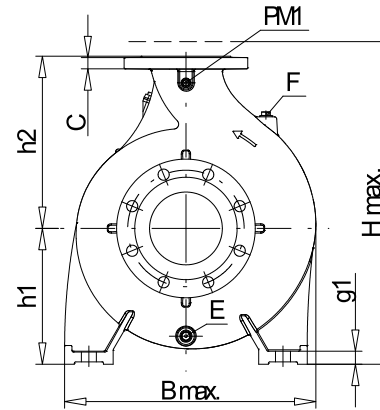
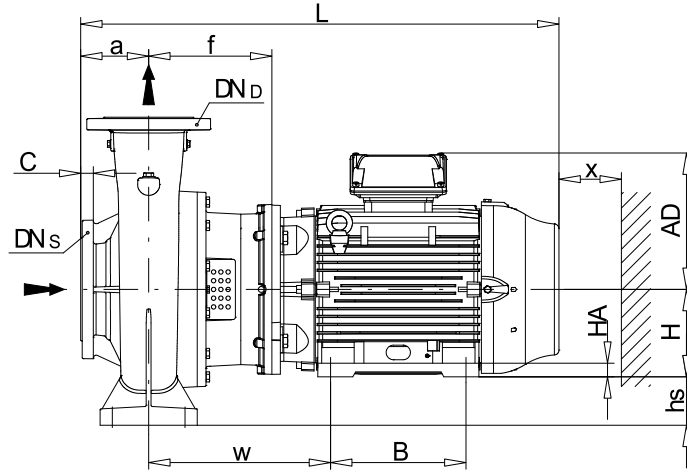
# NSCS 250-315/220/L65VDC4

## Dimensions

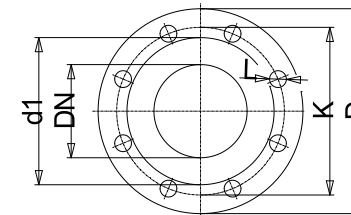
Company name  
Contact  
Phone number  
e-mail address

Blockpump  
Standard Design (Type B)  
3MAS 200 L B35 22 kW

Electrical and dimensional data refer to IE3 motor



PM1...Pressure gauge connector  
E...Drain  
F...Filling



Value C, D may vary from Standard

Dimensions [ mm ]			
a	250	L	1175
A	318	m1	300
AA	69	m2	250
AB	408	n1	710
AD	300	n2	600
b	110	P	400
B	305	PM1	1/2"
BB	355	s1	28
Bmax	767	Trim	0
CTO	0	Type	B
DNd	250	Volumen	0.8111
DNs	300	w	387
E	1/2"	x	200
F	-		
f	254		
g1	35		
H	200		
h1	400		
h2	500		
h3	0		
HA	27		
Hmax	900		
hs	200		
K	19		

Weight	
Total weight	498.4 kg

Connections			
<b>Suction nozzle</b>		<b>Discharge nozzle</b>	
DN300		DN250	
PN16		PN16	
EN1092-2		EN1092-2	
C	32	C	32
D	485	D	405
d1	370	d1	319
K	410	K	355
L	28	L	28
z	12	z	12

### Dimensions and weight without obligation

Project	Xylect-20260347	Created by		Last update	11/27/2024
Block	NSCS 250-315/750/L45VDC4 E4	Created on	11/27/2024		