

# NSCS 32-125/11/S25RCS4

## Technical data

Company name  
Contact  
Phone number  
e-mail address

Operating data						
1	Pumpe type	Single head pump		Fluid	Water, pure	
2	No. of pumps	1		Operating temperature t A	°C	4
3	Nominal flow	m <sup>3</sup> /h	0	Max / Min Operating Temperature mech. Seal	°C	120 / -25
4	Nominal head	m	0	pH-value at t A		7
5	Static head	m	0	Density at t A	kg/m <sup>3</sup>	1000
6	Inlet pressure	kPa	0	Kin. viscosity at t A	mm <sup>2</sup> /s	1.569
7	Environmental temperature	°C	20	Vapor pressure at t A	kPa	100
8	Available system NPSH	m	0	Altitude		0

Pump data								
9	Lubrication	Standard, Grease lubrication [Std]						
10	Execution	2 poles motor						
11	Design	Horizontal						
12	Operating speed	2900 rpm	Stages	1				
13	Suction nozzle	DN 50	/	PN 16	/ EN1092-2			
14	Discharge nozzle	DN 32	/	PN 16	/ EN1092-2			
15	Max. casing pressure	kPa		Impeller Ø	Max.	mm	145	
16	Max. working pressure	kPa	139		designed	mm	113	
17	Impeller type	Radial impeller			Flow	Min.	mm	113
18	Head H(Q=0)	m	14			Nominal	m <sup>3</sup> /h	
19	Max. shaft power	kW	1.1		Head	Max-	m <sup>3</sup> /h	25.6
20	Pump weight	kg				Min-	m <sup>3</sup> /h	6.3
21	Total weight	kg	33.0		Shaft power	Nominal	m	
						at Qmax	m	7.9
					Efficiency	at Qmin	m	14.4
					Shaft power	kW		
					Efficiency	%		
					NPSH 3%	m		

Materials						
22		Pump			Shaft Seal	
23	Volute Casing	Cast Iron			Single mechanical seal, without shaft sleeve	
24	Casing Cover	Cast Iron			eMG12 - Ø22mm	BQ7EGG-WA
25	Impeller	Fabricated Stainless Steel			Mechanical seal diameter	22 mm
26	Shaft	Stainless steel			1. Rotating ring	Carbon graphite resin impregnated
27	Wear ring	Stainless steel			2. Stationary ring	SiC, silicon carbide, sintered press.less
28	Impeller lock nut and washer	Stainless steel			3. Secondary seal	Ethylene propylene rubber (EPDM)
29	Impeller key	Stainless steel			4. Springs	CrNiMo - Steel
30	Fill and drain plugs	Stainless steel			5. Others	EPDM - WRAS
31					Gaskets of the pump	Ethylene propylene rubber (EPDM)
32						
33						
34						
35						
36						
37						
38						
39						
40						
41						

Motor data					
42	Manufacturer	Lowara			
43	Specific design	IE3 3ph Flange Motor - Premium Efficiency			
44	Type	SM 80 B5 1,1 kW			
45	Rated power	1.1 kW	Rated current	4.14 A	
46	Nominal speed	2870 rpm	Rated voltage	230 V	
47	Frame size	80	Service factor	1	
48	Weight	kg	10.1	Degree of protection	IP55

Remarks					
49					
50					
50					
52					

# NSCS 32-125/11/S25RCS4

## Performance curve

Company name  
Contact  
Phone number  
e-mail address

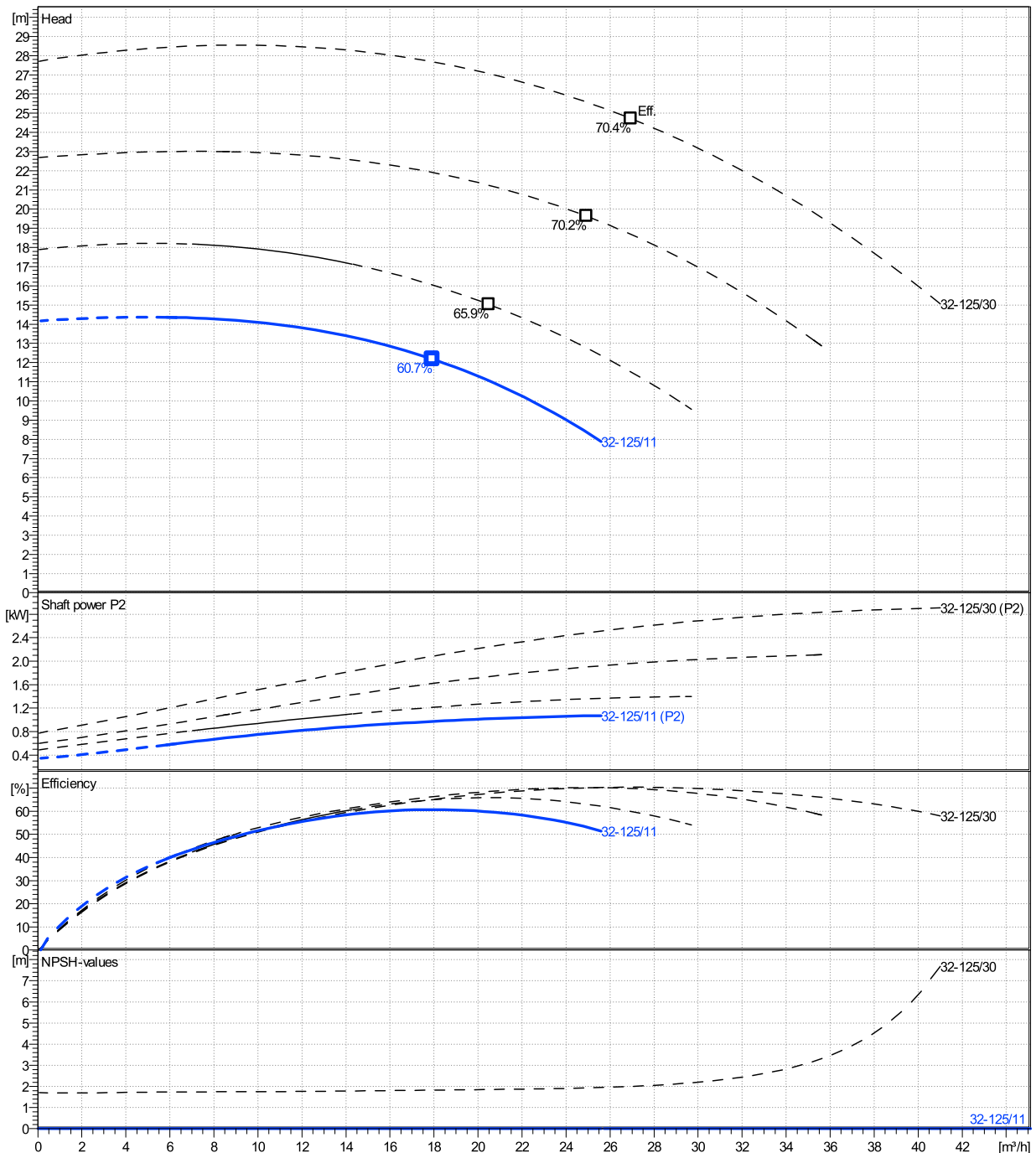
	Ø mm	Pump capacity			Pump head		Shaft power P2			Frequency	Hz	50
		Operating range Min. m³/h	Max. m³/h	η Max. m³/h	H(Q=0) m	η Max. m	P2(Q=0) kW	Max. kW	η Max. kW	Operating speed	rpm	2900
actual	113	6.3	25.6	17.9	14.2	12.2	1.07	0.973	Nominal flow	m³/h	0	
Min.	0	/	/	17.9	14.2	12.2	/	0.973	Nominal head	m	0	
Max.	145	/	/	27	27.7	24.7	/	2.57	Inlet pressure	kPa	0	
									Static head	m	0	

**Power datas referred to:**

hydr. Performance acceptance acc. To EN ISO 9906 Class Grade 3B

Water, pure [100%] ; 4°C; 1000kg/m³; 1.57mm²/s

MEI: >=0,4

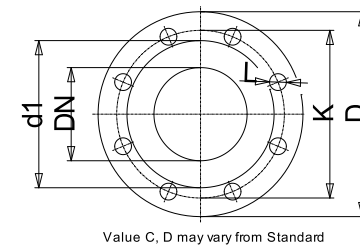
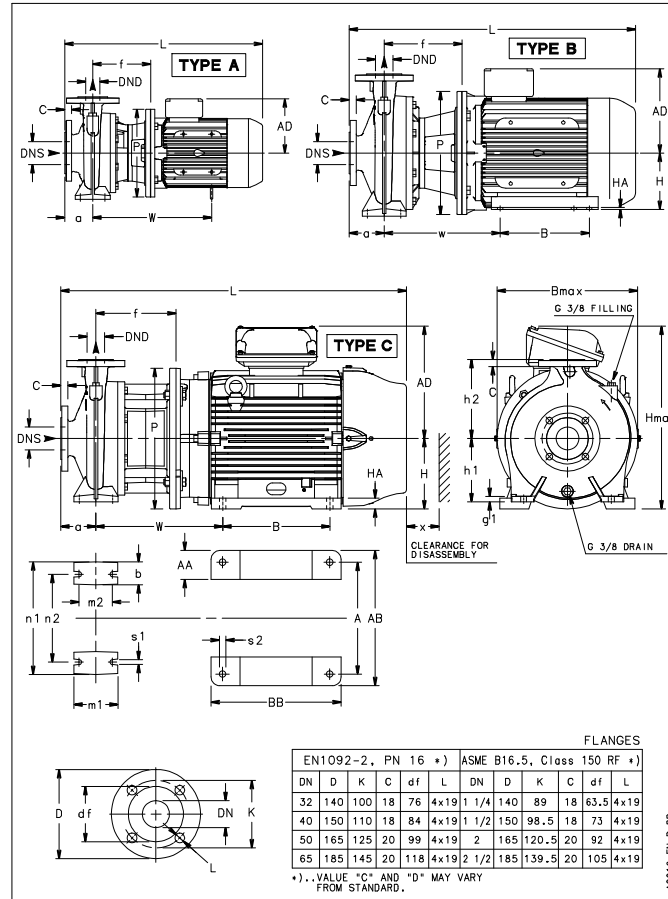


# NSCS 32-125/11/S25RCS4

## Dimensions

Company name  
Contact  
Phone number  
e-mail address

Blockpump  
2 poles motor  
SM 80 B5 1,1 kW



### Dimensions [ mm ]

a	80
AD	139
b	50
Bmax	242
DNd	32
DNs	50
f	155
g1	14
h1	112
h2	140
Hmax	252
L	498
m1	100
m2	70
n1	190
n2	140
s1	14
Type	A
Volumen	0.03037
w	290
x	86

### Weight

<b>Total weight</b>	<b>33 kg</b>
---------------------	--------------

### Connections

Suction nozzle		Discharge nozzle	
DN 50		DN 32	
PN 16		PN 16	
EN1092-2		EN1092-2	
C	20	C	18
D	165	D	140
df	99	df	76
DN	50	DN	32
K	125	K	100
L	4 x 19	L	4 x 19

### Dimensions and weight without obligation

Project	Xylect-20303810
Block	NSCS 32-125/30/P25RCS4

Created by  
Created on 12/6/2024

Last update 12/6/2024