

NSCS 32-125/15/S25RCS4

Technical data

Company name
Contact
Phone number
e-mail address

Operating data					
1	Pumpe type	Single head pump		Fluid	Water, pure
2	No. of pumps	1		Operating temperature t A	°C 4
3	Nominal flow	m³/h	0	Max / Min Operating Temperature mech. Seal	°C 120 / -25
4	Nominal head	m	0	pH-value at t A	7
5	Static head	m	0	Density at t A	kg/m³ 1000
6	Inlet pressure	kPa	0	Kin. viscosity at t A	mm²/s 1.569
7	Environmental temperature	°C	20	Vapor pressure at t A	kPa 100
8	Available system NPSH	m	0	Altitude	0

Pump data					
9	Lubrication	Standard, Grease lubrication [Std]			
10	Execution	2 poles motor			
11	Design	Horizontal			
12	Operating speed	2900 rpm	Stages	1	
13	Suction nozzle	DN 50	/	PN 16	/ EN1092-2
14	Discharge nozzle	DN 32	/	PN 16	/ EN1092-2
15	Max. casing pressure	kPa			
16	Max. working pressure	kPa	175.5		
17	Impeller type	Radial impeller			
18	Head H(Q=0)	m	18		
19	Max. shaft power	kW	1.4		
20	Pump weight	kg			
21	Total weight	kg	34.0		

					Impeller Ø	
					Max.	mm
					designed	mm 145
					Min.	mm 123
					Nominal	m³/h 113
				Flow	Max-	m³/h 29.7
					Min-	m³/h 7.3
				Head	Nominal	m
					at Qmax	m 9.6
					at Qmin	m 18.2
				Shaft power	kW	
				Efficiency	%	
				NPSH 3%	m	

Materials					
22		Pump		Shaft Seal	
23	Volute Casing	Cast Iron		Single mechanical seal, without shaft sleeve	
24	Casing Cover	Cast Iron		eMG12 - Ø22mm	BQ7EGG-WA
25	Impeller	Fabricated Stainless Steel		Mechanical seal diameter	22 mm
26	Shaft	Stainless steel		1. Rotating ring	Carbon graphite resin impregnated
27	Wear ring	Stainless steel		2. Stationary ring	SiC, silicon carbide, sintered press.less
28	Impeller lock nut and washer	Stainless steel		3. Secondary seal	Ethylene propylene rubber (EPDM)
29	Impeller key	Stainless steel		4. Springs	CrNiMo - Steel
30	Fill and drain plugs	Stainless steel		5. Others	EPDM - WRAS
31				Gaskets of the pump	Ethylene propylene rubber (EPDM)
32					
33					
34					
35					
36					
37					
38					
39					
40					
41					

Motor data					
42	Manufacturer	Lowara			
43	Specific design	IE3 3ph Flange Motor - Premium Efficiency			
44	Type	SM 90R B5 1,5 kW			
45	Rated power	1.5 kW	Rated current	5.49 A	
46	Nominal speed	2870 rpm	Rated voltage	230 V	
47	Frame size	90R	Service factor	1	
48	Weight	kg 11.9	Degree of protection	IP55	

Remarks					
49					
50					
50					
52					

NSCS 32-125/15/S25RCS4

Performance curve

Company name
Contact
Phone number
e-mail address

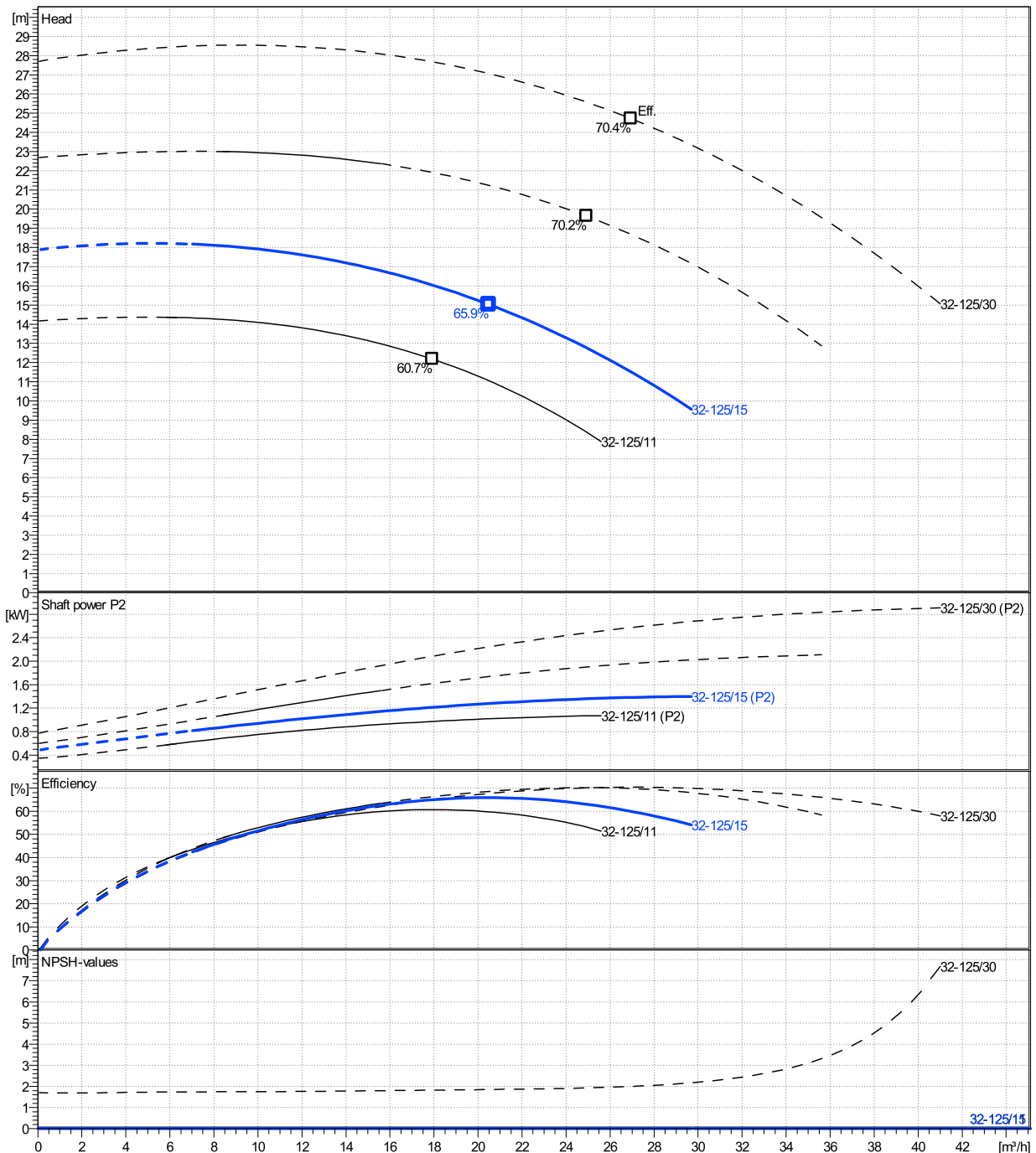
	Ø mm	Pump capacity Operating range			Pump head		Shaft power P2			Frequency		Hz	50
		Min. m³/h	Max. m³/h	η Max. m³/h	H(Q=0) m	η Max. m	P2(Q=0) kW	Max. kW	η Max. kW	Operating speed	rpm		
actual	123	7.3	29.7	20.5	17.9	15	1.4	1.28	0.973	Nominal flow	m³/h	0	
Min.	0	/	/	17.9	14.2	12.2	/	0.973		Nominal head	m	0	
Max.	145	/	/	27	27.7	24.7	/	2.57		Inlet pressure	kPa	0	
										Static head	m	0	

Power datas referred to:

hydr. Performance acceptance acc. To EN ISO 9906 Class Grade 3B

Water, pure [100%] ; 4°C; 1000kg/m³; 1.57mm²/s

MEI: >=0,4

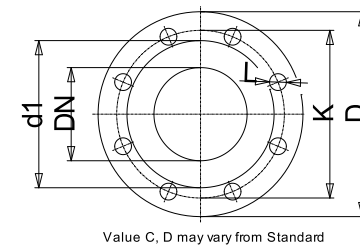
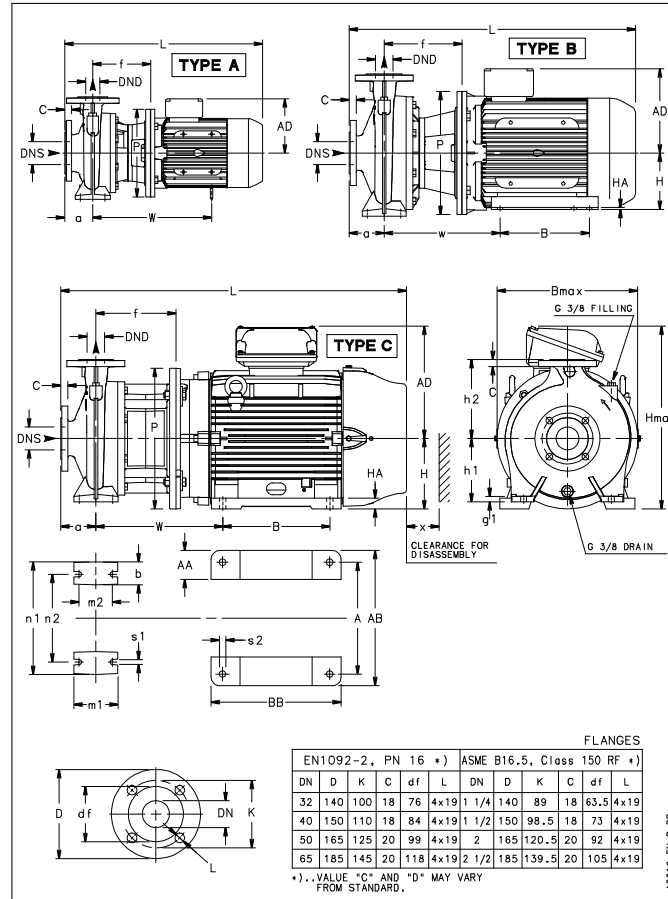


NSCS 32-125/15/S25RCS4

Dimensions

Company name
Contact
Phone number
e-mail address

Blockpump
2 poles motor
SM 90R B5 1,5 kW



Value C, D may vary from Standard

Dimensions [mm]

a	80
AD	139
b	50
Bmax	242
DNd	32
DNs	50
f	155
g1	14
h1	112
h2	140
Hmax	252
L	498
m1	100
m2	70
n1	190
n2	140
P	200
s1	14
Type	A
Volumen	0.03037
w	290
w	300
x	86

Weight

Total weight	34 kg
---------------------	--------------

Connections

Suction nozzle		Discharge nozzle	
DN 50		DN 32	
PN 16		PN 16	
EN1092-2		EN1092-2	
C	20	C	18
D	165	D	140
df	99	df	76
DN	50	DN	32
K	125	K	100
L	4 x 19	L	4 x 19

Dimensions and weight without obligation

Project	Xylect-20303810
Block	NSCS 32-125/30/P25RCS4

Created by
Created on 12/6/2024

Last update 12/6/2024