

NSCS 32-125/30/P25RCS4

Technical data

Company name
Contact
Phone number
e-mail address

Operating data						
1	Pumpe type	Single head pump		Fluid	Water, pure	
2	No. of pumps	1		Operating temperature t A	°C	4
3	Nominal flow	m ³ /h	0	Max / Min Operating Temperature mech. Seal	°C	120 / -25
4	Nominal head	m	0	pH-value at t A		7
5	Static head	m	0	Density at t A	kg/m ³	1000
6	Inlet pressure	kPa	0	Kin. viscosity at t A	mm ² /s	1.569
7	Environmental temperature	°C	20	Vapor pressure at t A	kPa	100
8	Available system NPSH	m	0	Altitude		0

Pump data									
9	Lubrication	Standard, Grease lubrication [Std]							
10	Execution	2 poles motor							
11	Design	Horizontal							
12	Operating speed	2900 rpm	Stages	1					
13	Suction nozzle	DN 50	/	PN 16	/ EN1092-2				
14	Discharge nozzle	DN 32	/	PN 16	/ EN1092-2				
15	Max. casing pressure	kPa		Impeller Ø	Max.	mm	145		
16	Max. working pressure	kPa	271.8		designed	mm	145		
17	Impeller type	Radial impeller				Flow	Min.	mm	113
18	Head H(Q=0)	m	28		Nominal		m ³ /h		
19	Max. shaft power	kW	2.9		Head	Max-	m ³ /h	41	
20	Pump weight	kg				Min-	m ³ /h	10	
21	Total weight	kg	40.4		Shaft power	Nominal	m		
						at Qmax	m	15.1	
					Efficiency	at Qmin	m	28.5	
					Shaft power	kW			
					Efficiency	%			
					NPSH 3%	m			

Materials						
Pump			Shaft Seal			
22				Single mechanical seal, without shaft sleeve		
23	Volute Casing	Cast Iron		eMG12 - Ø22mm	BQ7EGG-WA	
24	Casing Cover	Cast Iron		Mechanical seal diameter	22 mm	
25	Impeller	Fabricated Stainless Steel		1. Rotating ring	Carbon graphite resin impregnated	
26	Shaft	Stainless steel		2. Stationary ring	SiC, silicon carbide, sintered press.less	
27	Wear ring	Stainless steel		3. Secondary seal	Ethylene propylene rubber (EPDM)	
28	Impeller lock nut and washer	Stainless steel		4. Springs	CrNiMo - Steel	
29	Impeller key	Stainless steel		5. Others	EPDM - WRAS	
30	Fill and drain plugs	Stainless steel		Gaskets of the pump	Ethylene propylene rubber (EPDM)	
31						
32						
33						
34						
35						
36						
37						
38						
39						
40						
41						

Motor data					
Electrical and dimensional data refer to IE3 motor					
42	Manufacturer	Lowara			
43	Specific design	IE3 3ph Flange Motor - Premium Efficiency			
44	Type	PLM 100R B5 3 kW			
45	Rated power	3 kW	Rated current	11 A	
46	Nominal speed	2865 rpm	Rated voltage	230 V	
47	Frame size	100R	Service factor	1	
48	Weight	kg 22.0	Degree of protection	IP55	

Remarks					
49					
50					
50					
52					

Project	Xylect-20303810	Created by		Last update	12/6/2024
Block	NSCS 32-125/30/P25RCS4	Created on	12/6/2024		

NSCS 32-125/30/P25RCS4

Performance curve

Company name
Contact
Phone number
e-mail address

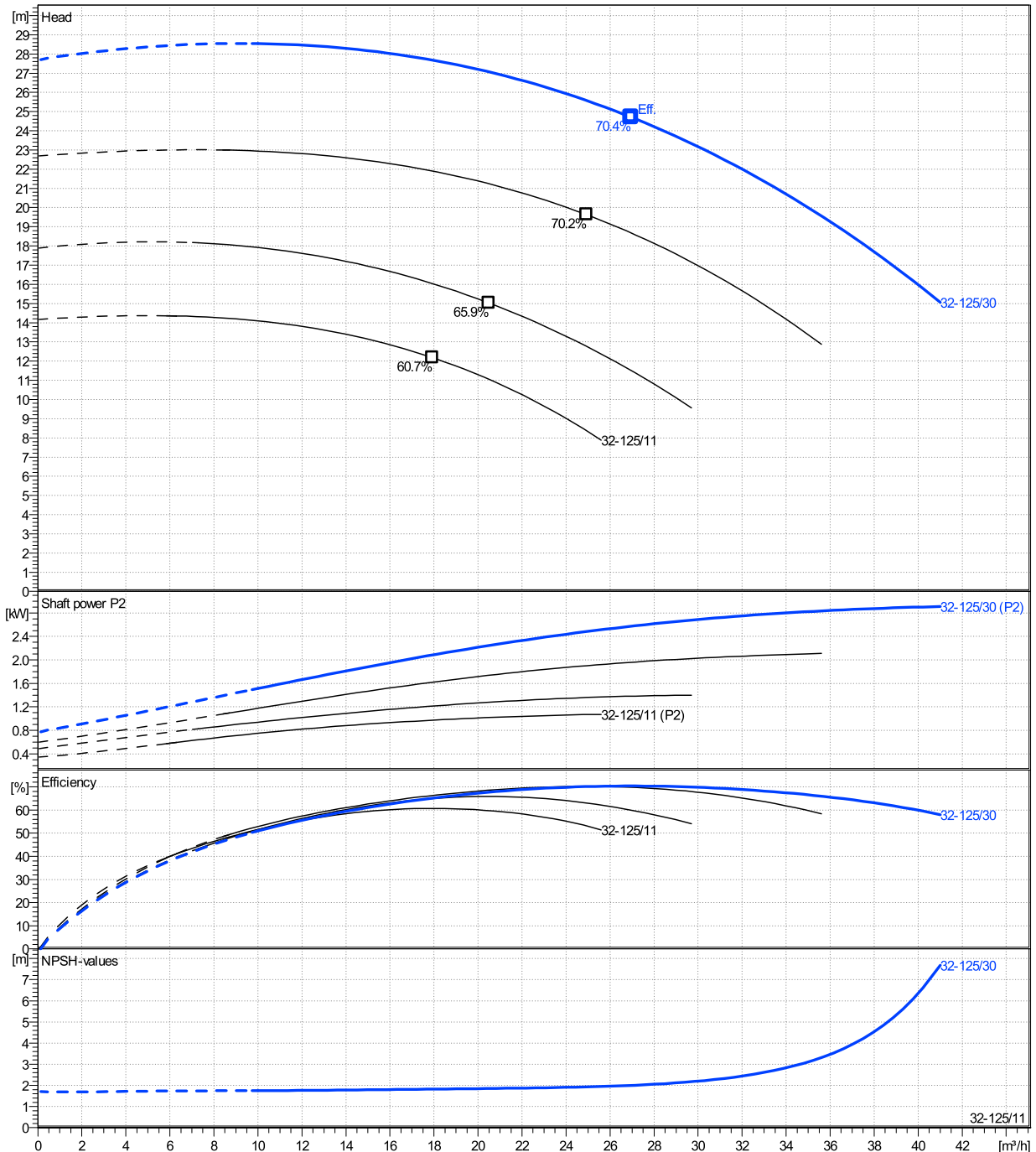
	Ø mm	Pump capacity Operating range			Pump head		Shaft power P2			Frequency	Hz	50
		Min. m³/h	Max. m³/h	η Max. m³/h	H(Q=0) m	η Max. m	P2(Q=0) kW	Max. kW	η Max. kW	Operating speed	rpm	2900
actual	145	10	41	27	27.7	24.7	2.91	2.57		Nominal flow	m³/h	0
Min.	0	/	/	17.9	14.2	12.2	/	0.973		Nominal head	m	0
Max.	145	/	/	27	27.7	24.7	/	2.57		Inlet pressure	kPa	0
										Static head	m	0

Power datas referred to:

hydr. Performance acceptance acc. To EN ISO 9906 Class Grade 3B

Water, pure [100%] ; 4°C; 1000kg/m³; 1.57mm²/s

MEI: >=0,4



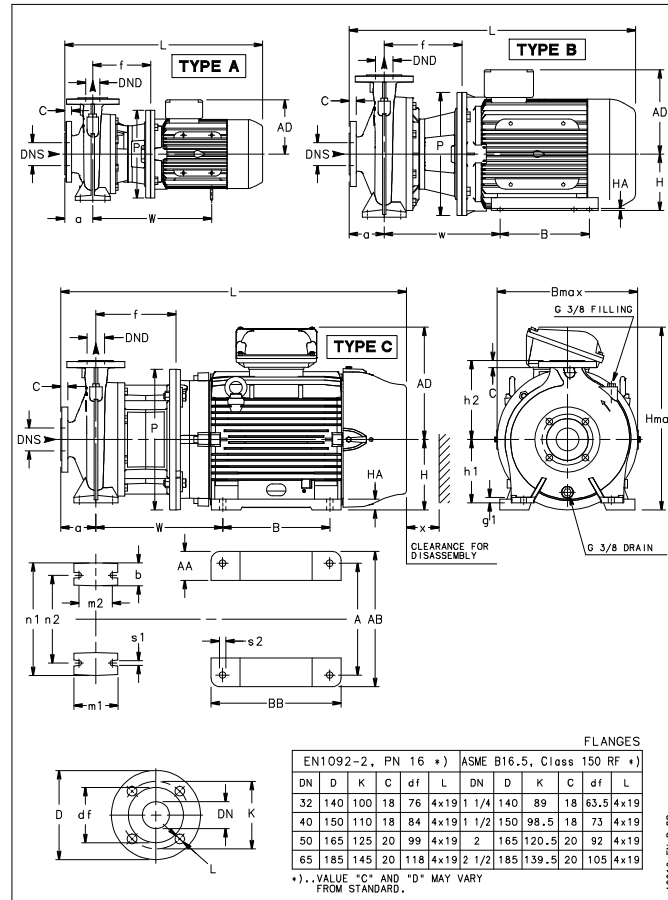
NSCS 32-125/30/P25RCS4

Dimensions

Company name
Contact
Phone number
e-mail address

Blockpump
2 poles motor
PLM 100R B5 3 kW

Electrical and dimensional data refer to IE3 motor



Dimensions [mm]

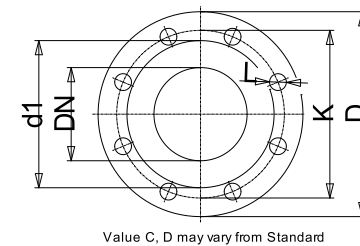
a	80
AD	134
b	50
Bmax	250
DNd	32
DNs	50
f	165
g1	14
h1	112
h2	140
Hmax	252
L	543
m1	100
m2	70
n1	190
n2	140
P	250
s1	14
Type	A
Volumen	0.033114
w	310
x	86

Weight

Total weight	40.4 kg
---------------------	----------------

Connections

Suction nozzle		Discharge nozzle	
DN 50		DN 32	
PN 16		PN 16	
EN1092-2		EN1092-2	
C	20	C	18
D	165	D	140
df	99	df	76
DN	50	DN	32
K	125	K	100
L	4 x 19	L	4 x 19



Value C, D may vary from Standard

Dimensions and weight without obligation

Project	Xylect-20303810
Block	NSCS 32-125/30/P25RCS4

Created by
Created on 12/6/2024

Last update 12/6/2024