

# NSCS 40-125/05/X45RCS4

## Technical data

Company name  
Contact  
Phone number  
e-mail address

Operating data			
1	Pumpe type	Single head pump	Fluid Water, pure
2	No. of pumps	1	Operating temperature t A °C 4
3	Nominal flow	m <sup>3</sup> /h 0	Max / Min Operating Temperature mech. Seal °C 120 / -25
4	Nominal head	m 0	pH-value at t A 7
5	Static head	m 0	Density at t A kg/m <sup>3</sup> 1000
6	Inlet pressure	kPa 0	Kin. viscosity at t A mm <sup>2</sup> /s 1.569
7	Environmental temperature	°C 20	Vapor pressure at t A kPa 100
8	Available system NPSH	m 0	Altitude 0

Pump data			
9	Lubrication	Standard, Grease lubrication [Std]	
10	Execution	4 poles motor	
11	Design	Horizontal	
12	Operating speed	1450 rpm	Stages 1
13	Suction nozzle	DN 65 / PN 16 / EN1092-2	Impeller Ø
14	Discharge nozzle	DN 40 / PN 16 / EN1092-2	
15	Max. casing pressure	kPa	Flow
16	Max. working pressure	kPa 63.8	
17	Impeller type	Radial impeller	
18	Head H(Q=0)	m 6.5	Head
19	Max. shaft power	kW .5	
20	Pump weight	kg	Shaft power kW
21	Total weight	kg 31.0	
			Efficiency %
			NPSH 3% m

Materials			
22		<b>Pump</b>	<b>Shaft Seal</b>
23	Volute Casing	Cast Iron	Single mechanical seal, without shaft sleeve
24	Casing Cover	Cast Iron	eMG12 - Ø22mm BQ7EGG-WA
25	Impeller	Fabricated Stainless Steel	Mechanical seal diameter 22 mm
26	Shaft	Stainless steel	1. Rotating ring Carbon graphite resin impregnated
27	Wear ring	Stainless steel	2. Stationary ring SiC, silicon carbide, sintered press.less
28	Impeller lock nut and washer	Stainless steel	3. Secondary seal Ethylene propylene rubber (EPDM)
29	Impeller key	Stainless steel	4. Springs CrNiMo - Steel
30	Fill and drain plugs	Stainless steel	5. Others EPDM - WRAS
31			Gaskets of the pump Ethylene propylene rubber (EPDM)
32			
33			
34			
35			
36			
37			
38			
39			
40			
41			

Motor data			
42	Manufacturer	Xylem	
43	Specific design	IE2 3ph Flange Motor - Premium Efficiency	
44	Type	LLM480B5/305	
45	Rated power	0.55 kW	Rated current 1.35 A
46	Nominal speed	1420 rpm	Rated voltage 400 V
47	Frame size	80	Service factor 1
48	Weight	kg 8.2	Degree of protection IP55

Remarks	
49	
50	
50	
52	

# NSCS 40-125/05/X45RCS4

## Performance curve

Company name  
Contact  
Phone number  
e-mail address

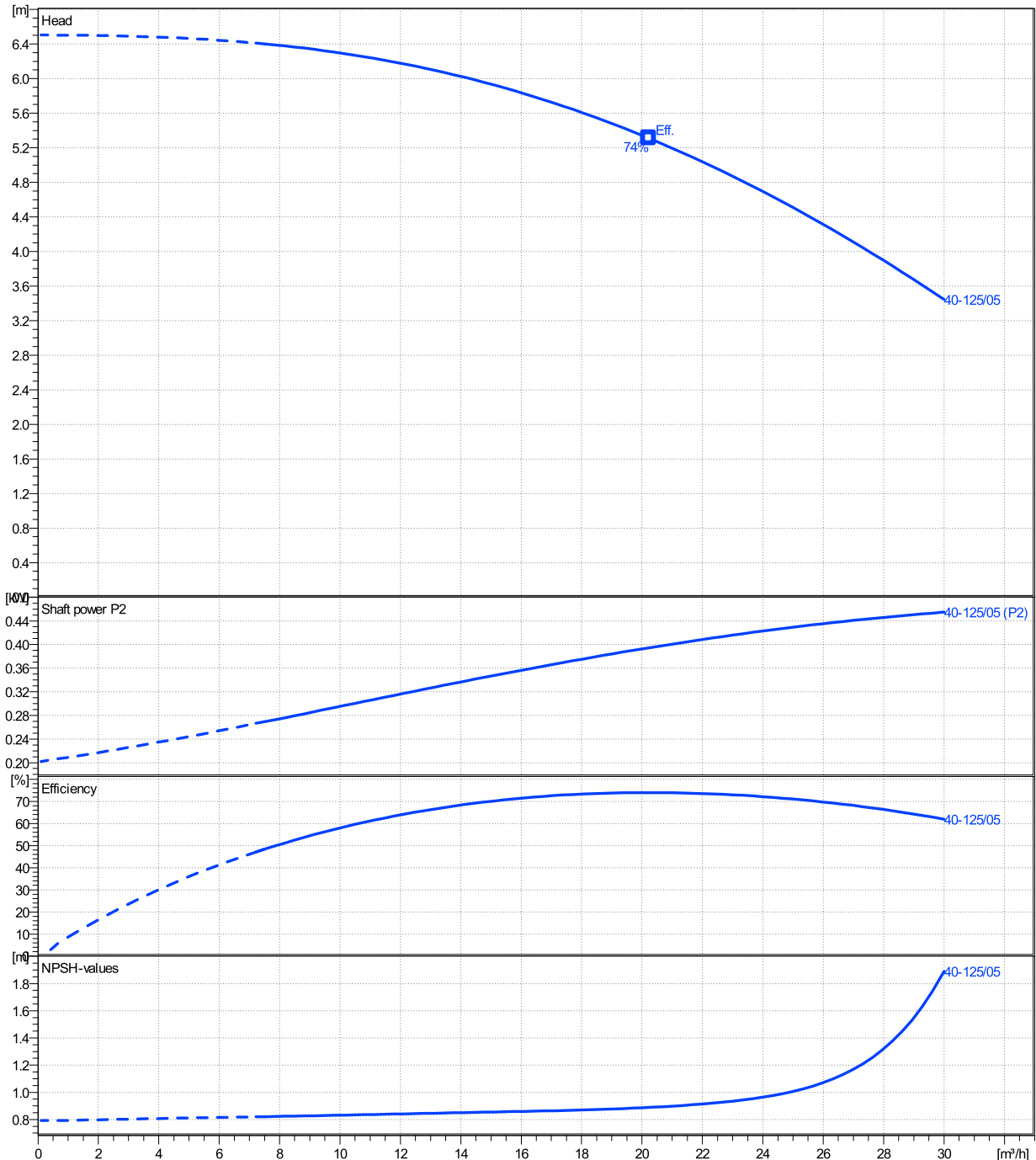
	Ø mm	Pump capacity			Pump head		Shaft power P2			Frequency	Hz	50
		Operating range Min. m³/h	Max. m³/h	η Max. m³/h	H(Q=0) m	η Max. m	P2(Q=0) kW	Max. kW	η Max. kW	Operating speed	rpm	1450
actual	135	7.5	30	20.2	6.5	5.31		0.455	0.394	Nominal flow	m³/h	0
Min.	0	/	/	20.2	6.5	5.31		/	0.394	Nominal head	m	0
Max.	135	/	/	20.2	6.5	5.31		/	0.394	Inlet pressure	kPa	0
										Static head	m	0

**Power datas referred to:**

hydr. Performance acceptance acc. To EN ISO 9906 Class Grade 3B

Water, pure [100%] ; 4°C; 1000kg/m³; 1.57mm²/s

MEI: >=0,4

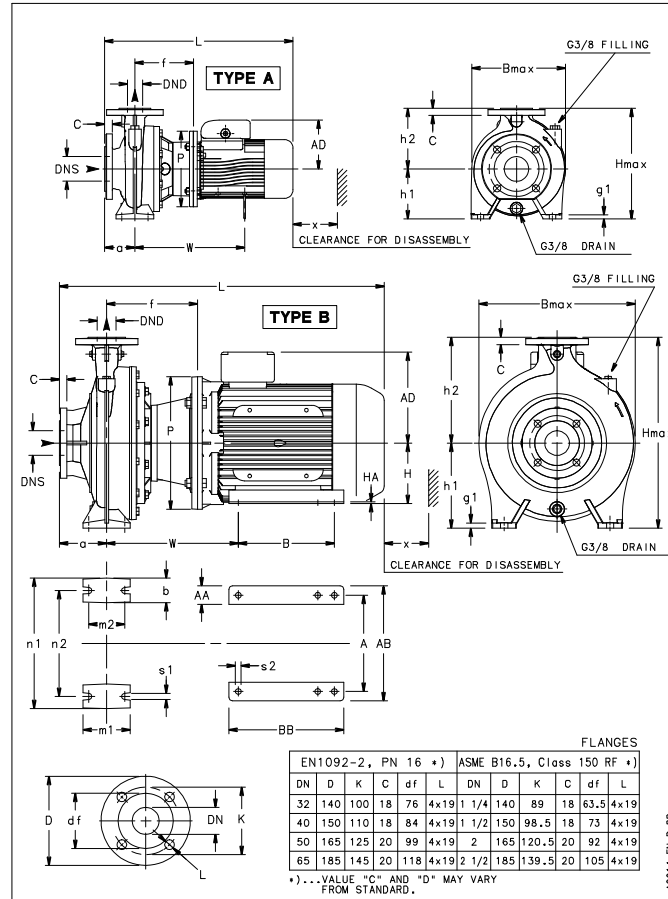


# NSCS 40-125/05/X45RCS4

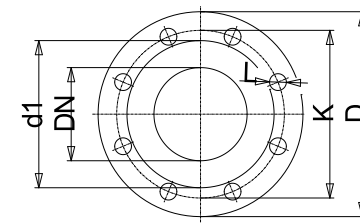
## Dimensions

Company name  
Contact  
Phone number  
e-mail address

Blockpump  
4 poles motor  
LLM480B5/305



A0014-ENL\_B\_DD



Value C, D may vary from Standard

### Dimensions [ mm ]

a	80
AD	128
b	50
Bmax	237
DNd	40
DNs	65
f	155
g1	14
h1	112
h2	140
Hmax	252
L	466
m1	100
m2	70
n1	210
n2	160
P	200
s1	14
Type	A
Volumen	0.029358
w	0
x	96

### Weight

<b>Total weight</b>	<b>31 kg</b>
---------------------	--------------

### Connections

Suction nozzle		Discharge nozzle	
DN 65		DN 40	
PN 16		PN 16	
EN1092-2		EN1092-2	
C	20	C	18
D	185	D	150
df	118	df	84
DN	65	DN	40
K	145	K	110
L	4 x 19	L	4 x 19

### Dimensions and weight without obligation

<b>Project</b>	Xylect-20303810
<b>Block</b>	NSCS 40-125/40/P25VCS4

Created by  
Created on 12/6/2024

Last update 12/6/2024