

NSCS 40-125/22/P25RCS4

Performance curve

Company name
Contact
Phone number
e-mail address

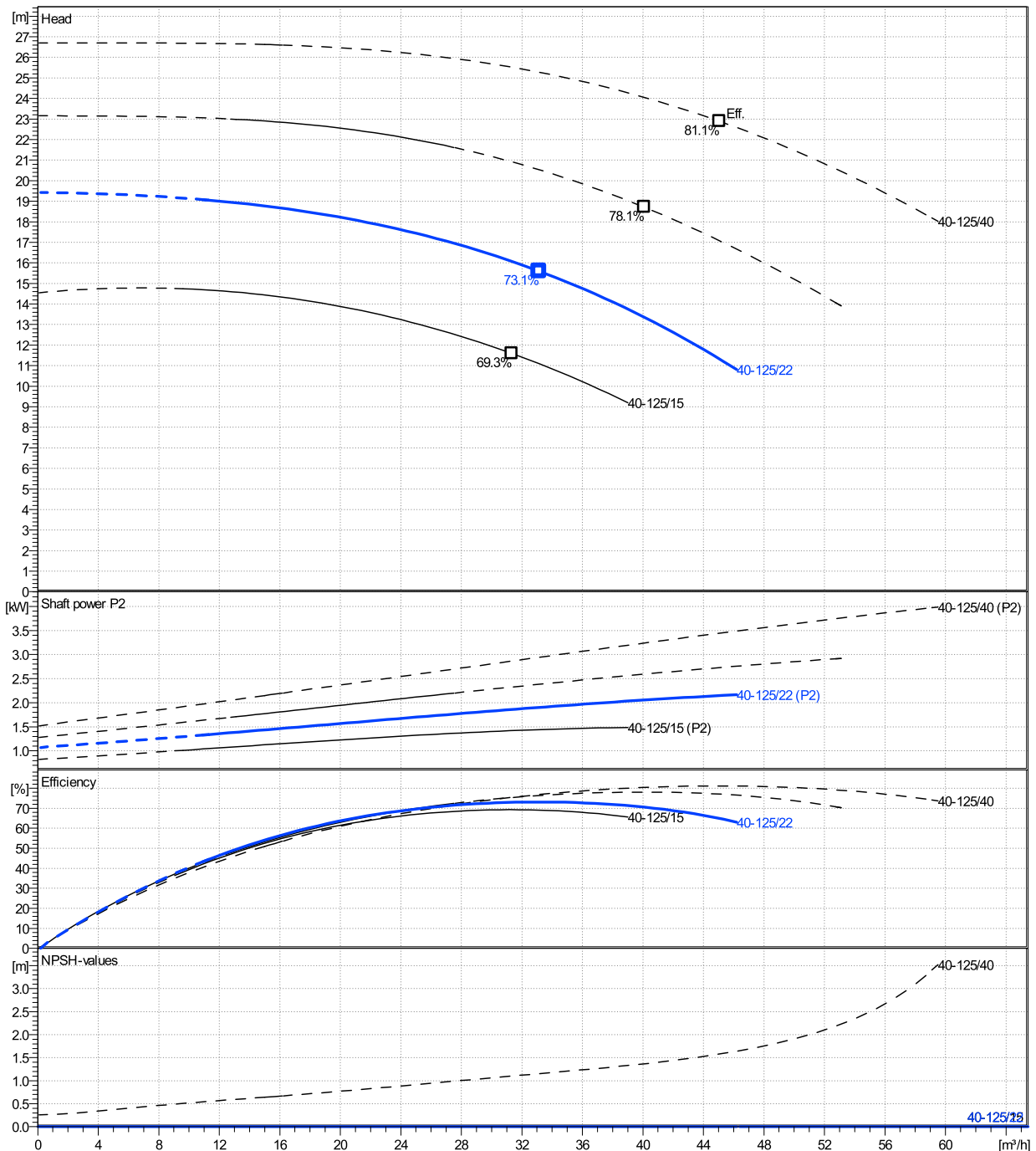
	Ø mm	Pump capacity			Pump head		Shaft power P2			Frequency	Hz	50
		Min. m³/h	Max. m³/h	η Max. m³/h	H(Q=0) m	η Max. m	P2(Q=0) kW	Max. kW	η Max. kW	Operating speed	rpm	2900
actual	118	11.3	46.2	33.1	19.4	15.6	2.17	1.9		Nominal flow	m³/h	0
Min.	0	/	/	31.3	14.5	11.6	/	1.42		Nominal head	m	0
Max.	135	/	/	45.1	26.7	22.9	/	3.44		Inlet pressure	kPa	0
										Static head	m	0

Power datas referred to:

hydr. Performance acceptance acc. To EN ISO 9906 Class Grade 3B

Water, pure [100%] ; 4°C; 1000kg/m³; 1.57mm²/s

MEI: >=0,4



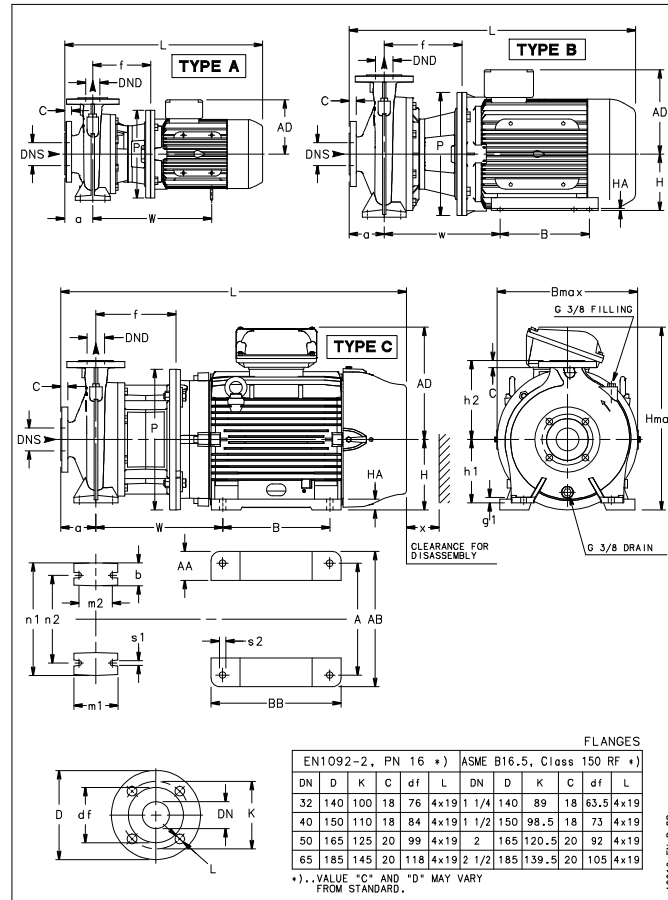
NSCS 40-125/22/P25RCS4

Dimensions

Company name
Contact
Phone number
e-mail address

Blockpump
2 poles motor
PLM 90 B5 2,2 kW

Electrical and dimensional data refer to IE3 motor



Dimensions [mm]

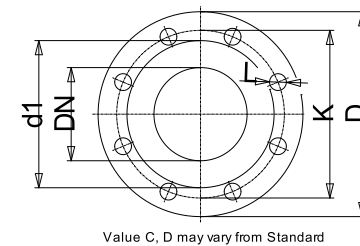
a	80
AD	151
b	50
Bmax	237
DNd	40
DNs	65
f	155
g1	14
h1	112
h2	140
Hmax	263
L	533
m1	100
m2	70
n1	210
n2	160
P	200
s1	14
Type	A
Volumen	0.035045
w	300
x	96

Weight

Total weight	41 kg
---------------------	--------------

Connections

Suction nozzle		Discharge nozzle	
DN 65		DN 40	
PN 16		PN 16	
EN1092-2		EN1092-2	
C	20	C	18
D	185	D	150
df	118	df	84
DN	65	DN	40
K	145	K	110
L	4 x 19	L	4 x 19



Dimensions and weight without obligation

Project	Xylect-20303810
Block	NSCS 40-125/40/P25VCS4

Created by
Created on 12/6/2024

Last update 12/6/2024