

NSCS 40-160/40/P25VCS4

Performance curve

Company name
Contact
Phone number
e-mail address

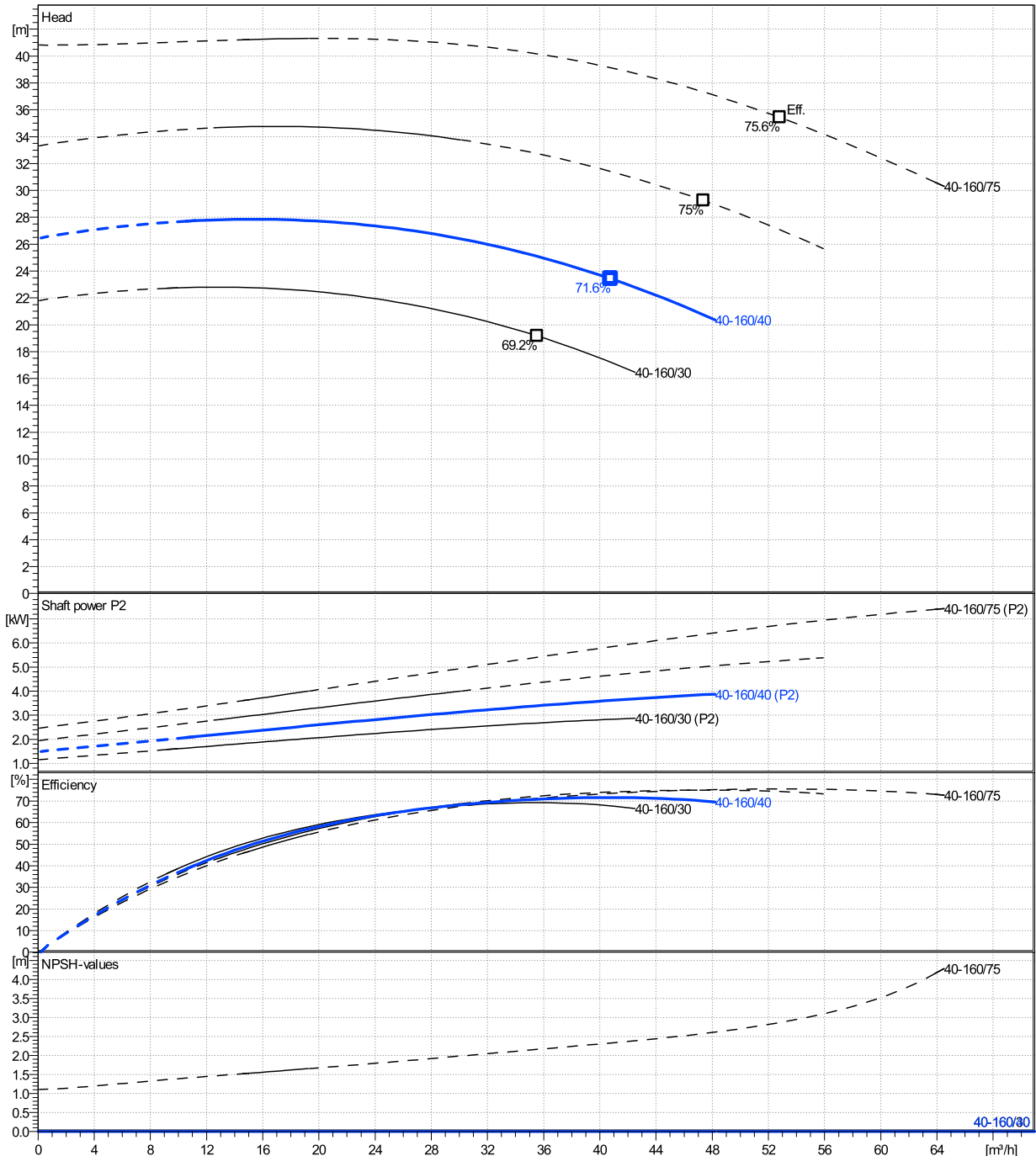
	Ø mm	Pump capacity			Pump head		Shaft power P2			Frequency	Hz	50
		Operating range Min. m³/h	Max. m³/h	η Max. m³/h	H(Q=0) m	η Max. m	P2(Q=0) kW	Max. kW	η Max. kW	Operating speed	rpm	2900
actual	139	11.2	48.2	40.8	26.4	23.4		3.88	3.61	Nominal flow	m³/h	0
Min.	0	/	/	35.5	21.8	19.2		/	2.68	Nominal head	m	0
Max.	165	/	/	52.8	40.8	35.4		/	6.74	Inlet pressure	kPa	0
										Static head	m	0

Power datas referred to:

hydr. Performance acceptance acc. To EN ISO 9906 Class Grade 3B

Water, pure [100%] ; 4°C; 1000kg/m³; 1.57mm²/s

MEI: >=0,4



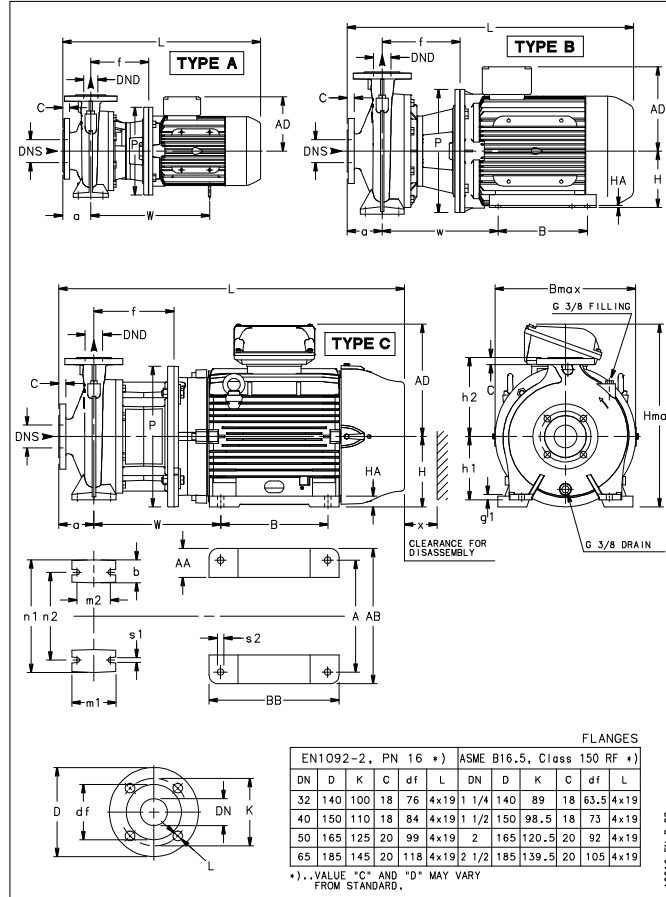
NSCS 40-160/40/P25VCS4

Dimensions

Company name
Contact
Phone number
e-mail address

Blockpump
2 poles motor
PLM 112R B5 4 kW

Electrical and dimensional data refer to IE3 motor



Dimensions [mm]

a	80
AD	154
b	50
Bmax	250
DNd	40
DNs	65
f	165
g1	14
h1	132
h2	160
Hmax	292
L	564
m1	100
m2	70
n1	240
n2	190
P	250
s1	14
Type	A
Volumen	0.041172
w	338
x	92

Weight

Total weight	46.6 kg
---------------------	----------------

Connections

Suction nozzle		Discharge nozzle	
DN 65		DN 40	
PN 16		PN 16	
EN1092-2		EN1092-2	
C	20	C	18
D	185	D	150
df	118	df	84
DN	65	DN	40
K	145	K	110
L	4 x 19	L	4 x 19

Dimensions and weight without obligation

Project	Xylect-20255621
Block	NSCS 40-160/75/P25VCS4

Created by
Created on 11/26/2024

Last update 11/26/2024