

NSCS 40-200/15/P45RCS4

Technical data

Company name
Contact
Phone number
e-mail address

Operating data						
1	Pumpe type	Single head pump		Fluid	Water, pure	
2	No. of pumps	1		Operating temperature t A	°C	4
3	Nominal flow	m³/h	0	Max / Min Operating Temperature mech. Seal	°C	120 / -25
4	Nominal head	m	0	pH-value at t A		7
5	Static head	m	0	Density at t A	kg/m³	1000
6	Inlet pressure	kPa	0	Kin. viscosity at t A	mm²/s	1.569
7	Environmental temperature	°C	20	Vapor pressure at t A	kPa	100
8	Available system NPSH	m	0	Altitude		0

Pump data						
9	Lubrication	Standard, Grease lubrication [Std]				
10	Execution	4 poles motor				
11	Design	Horizontal				Impeller Ø
12	Operating speed	1450 rpm	Stages	1		
13	Suction nozzle	DN 65	/	PN 16	/	EN1092-2
14	Discharge nozzle	DN 40	/	PN 16	/	EN1092-2
15	Max. casing pressure	kPa				Flow
16	Max. working pressure	kPa	137.7			
17	Impeller type	Radial impeller				Head
18	Head H(Q=0)	m	14			
19	Max. shaft power	kW	1.4			Shaft power
20	Pump weight	kg				Efficiency
21	Total weight	kg	51.0			NPSH 3%

Materials						
22		Pump			Shaft Seal	
23	Volute Casing	Cast Iron			Single mechanical seal, without shaft sleeve	
24	Casing Cover	Cast Iron			eMG12 - Ø22mm	BQ7EGG-WA
25	Impeller	Fabricated Stainless Steel			Mechanical seal diameter	22 mm
26	Shaft	Stainless steel			1. Rotating ring	Carbon graphite resin impregnated
27	Wear ring	Stainless steel			2. Stationary ring	SiC, silicon carbide, sintered press.less
28	Impeller lock nut and washer	Stainless steel			3. Secondary seal	Ethylene propylene rubber (EPDM)
29	Impeller key	Stainless steel			4. Springs	CrNiMo - Steel
30	Fill and drain plugs	Stainless steel			5. Others	EPDM - WRAS
31					Gaskets of the pump	Ethylene propylene rubber (EPDM)
32						
33						
34						
35						
36						
37						
38						
39						
40						
41						

Motor data					
Electrical and dimensional data refer to IE3 motor					
42	Manufacturer	Lowara			
43	Specific design	IE3 3ph Flange Motor - Premium Efficiency			
44	Type	PLM 90 B5 1,5 kW			
45	Rated power	1.5 kW	Rated current	3.7 A	
46	Nominal speed	1440 rpm	Rated voltage	400 V	
47	Frame size	90	Service factor	1	
48	Weight	kg 22.6	Degree of protection	IP55	

Remarks					
49					
50					
50					
52					

NSCS 40-200/15/P45RCS4

Performance curve

Company name
Contact
Phone number
e-mail address

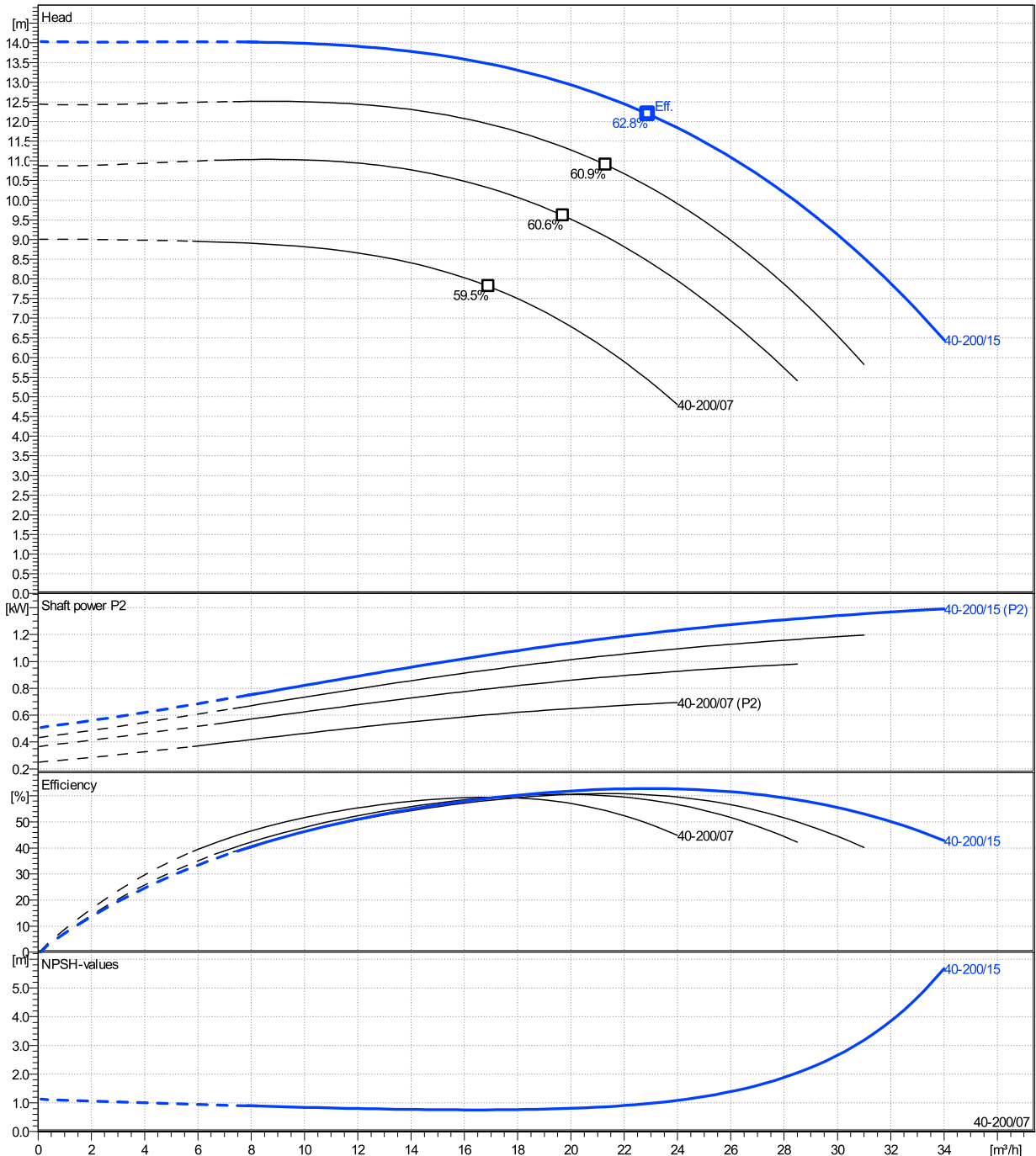
	Ø mm	Pump capacity			Pump head		Shaft power P2			Frequency	Hz	50
		Operating range Min. m³/h	Max. m³/h	η Max. m³/h	H(Q=0) m	η Max. m	P2(Q=0) kW	Max. kW	η Max. kW	Operating speed	rpm	1450
actual	199	8.22	34	22.9	14	12.2		1.39	1.21	Nominal flow	m³/h	0
Min.	0	/	/	16.9	9.01	7.81		/	0.603	Nominal head	m	0
Max.	199	/	/	22.9	14	12.2		/	1.21	Inlet pressure	kPa	0
										Static head	m	0

Power datas referred to:

hydr. Performance acceptance acc. To EN ISO 9906 Class Grade 3B

Water, pure [100%] ; 4°C; 1000kg/m³; 1.57mm²/s

MEI: >=0,4



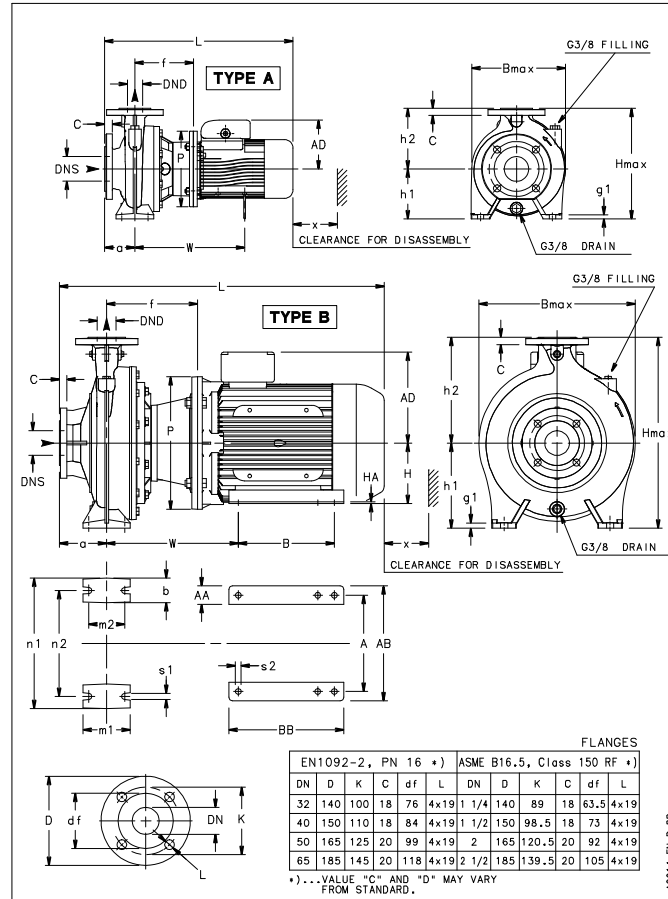
NSCS 40-200/15/P45RCS4

Dimensions

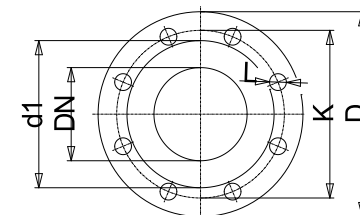
Company name
Contact
Phone number
e-mail address

Blockpump
4 poles motor
PLM 90 B5 1,5 kW

Electrical and dimensional data refer to IE3 motor



A0014-EN_LB_DD



Value C, D may vary from Standard

Dimensions [mm]

a	100
AD	134
b	50
Bmax	290
DNd	40
DNs	65
f	155
g1	14
h1	160
h2	180
Hmax	340
L	553
m1	100
m2	70
n1	265
n2	212
P	200
s1	14
Type	A
Volumen	0.065807
w	300
x	90

Weight

Total weight	51 kg
---------------------	--------------

Connections

Suction nozzle		Discharge nozzle	
DN 65		DN 40	
PN 16		PN 16	
EN1092-2		EN1092-2	
C	20	C	18
D	185	D	150
df	118	df	84
DN	65	DN	40
K	145	K	110
L	4 x 19	L	4 x 19

Dimensions and weight without obligation

Project	Xylect-20255621
Block	NSCS 40-200/110/P25VCS4

Created by
Created on 11/26/2024

Last update 11/26/2024