

NSCS 40-250/220/P25VCS4

Technical data

Company name
Contact
Phone number
e-mail address

Operating data				
1	Pumpe type	Single head pump	Fluid	Water, pure
2	No. of pumps	1	Operating temperature t A	°C 4
3	Nominal flow	m³/h 0	Max / Min Operating Temperature mech. Seal	°C 120 / -25
4	Nominal head	m 0	pH-value at t A	7
5	Static head	m 0	Density at t A	kg/m³ 1000
6	Inlet pressure	kPa 0	Kin. viscosity at t A	mm²/s 1.569
7	Environmental temperature	°C 20	Vapor pressure at t A	kPa 100
8	Available system NPSH	m 0	Altitude	0

Pump data				
9	Lubrication	Standard, Grease lubrication [Std]		
10	Execution	2 poles motor		
11	Design	Horizontal		
12	Operating speed	2900 rpm	Stages	1
13	Suction nozzle	DN 65 /	PN 16 /	EN1092-2
14	Discharge nozzle	DN 40 /	PN 16 /	EN1092-2
15	Max. casing pressure	kPa		
16	Max. working pressure	kPa	979.4	
17	Impeller type	Radial impeller		
18	Head H(Q=0)	m	100	
19	Max. shaft power	kW	21.7	
20	Pump weight	kg		
21	Total weight	kg	On demand	

		Impeller Ø		Flow		Head		Shaft power		Efficiency	
	Max.	mm	257		Max-	m³/h		at Qmax	m	76.6	
	designed	mm	257		Min-	m³/h		at Qmin	m	98.2	
	Min.	mm	199		Nominal	m³/h					
	Nominal	m³/h									
	Max-	m³/h	66								
	Min-	m³/h	24								

Materials				
22		Pump		Shaft Seal
23	Volute Casing	Cast Iron		Single mechanical seal, without shaft sleeve
24	Casing Cover	Cast Iron		eMG12 - Ø28mm
25	Impeller	Fabricated Stainless Steel		Mechanical seal diameter
26	Shaft	Stainless steel		28 mm
27	Wear ring	Stainless steel		1. Rotating ring
28	Impeller lock nut and washer	Stainless steel		Carbon graphite resin impregnated
29	Impeller key	Stainless steel		2. Stationary ring
30	Fill and drain plugs	Stainless steel		SiC, silicon carbide, sintered press. less
31				3. Secondary seal
32				Ethylene propylene rubber (EPDM)
33				4. Springs
34				CrNiMo - Steel
35				5. Others
36				EPDM - WRAS
37				Gaskets of the pump
38				Ethylene propylene rubber (EPDM)
39				
40				
41				

Motor data				
Electrical and dimensional data refer to IE3 motor				
42	Manufacturer	Lowara		
43	Specific design	IE3 3ph Flange Motor - Premium Efficiency		
44	Type	PLM 180R B35 22 kW		
45	Rated power	22 kW	Rated current	42.2 A
46	Nominal speed	2950 rpm	Rated voltage	400 V
47	Frame size	180R	Service factor	1
48	Weight	kg 121.0	Degree of protection	IP55

Remarks				
49				
50				
50				
52				

NSCS 40-250/220/P25VCS4

Performance curve

Company name
Contact
Phone number
e-mail address

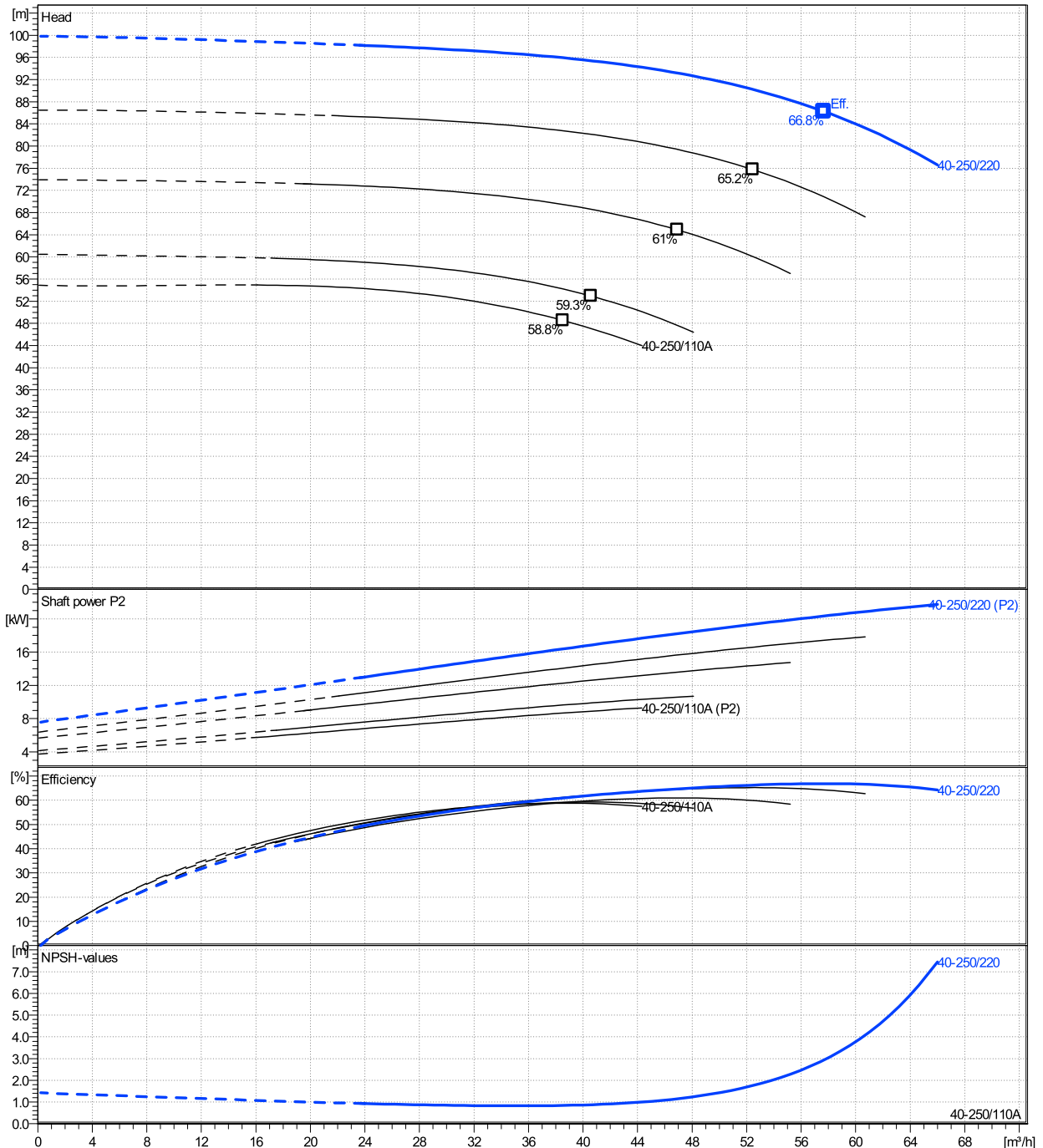
	Ø mm	Pump capacity			Pump head		Shaft power P2			Frequency		Hz	50
		Operating range Min. m³/h	Max. m³/h	η Max. m³/h	H(Q=0) m	η Max. m	P2(Q=0) kW	Max. kW	η Max. kW	Operating speed rpm	2900		
actual	257	24	66	57.7	99.8	86.3	21.7	20.3		Nominal flow	m³/h	0	
Min.	0	/	/	38.5	54.9	48.5	/	8.67		Nominal head	m	0	
Max.	257	/	/	57.7	99.8	86.3	/	20.3		Inlet pressure	kPa	0	
										Static head	m	0	

Power datas referred to:

hydr. Performance acceptance acc. To EN ISO 9906 Class Grade 3B

Water, pure [100%] ; 4°C; 1000kg/m³; 1.57mm²/s

MEI: >=0,4



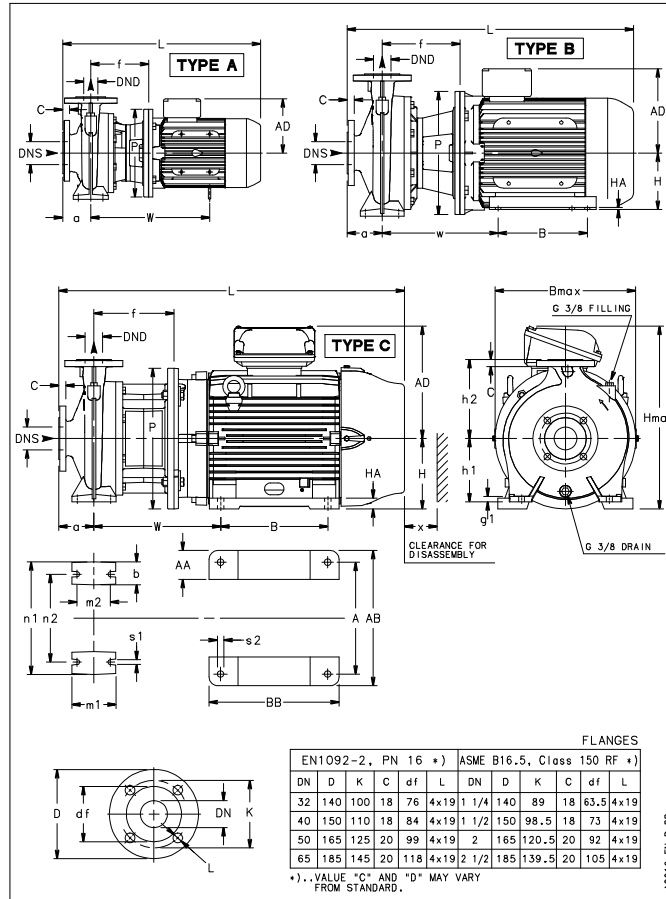
NSCS 40-250/220/P25VCS4

Dimensions

Company name
Contact
Phone number
e-mail address

Blockpump B35
2 poles motor
PLM 180R B35 22 kW

Electrical and dimensional data refer to IE3 motor



Dimensions [mm]

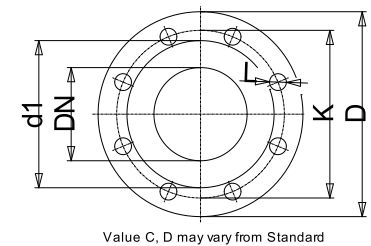
a	100
AD	240
b	65
DNd	40
DNs	65
g1	16
h1	180
h2	225
Hmax	420
m1	125
m2	95
n1	320
n2	250
P	350
s1	14
x	104

Weight

Total weight	On demand kg
--------------	--------------

Connections

Suction nozzle		Discharge nozzle	
DN 65		DN 40	
PN 16		PN 16	
EN1092-2		EN1092-2	
C	20	C	18
D	185	D	150
df	118	df	84
DN	65	DN	40
K	145	K	110
L	4 x 19	L	4 x 19



Dimensions and weight without obligation

Project	Xylect-20303810
Block	NSCS 40-250/220/P25VCS4

Created by
Created on 12/6/2024

Last update 12/6/2024