

NSCS 50-125/40/P25VCS4

Technical data

Company name
Contact
Phone number
e-mail address

Operating data				
1	Pumpe type	Single head pump	Fluid	Water, pure
2	No. of pumps	1	Operating temperature t A	°C 4
3	Nominal flow	m³/h 0	Max / Min Operating Temperature mech. Seal	°C 120 / -25
4	Nominal head	m 0	pH-value at t A	7
5	Static head	m 0	Density at t A	kg/m³ 1000
6	Inlet pressure	kPa 0	Kin. viscosity at t A	mm²/s 1.569
7	Environmental temperature	°C 20	Vapor pressure at t A	kPa 100
8	Available system NPSH	m 0	Altitude	0

Pump data				
9	Lubrication	Standard, Grease lubrication [Std]		
10	Execution	2 poles motor		
11	Design	Horizontal		
12	Operating speed	2900 rpm	Stages	1
13	Suction nozzle	DN 65 / PN 16 / EN1092-2	Impeller Ø	Max. mm 158
14	Discharge nozzle	DN 50 / PN 16 / EN1092-2		designed mm 130
15	Max. casing pressure	kPa	Flow	Min. mm 118
16	Max. working pressure	kPa 209.4		Nominal m³/h
17	Impeller type	Radial impeller		Max- m³/h 90.3
18	Head H(Q=0)	m 21	Head	Min- m³/h 20.4
19	Max. shaft power	kW 3.8		Nominal m
20	Pump weight	kg	at Qmax m 8.1	at Qmin m 20.8
21	Total weight	kg 47.6	Shaft power kW	Efficiency %
			NPSH 3%	m

Materials				
22		Pump	Shaft Seal	
23	Volute Casing	Cast Iron	Single mechanical seal, without shaft sleeve	
24	Casing Cover	Cast Iron	eMG12 - Ø22mm	BQ7EGG-WA
25	Impeller	Fabricated Stainless Steel	Mechanical seal diameter	22 mm
26	Shaft	Stainless steel	1. Rotating ring	Carbon graphite resin impregnated
27	Wear ring	Stainless steel	2. Stationary ring	SiC, silicon carbide, sintered press. less
28	Impeller lock nut and washer	Stainless steel	3. Secondary seal	Ethylene propylene rubber (EPDM)
29	Impeller key	Stainless steel	4. Springs	CrNiMo - Steel
30	Fill and drain plugs	Stainless steel	5. Others	EPDM - WRAS
31			Gaskets of the pump	Ethylene propylene rubber (EPDM)
32				
33				
34				
35				
36				
37				
38				
39				
40				
41				

Motor data				
Electrical and dimensional data refer to IE3 motor				
42	Manufacturer	Lowara		
43	Specific design	IE3 3ph Flange Motor - Premium Efficiency		
44	Type	PLM 112R B5 4 kW		
45	Rated power	4 kW	Rated current	7.62 A
46	Nominal speed	2885 rpm	Rated voltage	400 V
47	Frame size	112R	Service factor	1
48	Weight	kg 25.0	Degree of protection	IP55

Remarks				
49				
50				
50				
52				

NSCS 50-125/40/P25VCS4

Performance curve

Company name
Contact
Phone number
e-mail address

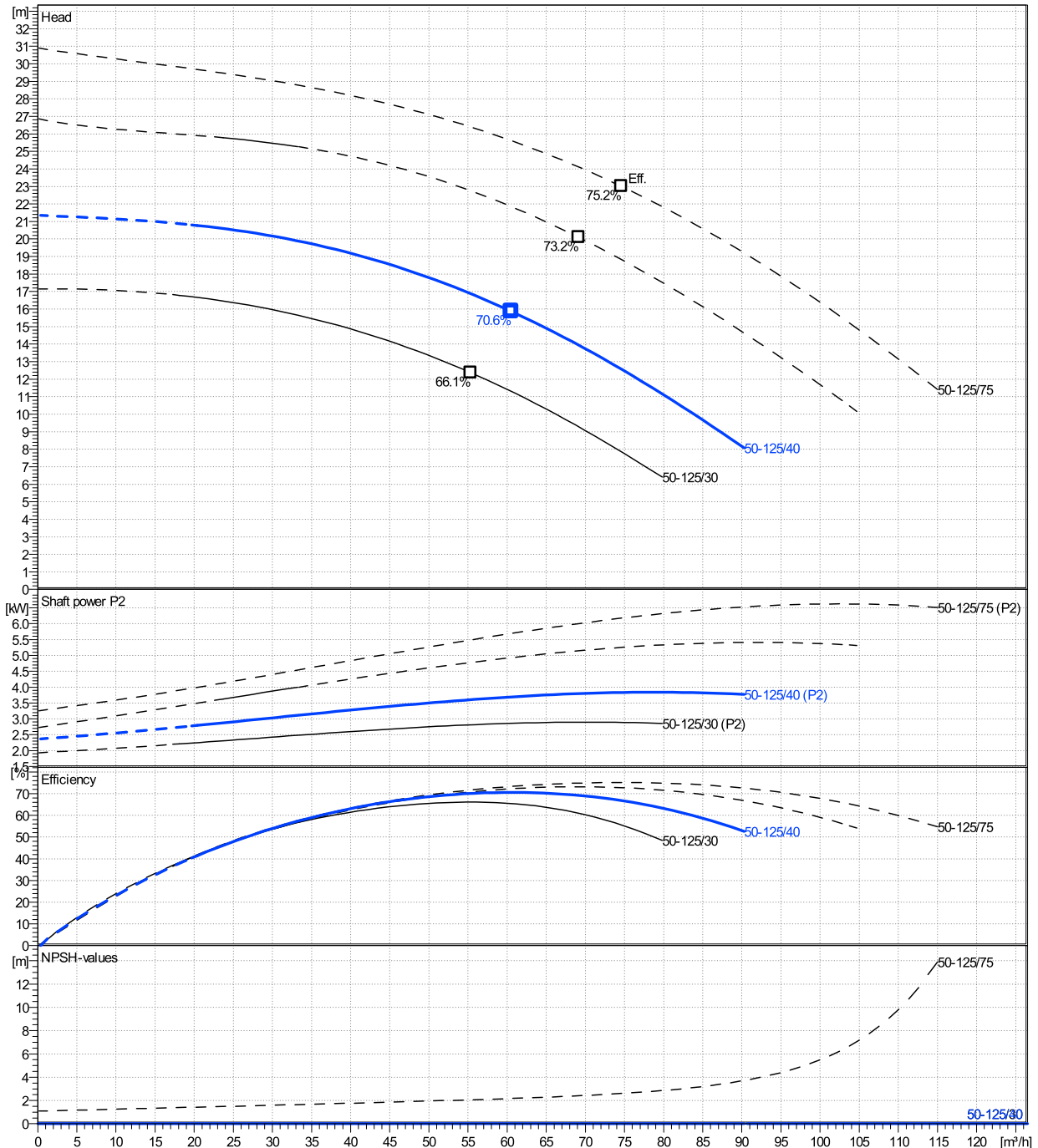
	Ø mm	Pump capacity			Pump head		Shaft power P2			Frequency		
		Operating range Min. m³/h	Max. m³/h	η Max. m³/h	H(Q=0) m	η Max. m	P2(Q=0) kW	Max. kW	η Max. kW	Hz		
actual	130	20.4	90.3	60.5	21.3	15.9		3.84	3.69	Operating speed	rpm	2900
Min.	0	/	/	55.3	17.1	12.4		/	2.81	Nominal flow	m³/h	0
Max.	158	/	/	74.6	30.9	23		/	6.17	Nominal head	m	0
										Inlet pressure	kPa	0
										Static head	m	0

Power datas referred to:

Water, pure [100%] ; 4°C; 1000kg/m³; 1.57mm²/s

hydr. Performance acceptance acc. To EN ISO 9906 Class Grade 3B

MEI: >=0,4



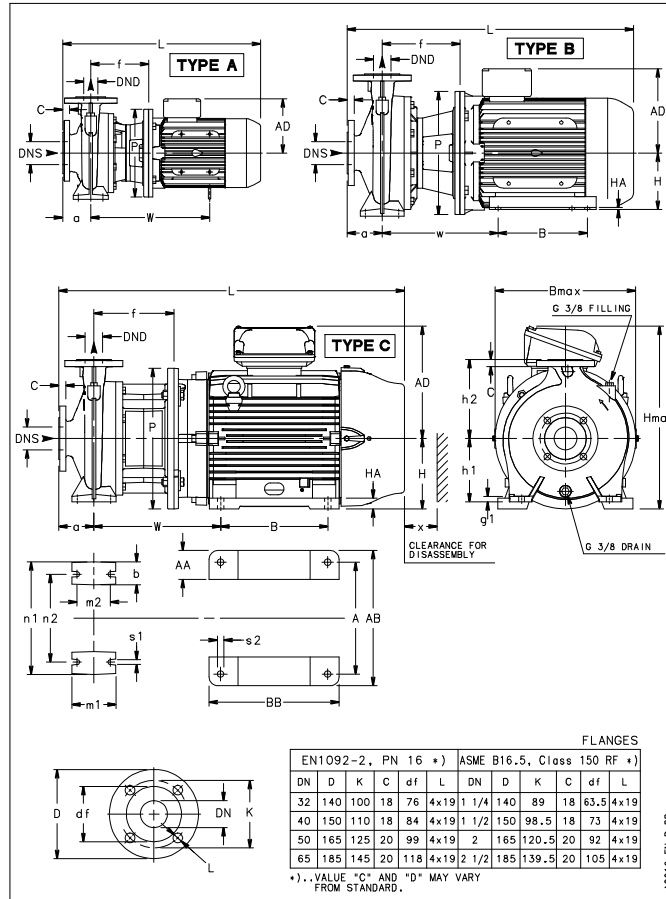
NSCS 50-125/40/P25VCS4

Dimensions

Company name
Contact
Phone number
e-mail address

Blockpump
2 poles motor
PLM 112R B5 4 kW

Electrical and dimensional data refer to IE3 motor



Dimensions [mm]	
a	100
AD	154
b	50
Bmax	255
DNd	50
DNs	65
f	167
g1	14
h1	132
h2	160
Hmax	292
L	586
m1	100
m2	70
n1	240
n2	190
P	250
s1	14
Type	A
Volumen	0.043634
w	340
x	107

Weight	
Total weight	47.6 kg

Connections			
Suction nozzle		Discharge nozzle	
DN 65		DN 50	
PN 16		PN 16	
EN1092-2		EN1092-2	
C	20	C	20
D	185	D	165
df	118	df	99
DN	65	DN	50
K	145	K	125
L	4 x 19	L	4 x 19

Dimensions and weight without obligation

Project	Xylect-20255621
Block	NSCS 50-125/75/P25VCS4

Created by
Created on 11/26/2024

Last update 11/26/2024