

NSCS 50-160/75/P25VCS4

Technical data

Company name
Contact
Phone number
e-mail address

| Operating data | | | |
|----------------|---------------------------|---------------------|---|
| 1 | Pumpe type | Single head pump | Fluid Water, pure |
| 2 | No. of pumps | 1 | Operating temperature t A °C 4 |
| 3 | Nominal flow | m ³ /h 0 | Max / Min Operating Temperature mech. Seal °C 120 / -25 |
| 4 | Nominal head | m 0 | pH-value at t A 7 |
| 5 | Static head | m 0 | Density at t A kg/m ³ 1000 |
| 6 | Inlet pressure | kPa 0 | Kin. viscosity at t A mm ² /s 1.569 |
| 7 | Environmental temperature | °C 20 | Vapor pressure at t A kPa 100 |
| 8 | Available system NPSH | m 0 | Altitude 0 |

| Pump data | | | |
|-----------|-----------------------|------------------------------------|----------------|
| 9 | Lubrication | Standard, Grease lubrication [Std] | |
| 10 | Execution | 2 poles motor | |
| 11 | Design | Horizontal | |
| 12 | Operating speed | 2900 rpm | Stages 1 |
| 13 | Suction nozzle | DN 65 / PN 16 / EN1092-2 | Impeller Ø |
| 14 | Discharge nozzle | DN 50 / PN 16 / EN1092-2 | |
| 15 | Max. casing pressure | kPa | Flow |
| 16 | Max. working pressure | kPa 331.7 | |
| 17 | Impeller type | Radial impeller | |
| 18 | Head H(Q=0) | m 34 | Head |
| 19 | Max. shaft power | kW 7.2 | |
| 20 | Pump weight | kg | Shaft power kW |
| 21 | Total weight | kg 84.2 | Efficiency % |
| | | | NPSH 3% m |

| Materials | | | |
|-----------|------------------------------|----------------------------|--|
| 22 | | Pump | Shaft Seal |
| 23 | Volute Casing | Cast Iron | Single mechanical seal, without shaft sleeve |
| 24 | Casing Cover | Cast Iron | eMG12 - Ø22mm BQ7EGG-WA |
| 25 | Impeller | Fabricated Stainless Steel | Mechanical seal diameter 22 mm |
| 26 | Shaft | Stainless steel | 1. Rotating ring Carbon graphite resin impregnated |
| 27 | Wear ring | Stainless steel | 2. Stationary ring SiC, silicon carbide, sintered press.less |
| 28 | Impeller lock nut and washer | Stainless steel | 3. Secondary seal Ethylene propylene rubber (EPDM) |
| 29 | Impeller key | Stainless steel | 4. Springs CrNiMo - Steel |
| 30 | Fill and drain plugs | Stainless steel | 5. Others EPDM - WRAS |
| 31 | | | Gaskets of the pump Ethylene propylene rubber (EPDM) |
| 32 | | | |
| 33 | | | |
| 34 | | | |
| 35 | | | |
| 36 | | | |
| 37 | | | |
| 38 | | | |
| 39 | | | |
| 40 | | | |
| 41 | | | |

| Motor data | | | |
|--|-----------------|---|---------------------------|
| Electrical and dimensional data refer to IE3 motor | | | |
| 42 | Manufacturer | Lowara | |
| 43 | Specific design | IE3 3ph Flange Motor - Premium Efficiency | |
| 44 | Type | PLM 132 B5 7,5 kW | |
| 45 | Rated power | 7.5 kW | Rated current 14.1 A |
| 46 | Nominal speed | 2920 rpm | Rated voltage 400 V |
| 47 | Frame size | 132 | Service factor 1 |
| 48 | Weight | kg 56.0 | Degree of protection IP55 |

| Remarks | |
|---------|--|
| 49 | |
| 50 | |
| 50 | |
| 52 | |

NSCS 50-160/75/P25VCS4

Performance curve

Company name
Contact
Phone number
e-mail address

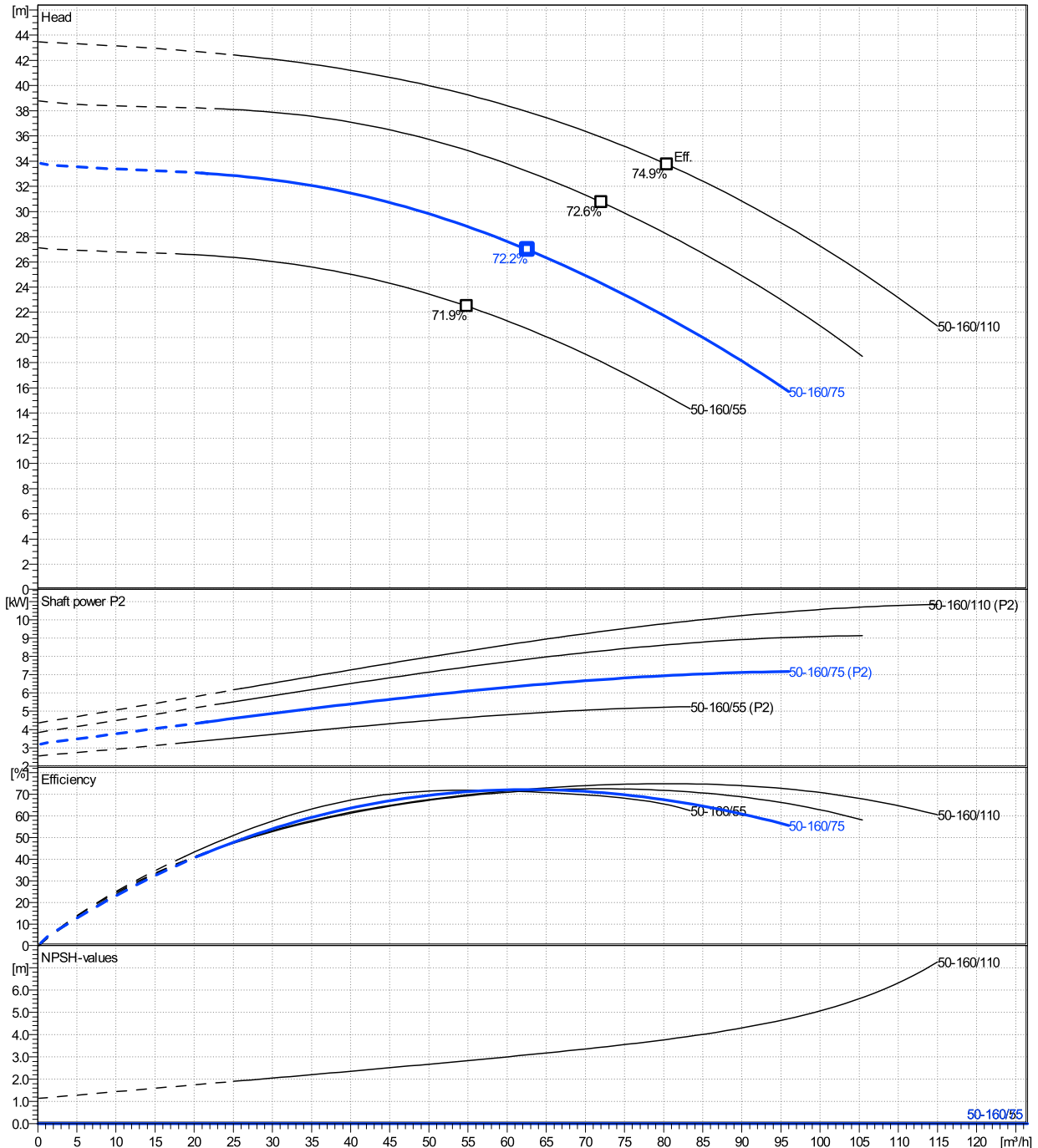
| | Ø mm | Pump capacity | | | Pump head | | Shaft power P2 | | | Frequency | | Hz | 50 |
|--------|---------|------------------------------|-----------|----------------|-------------|-------------|----------------|---------|--------------|------------------------|----------------------|----|----|
| | | Operating range Min. m³/h | Max. m³/h | η Max. m³/h | H(Q=0) m | η Max. m | P2(Q=0) kW | Max. kW | η Max. kW | Operating speed rpm | Nominal flow m³/h | | |
| actual | 159 | 21.7 | 96 | 62.6 | 33.8 | 27 | 7.17 | 6.41 | 2900 | 0 | 0 | | |
| Min. | 0 | / | / | 54.9 | 27.1 | 22.5 | / | 4.65 | 0 | m | 0 | | |
| Max. | 176 | / | / | 80.5 | 43.5 | 33.7 | / | 9.8 | 0 | kPa | 0 | | |
| | | | | | | | | | | m | 0 | | |

Power datas referred to:

hydr. Performance acceptance acc. To EN ISO 9906 Class Grade 3B

Water, pure [100%] ; 4°C; 1000kg/m³; 1.57mm²/s

MEI: >=0,4



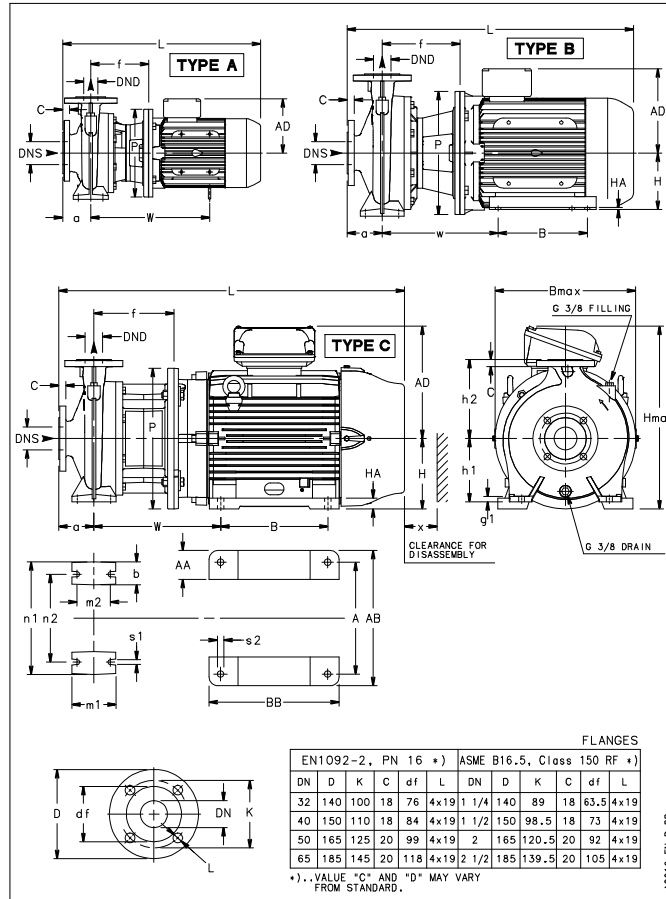
NSCS 50-160/75/P25VCS4

Dimensions

Company name
Contact
Phone number
e-mail address

Blockpump
2 poles motor
PLM 132 B5 7,5 kW

Electrical and dimensional data refer to IE3 motor



Dimensions [mm]

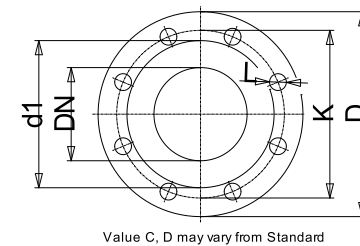
| | |
|---------|----------|
| a | 100 |
| AD | 191 |
| b | 50 |
| Bmax | 300 |
| DNd | 50 |
| DNs | 65 |
| f | 192 |
| g1 | 14 |
| h1 | 160 |
| h2 | 180 |
| Hmax | 351 |
| L | 659 |
| m1 | 100 |
| m2 | 70 |
| n1 | 265 |
| n2 | 212 |
| P | 300 |
| s1 | 14 |
| Type | A |
| Volumen | 0.066848 |
| w | 399 |
| x | 103 |

Weight

| | |
|---------------------|----------------|
| Total weight | 84.2 kg |
|---------------------|----------------|

Connections

| Suction nozzle | | Discharge nozzle | |
|----------------|--------|------------------|--------|
| DN 65 | | DN 50 | |
| PN 16 | | PN 16 | |
| EN1092-2 | | EN1092-2 | |
| C | 20 | C | 20 |
| D | 185 | D | 165 |
| df | 118 | df | 99 |
| DN | 65 | DN | 50 |
| K | 145 | K | 125 |
| L | 4 x 19 | L | 4 x 19 |



Dimensions and weight without obligation

| | |
|---------|-------------------------|
| Project | Xylect-20255621 |
| Block | NSCS 50-160/110/P25VCS4 |

Created by
Created on 11/26/2024

Last update 11/26/2024