

NSCS 50-315/55/P45VCC4

Technical data

Company name
Contact
Phone number
e-mail address

Operating data					
1	Pumpe type	Single head pump	Fluid	Water, pure	
2	No. of pumps	1	Operating temperature t A	°C	4
3	Nominal flow	m³/h 0	Max / Min Operating Temperature mech. Seal	°C	120 / -25
4	Nominal head	m 0	pH-value at t A		7
5	Static head	m 0	Density at t A	kg/m³	1000
6	Inlet pressure	kPa 0	Kin. viscosity at t A	mm²/s	1.569
7	Environmental temperature	°C 20	Vapor pressure at t A	kPa	100
8	Available system NPSH	m 0	Altitude		0

Pump data					
9	Lubrication	32			
10	Execution	Standard Design (Type A)			
11	Design	Horizontal			
12	Operating speed	1465 rpm	Stages	1	
13	Suction nozzle	DN65 / PN10/16 / EN1092-2	Impeller Ø	Max.	mm 322
14	Discharge nozzle	DN50 / PN10/16 / EN1092-2		designed	mm 278
15	Max. casing pressure	kPa	Flow	Min.	mm 256
16	Max. working pressure	kPa 269		Nominal	m³/h
17	Impeller type	Radial impeller		Max-	m³/h 60.5
18	Head H(Q=0)	m 27	Head	Min-	m³/h 9
19	Max. shaft power	kW 5.3		Nominal	m
20	Pump weight	kg	Shaft power	at Qmax	m 17
21	Total weight	kg 145.6		at Qmin	m 27.2
			Efficiency	%	
			NPSH 3%	m	

Materials					
Pump			Shaft Seal		
22					
23	Volute Casing	Cast Iron, EN 1561 - GJL-250, ASTM Class 35	Single mechanical seal, without shaft sleeve		
24	Impeller	Cast Iron, EN 1561 - GJL-200, ASTM Class 30	eMG12 - Ø38mm	BQ7EGG-WA	
25	Casing Cover	Cast Iron, EN 1561 - GJL-250, ASTM Class 35	Mechanical seal diameter	38 mm	
26	Shaft	Stainless steel, 1.4057, AISI 431	1. Rotating ring	Carbon graphite resin impregnated	
27	Wear ring	Stainless steel, 1.4301, AISI 304	2. Stationary ring	SiC, silicon carbide, sintered press. less	
28	Impeller lock nut and washer	A4 (1.4401)	3. Secondary seal	Ethylene propylene rubber (EPDM)	
29	Impeller key	Stainless steel, 1.4571, AISI 316Ti	4. Springs	CrNiMo - Steel	
30	Fill and drain plugs	Galvanized carbon steel, EN 10277-3, AISI 1213 / 1215	5. Others	EPDM - WRAS	
31	Bearing bracket	Cast Iron, EN 1561 - GJL-250, ASTM Class 35	Gaskets of the pump	Ethylene propylene rubber (EPDM)	
32					
33					
34					
35					
36					
37					
38					
39					
40					
41					

Motor data					
Electrical and dimensional data refer to IE3 motor					
42	Manufacturer	Lowara			
43	Specific design	IE3 3ph Flange Motor - Premium Efficiency			
44	Type	PLM 132 B5 5,5 kW			
45	Rated power	5.5 kW	Rated current	11.5 A	
46	Nominal speed	1465 rpm	Rated voltage	400 V	
47	Frame size	132	Service factor	1	
48	Weight	kg 62.6	Degree of protection	IP55	

Remarks					
49					
50					
50					
52					

NSCS 50-315/55/P45VCC4

Performance curve

Company name
Contact
Phone number
e-mail address

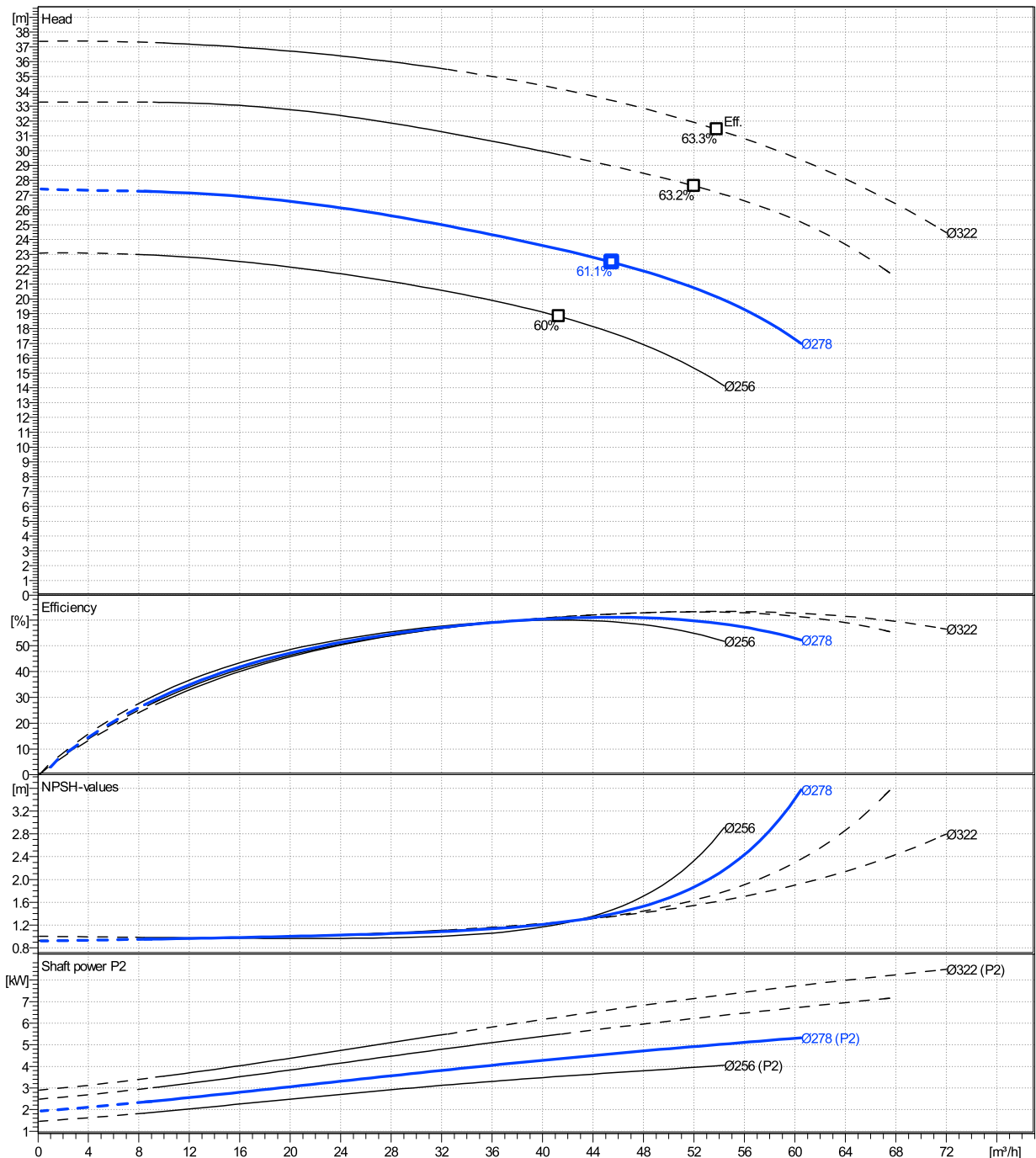
	Ø mm	Pump capacity Operating range			Pump head		Shaft power P2			Frequency	Hz	50
		Min. m³/h	Max. m³/h	η m³/h	H(Q=0) m	η m	P2(Q=0) kW	Max. kW	η kW	Operating speed	rpm	1465
actual	278	9	60.5	45.5	27.4	22.5	5.32	4.58		Nominal flow	m³/h	0
Min.	0	/	/	41.3	23.1	18.8	/	3.53		Nominal head	m	0
Max.	322	/	/	53.8	37.4	31.4	/	7.28		Inlet pressure	kPa	0
										Static head	m	0

Power datas referred to:

hydr. Performance acceptance acc. To EN ISO 9906 Class Grade 3B

Water, pure [100%] ; 4°C; 1000kg/m³; 1.57mm²/s

MEI: >=0,70 - according to Ecodesign Directive 2009/125/EC and Regulation (EU) No.547/2012



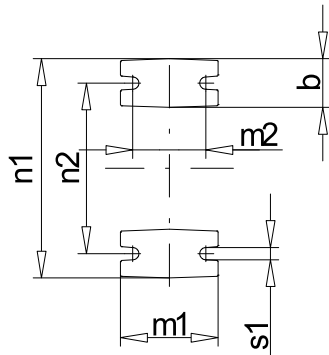
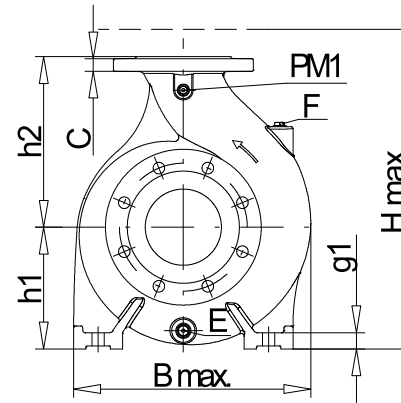
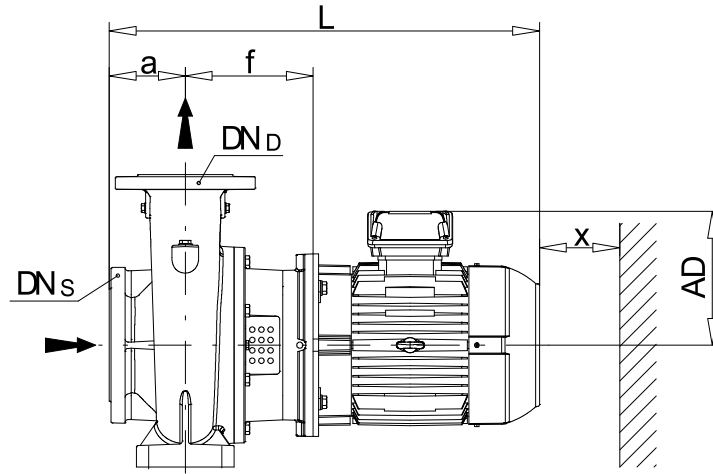
NSCS 50-315/55/P45VCC4

Dimensions

Company name
Contact
Phone number
e-mail address

Blockpump
Standard Design (Type A)
PLM 132 B5 5,5 kW

Electrical and dimensional data refer to IE3 motor



PM1...Pressure gauge connector
E...Drain
F....Filling



Value C, D may vary from Standard

Dimensions [mm]			
a	125	Type	A
AD	191	Volumen	0.15434
b	65	x	140
Bmax	413		
CTO	0		
DNd	50		
DNs	65		
E	3/8"		
f	210		
F	3/8"		
g1	14		
h1	225		
h2	280		
Hmax	505		
L	740		
L	740		
m1	125		
m2	95		
n1	345		
n2	280		
P	300		
PM1	1/4"		
s1	15		
Trim	0		

Weight	
Total weight	145.6 kg

Connections			
Suction nozzle		Discharge nozzle	
DN65		DN50	
PN10/16		PN10/16	
EN1092-2		EN1092-2	
C	20	C	20
D	185	D	165
d1	118	d1	99
K	145	K	125
L	19	L	19
z	4	z	4

Dimensions and weight without obligation

Project	Xylect-20255621	Created by		Last update	11/26/2024
Block	NSCS 50-315/750/L25VCC4 E4	Created on	11/26/2024		