

# NSCS 65-125/05/X45RCC4

## Technical data

Company name  
Contact  
Phone number  
e-mail address

Operating data					
1	Pumpe type	Single head pump	Fluid	Water, pure	
2	No. of pumps	1	Operating temperature t A	°C	4
3	Nominal flow	m³/h 0	Max / Min Operating Temperature mech. Seal	°C	120 / -25
4	Nominal head	m 0	pH-value at t A		7
5	Static head	m 0	Density at t A	kg/m³	1000
6	Inlet pressure	kPa 0	Kin. viscosity at t A	mm²/s	1.569
7	Environmental temperature	°C 20	Vapor pressure at t A	kPa	100
8	Available system NPSH	m 0	Altitude		0

Pump data					
9	Lubrication	Standard, Grease lubrication [Std]			
10	Execution	4 poles motor			
11	Design	Horizontal			
12	Operating speed	1450 rpm	Stages	1	
13	Suction nozzle	DN 80 /	PN 16 /	EN1092-2	
14	Discharge nozzle	DN 65 /	PN 16 /	EN1092-2	
15	Max. casing pressure	kPa		Impeller Ø	Max. mm 148
16	Max. working pressure	kPa 34.6			designed mm 113
17	Impeller type	Radial impeller			Min. mm 113
18	Head H(Q=0)	m 3.5		Flow	Nominal m³/h
19	Max. shaft power	kW .5			Max- m³/h 60
20	Pump weight	kg			Min- m³/h 12
21	Total weight	kg 43.0		Head	Nominal m
					at Qmax m 1.8
					at Qmin m 3.6
				Shaft power	kW
				Efficiency	%
				NPSH 3%	m

Materials					
22		Pump		Shaft Seal	
23	Volute Casing	Cast Iron		Single mechanical seal, without shaft sleeve	
24	Casing Cover	Cast Iron		eMG12 - Ø22mm	BQ7EGG-WA
25	Impeller	Cast Iron		Mechanical seal diameter	22 mm
26	Shaft	Stainless steel		1. Rotating ring	Carbon graphite resin impregnated
27	Wear ring	Stainless steel		2. Stationary ring	SiC, silicon carbide, sintered press.less
28	Impeller lock nut and washer	Stainless steel		3. Secondary seal	Ethylene propylene rubber (EPDM)
29	Impeller key	Stainless steel		4. Springs	CrNiMo - Steel
30	Fill and drain plugs	Stainless steel		5. Others	EPDM - WRAS
31				Gaskets of the pump	Ethylene propylene rubber (EPDM)
32					
33					
34					
35					
36					
37					
38					
39					
40					
41					

Motor data					
42	Manufacturer	Xylem			
43	Specific design	IE2 3ph Flange Motor - Premium Efficiency			
44	Type	LLM480B5/305			
45	Rated power	0.55 kW	Rated current	1.35 A	
46	Nominal speed	1420 rpm	Rated voltage	400 V	
47	Frame size	80	Service factor	1	
48	Weight	kg 8.2	Degree of protection	IP55	

Remarks					
49					
50					
50					
52					

# NSCS 65-125/05/X45RCC4

## Performance curve

Company name  
Contact  
Phone number  
e-mail address

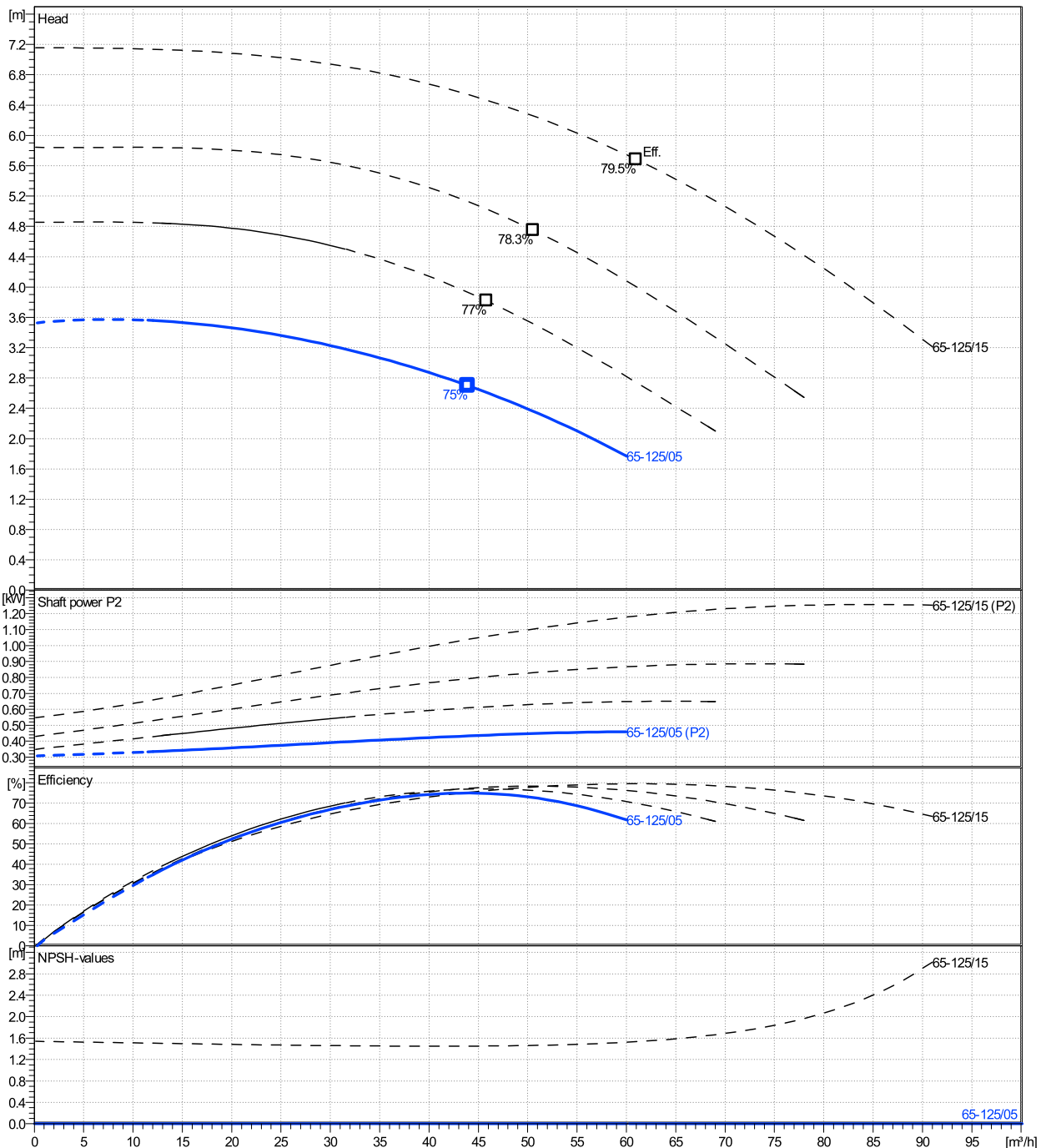
	Ø mm	Pump capacity			Pump head		Shaft power P2			Frequency	Hz	50
		Operating range Min. m³/h	Max. m³/h	η Max. m³/h	H(Q=0) m	η Max. m	P2(Q=0) kW	Max. kW	η Max. kW	Operating speed	rpm	1450
actual	113	12	60	43.9	3.53	2.7	0.459	0.433		Nominal flow	m³/h	0
Min.	0	/	/	43.9	3.53	2.7	/	0.433		Nominal head	m	0
Max.	148	/	/	61	7.16	5.68	/	1.18		Inlet pressure	kPa	0
										Static head	m	0

**Power datas referred to:**

hydr. Performance acceptance acc. To EN ISO 9906 Class Grade 3B

Water, pure [100%] ; 4°C; 1000kg/m³; 1.57mm²/s

MEI: >=0,4

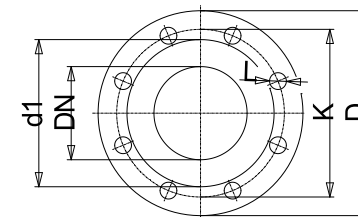
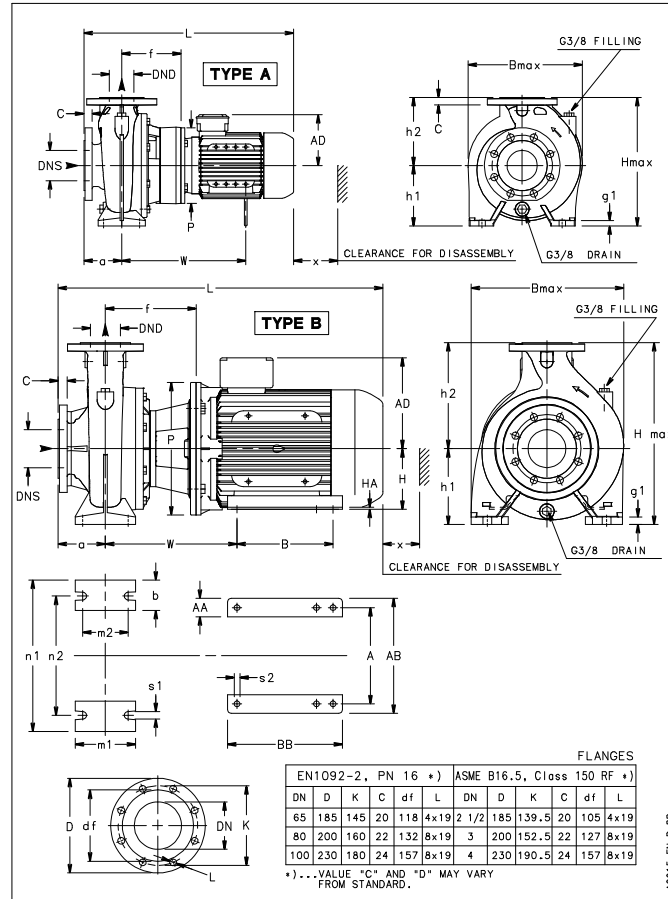


# NSCS 65-125/05/X45RCC4

## Dimensions

Company name  
Contact  
Phone number  
e-mail address

Blockpump  
4 poles motor  
LLM480B5/305



Value C, D may vary from Standard

### Dimensions [ mm ]

a	100
AD	128
b	65
Bmax	300
DNd	65
DNs	80
f	157
g1	16
h1	160
h2	180
Hmax	340
L	488
m1	125
m2	95
n1	280
n2	212
P	200
s1	14
Type	A
Volumen	0.049776
w	0
x	100

### Weight

<b>Total weight</b>	<b>43 kg</b>
---------------------	--------------

### Connections

Suction nozzle		Discharge nozzle	
<b>DN 80</b>		<b>DN 65</b>	
<b>PN 16</b>		<b>PN 16</b>	
<b>EN1092-2</b>		<b>EN1092-2</b>	
C	22	C	20
D	200	D	185
df	132	df	118
DN	80	DN	65
K	160	K	145
L	8 x 19	L	4 x 19

### Dimensions and weight without obligation

<b>Project</b>	Xylect-20255621
<b>Block</b>	NSCS 65-125/110/P25VCC4

Created by  
Created on 11/26/2024

Last update 11/26/2024