

NSCS 65-125/07/X45RCC4

Technical data

Company name
Contact
Phone number
e-mail address

Operating data				
1	Pumpe type	Single head pump	Fluid	Water, pure
2	No. of pumps	1	Operating temperature t A	°C 4
3	Nominal flow	m³/h 0	Max / Min Operating Temperature mech. Seal	°C 120 / -25
4	Nominal head	m 0	pH-value at t A	7
5	Static head	m 0	Density at t A	kg/m³ 1000
6	Inlet pressure	kPa 0	Kin. viscosity at t A	mm²/s 1.569
7	Environmental temperature	°C 20	Vapor pressure at t A	kPa 100
8	Available system NPSH	m 0	Altitude	0

Pump data					
9	Lubrication	Standard, Grease lubrication [Std]			
10	Execution	4 poles motor			
11	Design	Horizontal			
12	Operating speed	1450 rpm	Stages	1	
13	Suction nozzle	DN 80 / PN 16 / EN1092-2	Impeller Ø	Max.	mm 148
14	Discharge nozzle	DN 65 / PN 16 / EN1092-2		designed	mm 127
15	Max. casing pressure	kPa	Flow	Min.	mm 113
16	Max. working pressure	kPa 47.6		Nominal	m³/h
17	Impeller type	Radial impeller		Max-	m³/h 69
18	Head H(Q=0)	m 4.9	Head	Min-	m³/h 13.8
19	Max. shaft power	kW .7		Nominal	m
20	Pump weight	kg	at Qmax	m 2.1	
21	Total weight	kg 48.0	at Qmin	m 4.8	
			Shaft power	kW	
			Efficiency	%	
			NPSH 3%	m	

Materials					
Pump			Shaft Seal		
22				Single mechanical seal, without shaft sleeve	
23	Volute Casing	Cast Iron		eMG12 - Ø22mm	BQ7EGG-WA
24	Casing Cover	Cast Iron		Mechanical seal diameter	22 mm
25	Impeller	Cast Iron		1. Rotating ring	Carbon graphite resin impregnated
26	Shaft	Stainless steel		2. Stationary ring	SiC, silicon carbide, sintered press.less
27	Wear ring	Stainless steel		3. Secondary seal	Ethylene propylene rubber (EPDM)
28	Impeller lock nut and washer	Stainless steel		4. Springs	CrNiMo - Steel
29	Impeller key	Stainless steel		5. Others	EPDM - WRAS
30	Fill and drain plugs	Stainless steel		Gaskets of the pump	Ethylene propylene rubber (EPDM)
31					
32					
33					
34					
35					
36					
37					
38					
39					
40					
41					

Motor data				
42	Manufacturer	Xylem		
43	Specific design	IE3 3ph Flange Motor - Premium Efficiency		
44	Type	LLM480B5/307		
45	Rated power	0.75 kW	Rated current	1.65 A
46	Nominal speed	1420 rpm	Rated voltage	400 V
47	Frame size	80	Service factor	1
48	Weight	kg 10.1	Degree of protection	IP55

Remarks				
49				
50				
50				
52				

NSCS 65-125/07/X45RCC4

Performance curve

Company name
Contact
Phone number
e-mail address

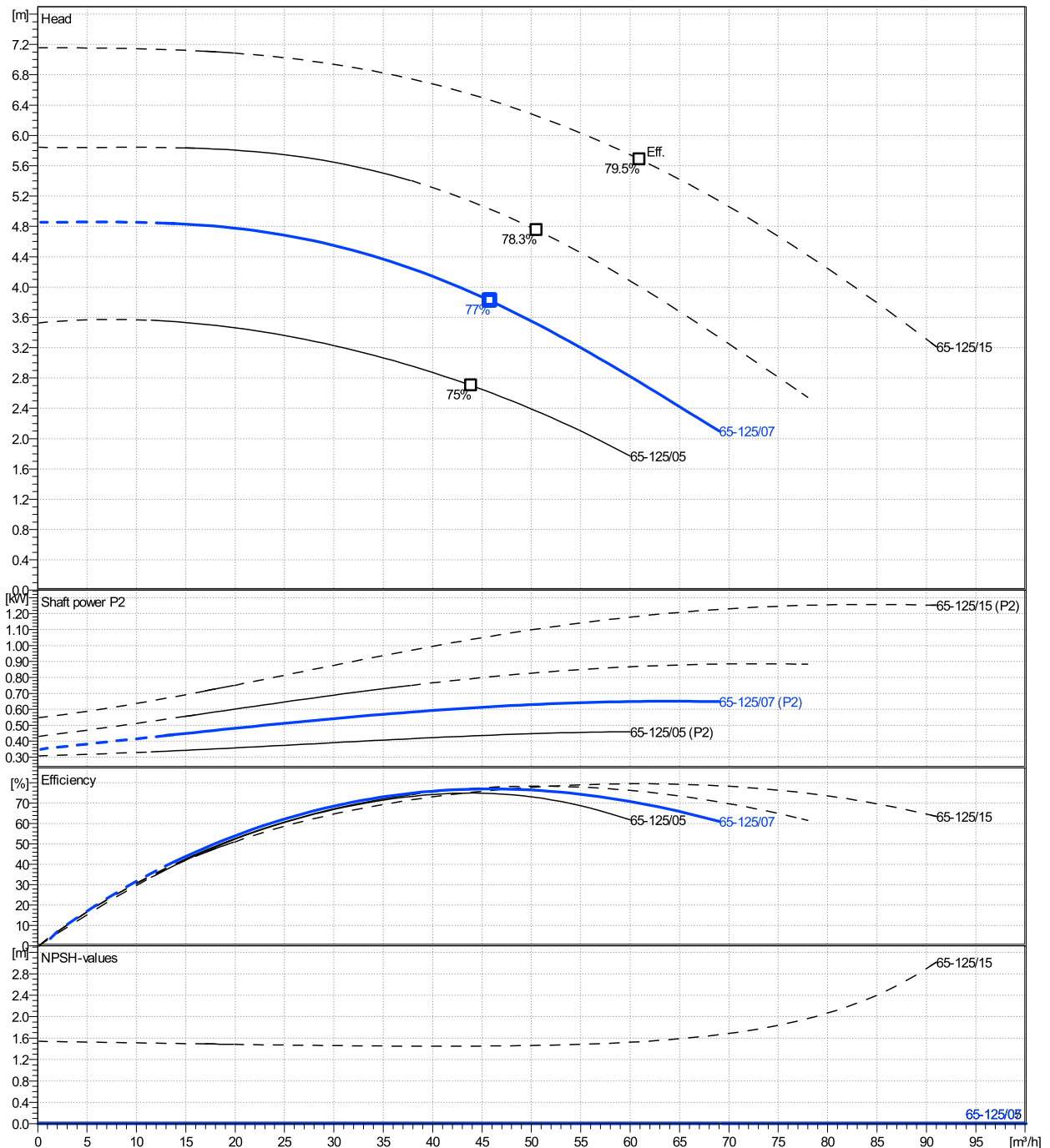
	Ø mm	Pump capacity			Pump head		Shaft power P2			Frequency	Hz	50
		Operating range Min. m³/h	Max. m³/h	η Max. m³/h	H(Q=0) m	η Max. m	P2(Q=0) kW	Max. kW	η Max. kW	Operating speed	rpm	1450
actual	127	13.8	69	45.8	4.85	3.82		0.65	0.616	Nominal flow	m³/h	0
Min.	0	/	/	43.9	3.53	2.7		/	0.433	Nominal head	m	0
Max.	148	/	/	61	7.16	5.68		/	1.18	Inlet pressure	kPa	0
										Static head	m	0

Power datas referred to:

hydr. Performance acceptance acc. To EN ISO 9906 Class Grade 3B

Water, pure [100%] ; 4°C; 1000kg/m³; 1.57mm²/s

MEI: >=0,4

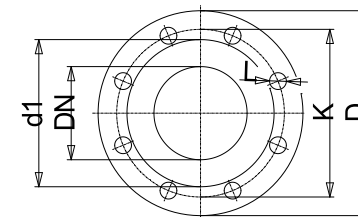
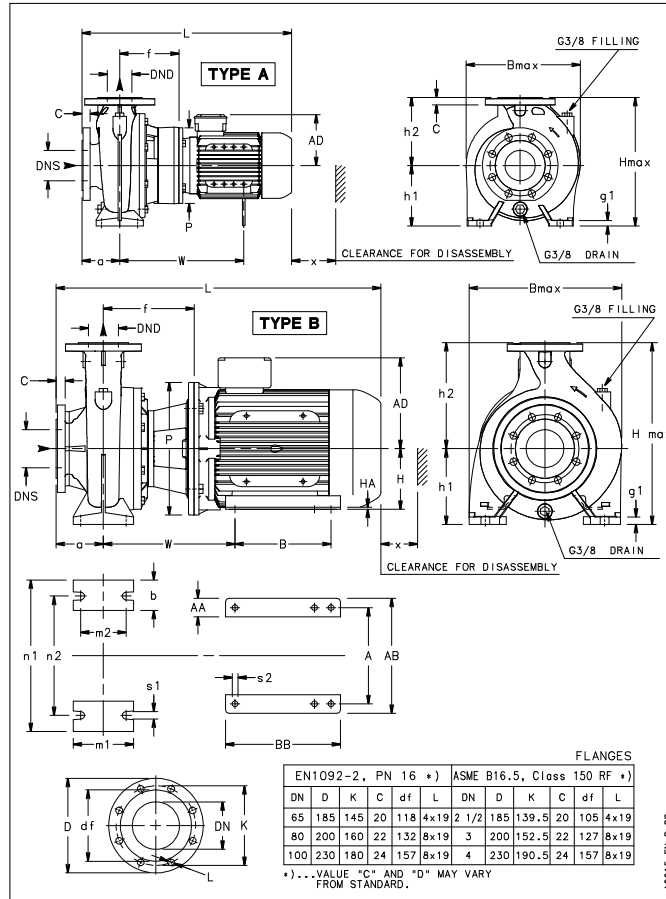


NSCS 65-125/07/X45RCC4

Dimensions

Company name
Contact
Phone number
e-mail address

Blockpump
4 poles motor
LLM480B5/307



Value C, D may vary from Standard

Dimensions [mm]

a	100
AD	139
b	65
Bmax	300
DNd	65
DNs	80
f	157
g1	16
h1	160
h2	180
Hmax	340
L	488
m1	125
m2	95
n1	280
n2	212
P	200
s1	14
Type	A
Volumen	0.049776
w	0
x	100

Weight

Total weight	48 kg
---------------------	--------------

Connections

Suction nozzle		Discharge nozzle	
DN 80		DN 65	
PN 16		PN 16	
EN1092-2		EN1092-2	
C	22	C	20
D	200	D	185
df	132	df	118
DN	80	DN	65
K	160	K	145
L	8 x 19	L	4 x 19

Dimensions and weight without obligation

Project	Xylect-20255621
Block	NSCS 65-125/110/P25VCC4

Created by
Created on 11/26/2024

Last update 11/26/2024