

# NSCS 65-125/15/P45RCC4

## Technical data

Company name  
Contact  
Phone number  
e-mail address

Operating data						
1	Pumpe type	Single head pump		Fluid	Water, pure	
2	No. of pumps	1		Operating temperature t A	°C	4
3	Nominal flow	m <sup>3</sup> /h	0	Max / Min Operating Temperature mech. Seal	°C	120 / -25
4	Nominal head	m	0	pH-value at t A		7
5	Static head	m	0	Density at t A	kg/m <sup>3</sup>	1000
6	Inlet pressure	kPa	0	Kin. viscosity at t A	mm <sup>2</sup> /s	1.569
7	Environmental temperature	°C	20	Vapor pressure at t A	kPa	100
8	Available system NPSH	m	0	Altitude		0

Pump data								
9	Lubrication	Standard, Grease lubrication [Std]						
10	Execution	4 poles motor						
11	Design	Horizontal						
12	Operating speed	1450 rpm	Stages	1				
13	Suction nozzle	DN 80	/	PN 16	/ EN1092-2			
14	Discharge nozzle	DN 65	/	PN 16	/ EN1092-2			
15	Max. casing pressure	kPa		Impeller Ø	Max.	mm	148	
16	Max. working pressure	kPa	70.2		designed	mm	148	
17	Impeller type	Radial impeller			Flow	Min.	mm	113
18	Head H(Q=0)	m	7.2			Nominal	m <sup>3</sup> /h	
19	Max. shaft power	kW	1.3		Head	Max-	m <sup>3</sup> /h	91
20	Pump weight	kg				Min-	m <sup>3</sup> /h	18
21	Total weight	kg	58.0		Shaft power	Nominal	m	
						at Qmax	m	3.2
					Efficiency	at Qmin	m	7.1
					Shaft power	kW		
					Efficiency	%		
					NPSH 3%	m		

Materials					
Pump			Shaft Seal		
22					
23	Volute Casing	Cast Iron		Single mechanical seal, without shaft sleeve	
24	Casing Cover	Cast Iron		eMG12 - Ø22mm	BQ7EGG-WA
25	Impeller	Cast Iron		Mechanical seal diameter	22 mm
26	Shaft	Stainless steel		1. Rotating ring	Carbon graphite resin impregnated
27	Wear ring	Stainless steel		2. Stationary ring	SiC, silicon carbide, sintered press. less
28	Impeller lock nut and washer	Stainless steel		3. Secondary seal	Ethylene propylene rubber (EPDM)
29	Impeller key	Stainless steel		4. Springs	CrNiMo - Steel
30	Fill and drain plugs	Stainless steel		5. Others	EPDM - WRAS
31				Gaskets of the pump	Ethylene propylene rubber (EPDM)
32					
33					
34					
35					
36					
37					
38					
39					
40					
41					

Motor data					
Electrical and dimensional data refer to IE3 motor					
42	Manufacturer	Lowara			
43	Specific design	IE3 3ph Flange Motor - Premium Efficiency			
44	Type	PLM 90 B5 1,5 kW			
45	Rated power	1.5 kW	Rated current	3.7 A	
46	Nominal speed	1440 rpm	Rated voltage	400 V	
47	Frame size	90	Service factor	1	
48	Weight	kg	22.6	Degree of protection	IP55

Remarks					
49					
50					
50					
52					

# NSCS 65-125/15/P45RCC4

## Performance curve

Company name  
Contact  
Phone number  
e-mail address

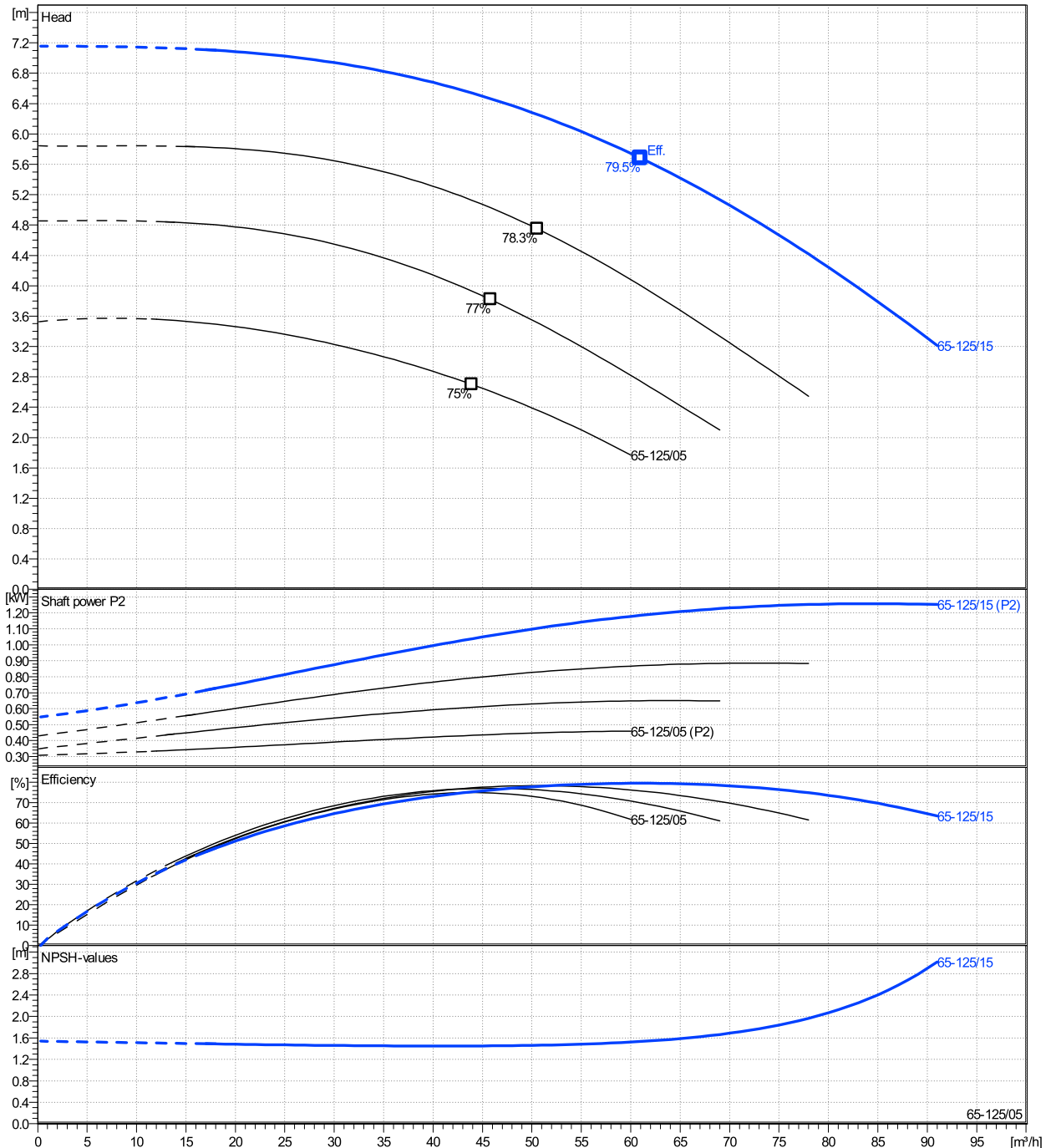
	Ø mm	Pump capacity			Pump head		Shaft power P2			Frequency	Hz	50
		Operating range Min. m³/h	Max. m³/h	η Max. m³/h	H(Q=0) m	η Max. m	P2(Q=0) kW	Max. kW	η Max. kW	Operating speed	rpm	1450
actual	148	18	91	61	7.16	5.68		1.26	1.18	Nominal flow	m³/h	0
Min.	0	/	/	43.9	3.53	2.7		/	0.433	Nominal head	m	0
Max.	148	/	/	61	7.16	5.68		/	1.18	Inlet pressure	kPa	0
										Static head	m	0

**Power datas referred to:**

hydr. Performance acceptance acc. To EN ISO 9906 Class Grade 3B

Water, pure [100%] ; 4°C; 1000kg/m³; 1.57mm²/s

MEI: >=0,4



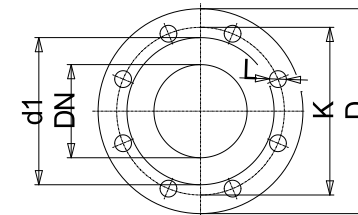
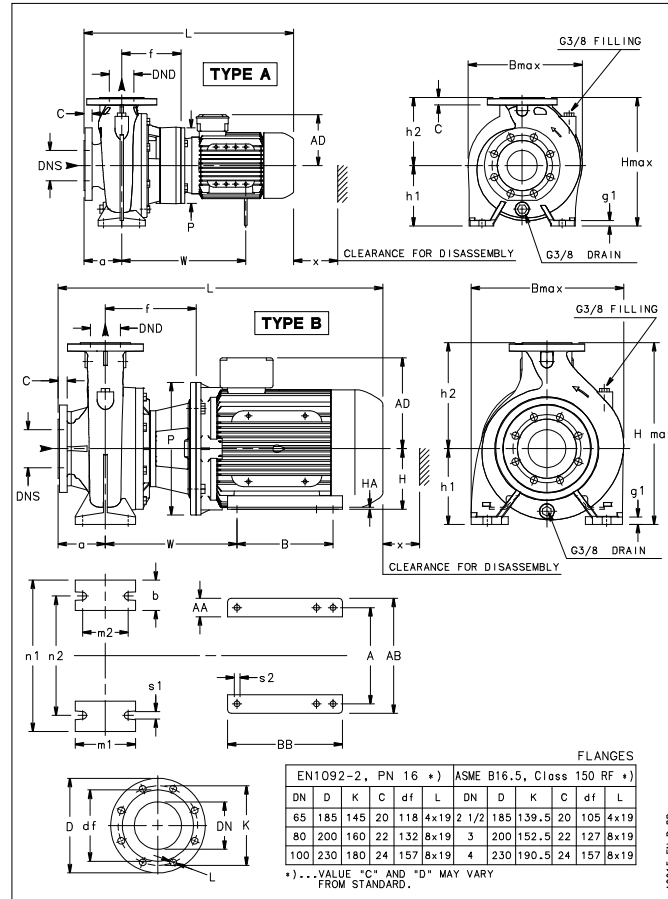
# NSCS 65-125/15/P45RCC4

## Dimensions

Company name  
Contact  
Phone number  
e-mail address

Blockpump  
4 poles motor  
PLM 90 B5 1,5 kW

Electrical and dimensional data refer to IE3 motor



Value C, D may vary from Standard

### Dimensions [ mm ]

a	100
AD	134
b	65
Bmax	300
DNd	65
DNs	80
f	157
g1	16
h1	160
h2	180
Hmax	340
L	555
m1	125
m2	95
n1	280
n2	212
P	200
s1	14
Type	A
Volumen	0.05661
w	302
x	100

### Weight

<b>Total weight</b>	<b>58 kg</b>
---------------------	--------------

### Connections

Suction nozzle		Discharge nozzle	
DN 80		DN 65	
PN 16		PN 16	
EN1092-2		EN1092-2	
C	22	C	20
D	200	D	185
df	132	df	118
DN	80	DN	65
K	160	K	145
L	8 x 19	L	4 x 19

### Dimensions and weight without obligation

Project	Xylect-20255621
Block	NSCS 65-125/110/P25VCC4

Created by  
Created on 11/26/2024

Last update 11/26/2024