

NSCS 65-200/110/P25VCC4

Technical data

Company name
Contact
Phone number
e-mail address

Operating data					
1	Pumpe type	Single head pump		Fluid	Water, pure
2	No. of pumps	1		Operating temperature t A	°C 4
3	Nominal flow	m ³ /h	0	Max / Min Operating Temperature mech. Seal	°C 120 / -25
4	Nominal head	m	0	pH-value at t A	7
5	Static head	m	0	Density at t A	kg/m ³ 1000
6	Inlet pressure	kPa	0	Kin. viscosity at t A	mm ² /s 1.569
7	Environmental temperature	°C	20	Vapor pressure at t A	kPa 100
8	Available system NPSH	m	0	Altitude	0

Pump data					
9	Lubrication	Standard, Grease lubrication [Std]			
10	Execution	2 poles motor			
11	Design	Horizontal			
12	Operating speed	2900 rpm	Stages	1	
13	Suction nozzle	DN 80	/	PN 16	/ EN1092-2
14	Discharge nozzle	DN 65	/	PN 16	/ EN1092-2
15	Max. casing pressure	kPa			
16	Max. working pressure	kPa	356.7		
17	Impeller type	Radial impeller			
18	Head H(Q=0)	m	36		
19	Max. shaft power	kW	10.5		
20	Pump weight	kg			
21	Total weight	kg	136.0		

					Impeller Ø	
					Max.	mm
					designed	220
					Min.	165
					Nominal	165
				Flow	Max-	m ³ /h 120
					Min-	m ³ /h 23.8
				Head	Nominal	m
					at Qmax	m 19.2
					at Qmin	m 36.3
				Shaft power	kW	
				Efficiency	%	
				NPSH 3%	m	

Materials					
	Pump			Shaft Seal	
22				Single mechanical seal, without shaft sleeve	
23	Volute Casing	Cast Iron		eMG12 - Ø28mm	BQ7EGG-WA
24	Casing Cover	Cast Iron		Mechanical seal diameter	28 mm
25	Impeller	Cast Iron		1. Rotating ring	Carbon graphite resin impregnated
26	Shaft	Stainless steel		2. Stationary ring	SiC, silicon carbide, sintered press.less
27	Wear ring	Stainless steel		3. Secondary seal	Ethylene propylene rubber (EPDM)
28	Impeller lock nut and washer	Stainless steel		4. Springs	CrNiMo - Steel
29	Impeller key	Stainless steel		5. Others	EPDM - WRAS
30	Fill and drain plugs	Stainless steel		Gaskets of the pump	Ethylene propylene rubber (EPDM)
31					
32					
33					
34					
35					
36					
37					
38					
39					
40					
41					

Motor data					
Electrical and dimensional data refer to IE3 motor					
42	Manufacturer	Lowara			
43	Specific design	IE3 3ph Flange Motor - Premium Efficiency			
44	Type	PLM 160 B35 11 kW			
45	Rated power	11 kW	Rated current	20.2 A	
46	Nominal speed	2935 rpm	Rated voltage	400 V	
47	Frame size	160	Service factor	1	
48	Weight	kg 83.2	Degree of protection	IP55	

Remarks					
49					
50					
50					
52					

NSCS 65-200/110/P25VCC4

Performance curve

Company name
Contact
Phone number
e-mail address

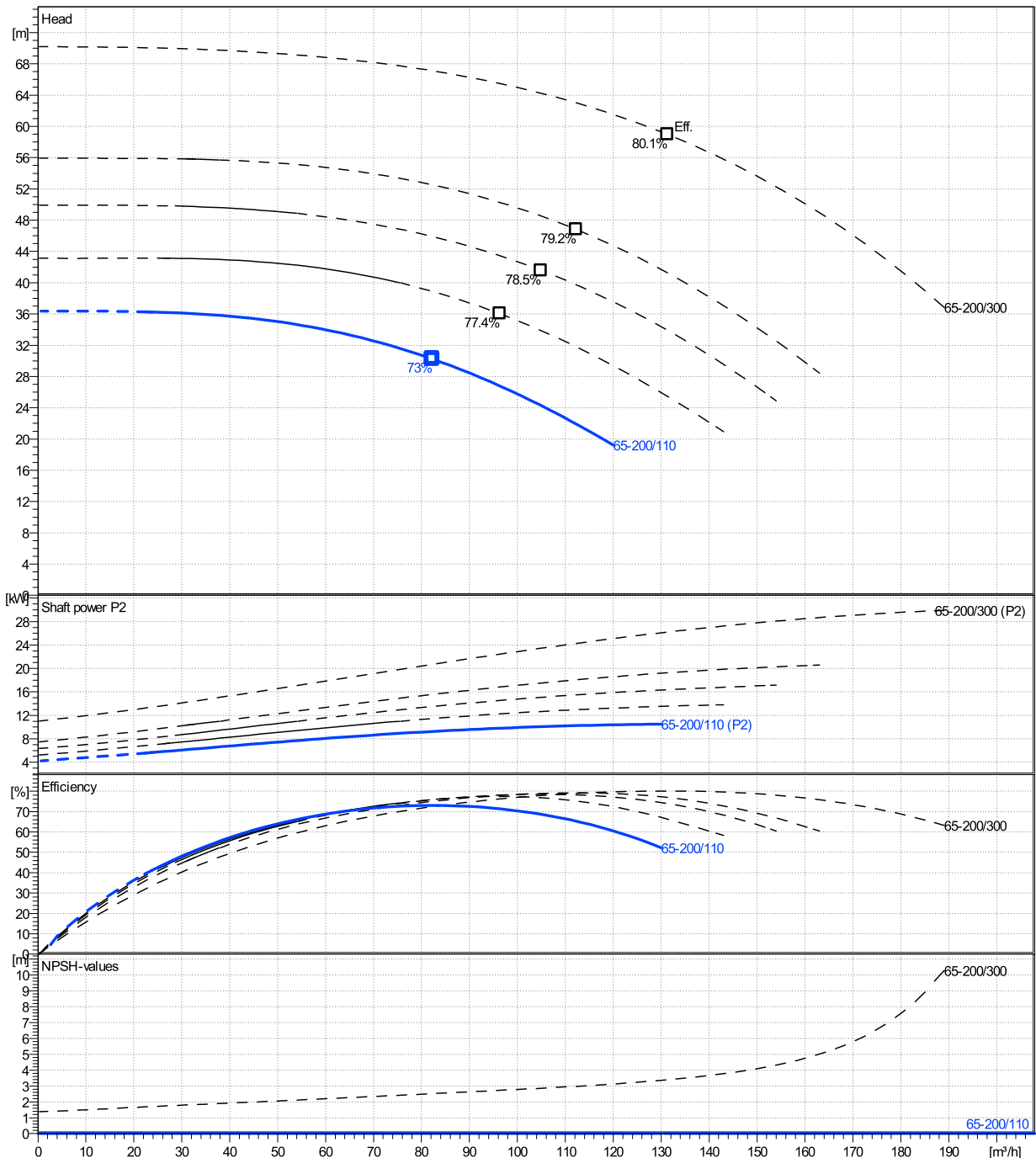
	Ø mm	Pump capacity			Pump head		Shaft power P2			Frequency		Hz	50
		Operating range Min. m³/h	Max. m³/h	η Max. m³/h	H(Q=0) m	η Max. m	P2(Q=0) kW	Max. kW	η Max. kW	Operating speed rpm	2900		
actual	165	23.8	120	82.2	36.4	30.3		10.5	9.25	Nominal flow	m³/h	0	
Min.	0	/	/	82.2	36.4	30.3		/	9.25	Nominal head	m	0	
Max.	220	/	/	131	70.2	59		/	26.2	Inlet pressure	kPa	0	
										Static head	m	0	

Power datas referred to:

hydr. Performance acceptance acc. To EN ISO 9906 Class Grade 3B

Water, pure [100%] ; 4°C; 1000kg/m³; 1.57mm²/s

MEI: >=0,4



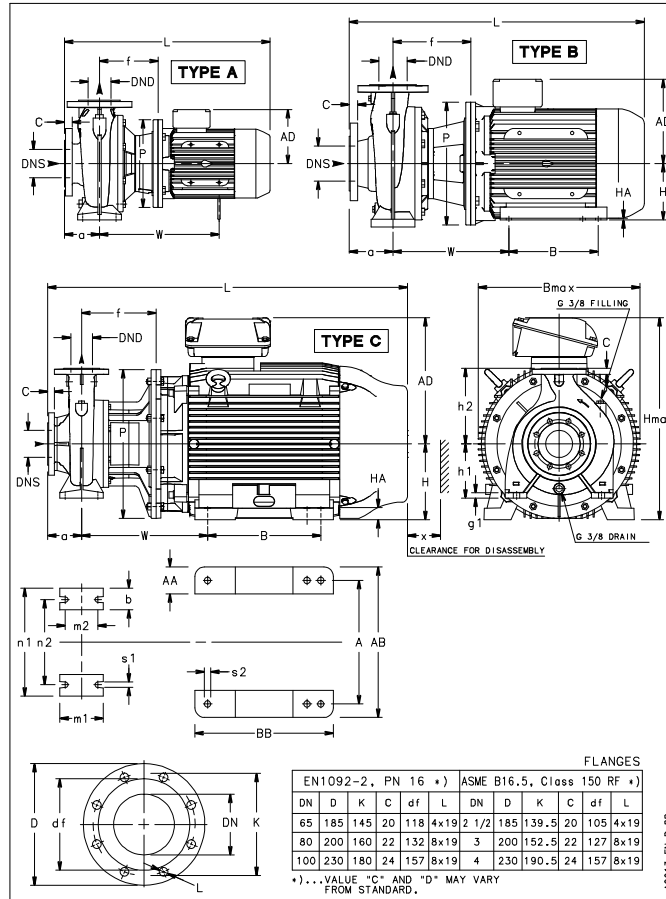
NSCS 65-200/110/P25VCC4

Dimensions

Company name
Contact
Phone number
e-mail address

Blockpump B35
2 poles motor
PLM 160 B35 11 kW

Electrical and dimensional data refer to IE3 motor



Dimensions		[mm]
a	100	
AD	240	
b	65	
Bmax	350	
Bmax	358	
DNd	65	
DNS	80	
f	222	
g1	16	
h1	180	
h2	225	
Hmax	420	
L	816	
m1	125	
m2	95	
n1	320	
n2	250	
P	350	
s1	14	
Type	B	
Volumen	0.11995	
w	330	
x	118	

Weight	
Total weight	136 kg

Connections			
Suction nozzle		Discharge nozzle	
DN 80		DN 65	
PN 16		PN 16	
EN1092-2		EN1092-2	
C	22	C	20
D	200	D	185
df	132	df	118
DN	80	DN	65
K	160	K	145
L	8 x 19	L	4 x 19

Dimensions and weight without obligation

Project	Xylect-20255621
Block	NSCS 65-200/300/L25VCC4

Created by	
Created on	11/26/2024

Last update 11/26/2024