

NSCS 65-200/185/P25VCC4

Performance curve

Company name
Contact
Phone number
e-mail address

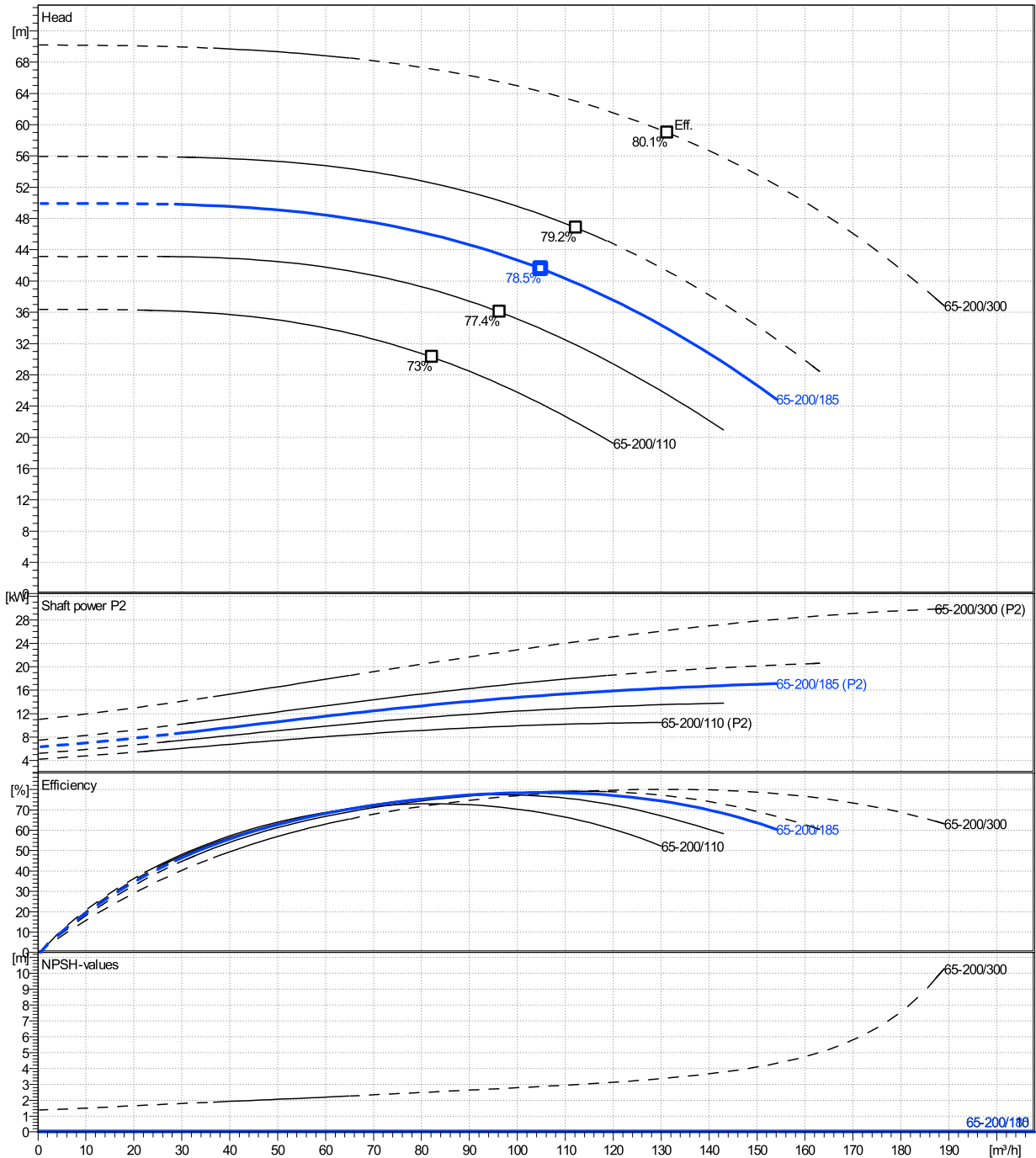
| | Ø mm | Pump capacity | | | Pump head | | Shaft power P2 | | | Frequency | | Hz | 50 |
|--------|---------|------------------------------|-----------|----------------|-------------|-------------|----------------|---------|--------------|------------------------|------|----|----|
| | | Operating range Min. m³/h | Max. m³/h | η Max. m³/h | H(Q=0) m | η Max. m | P2(Q=0) kW | Max. kW | η Max. kW | Operating speed rpm | 2900 | | |
| actual | 189 | 30.3 | 154 | 105 | 49.9 | 41.6 | | 17.2 | 15.1 | Nominal flow | m³/h | 0 | |
| Min. | 0 | / | / | 82.2 | 36.4 | 30.3 | | / | 9.25 | Nominal head | m | 0 | |
| Max. | 220 | / | / | 131 | 70.2 | 59 | | / | 26.2 | Inlet pressure | kPa | 0 | |
| | | | | | | | | | | Static head | m | 0 | |

Power datas referred to:

hydr. Performance acceptance acc. To EN ISO 9906 Class Grade 3B

Water, pure [100%] ; 4°C; 1000kg/m³; 1.57mm²/s

MEI: >=0,4



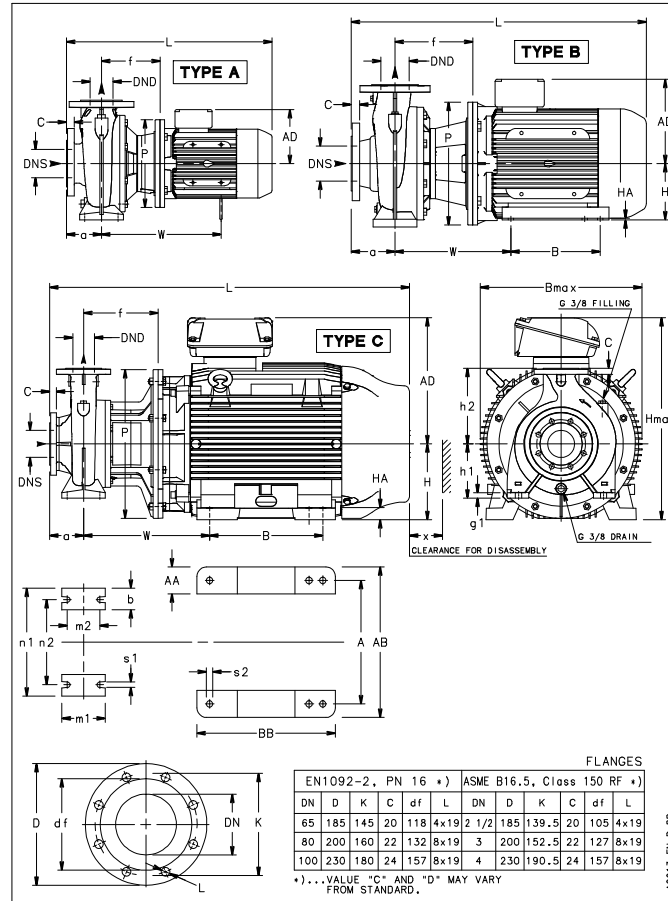
NSCS 65-200/185/P25VCC4

Dimensions

Company name
Contact
Phone number
e-mail address

Blockpump B35
2 poles motor
PLM 160 B35 18,5 kW

Electrical and dimensional data refer to IE3 motor



Dimensions [mm]

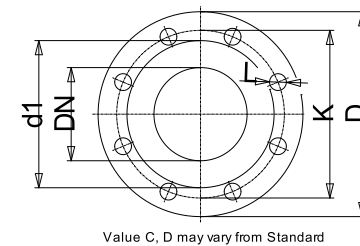
| | |
|---------|---------|
| a | 100 |
| AD | 240 |
| b | 65 |
| Bmax | 350 |
| Bmax | 358 |
| DNd | 65 |
| DNs | 80 |
| f | 222 |
| g1 | 16 |
| h1 | 180 |
| h2 | 225 |
| Hmax | 420 |
| L | 816 |
| m1 | 125 |
| m2 | 95 |
| n1 | 320 |
| n2 | 250 |
| P | 350 |
| s1 | 14 |
| Type | B |
| Volumen | 0.11995 |
| w | 330 |
| x | 118 |

Weight

| | |
|---------------------|-----------------|
| Total weight | 131.5 kg |
|---------------------|-----------------|

Connections

| Suction nozzle | | Discharge nozzle | |
|----------------|--------|------------------|--------|
| DN 80 | | DN 65 | |
| PN 16 | | PN 16 | |
| EN1092-2 | | EN1092-2 | |
| C | 22 | C | 20 |
| D | 200 | D | 185 |
| df | 132 | df | 118 |
| DN | 80 | DN | 65 |
| K | 160 | K | 145 |
| L | 8 x 19 | L | 4 x 19 |



Value C, D may vary from Standard

Dimensions and weight without obligation

| | |
|---------|-------------------------|
| Project | Xylect-20255621 |
| Block | NSCS 65-200/300/L25VCC4 |

Created by
Created on 11/26/2024

Last update 11/26/2024