

NSCS 80-160/220/P25VCC4

Technical data

Company name
Contact
Phone number
e-mail address

Operating data						
1	Pumpe type	Single head pump		Fluid	Water, pure	
2	No. of pumps	1		Operating temperature t A	°C	4
3	Nominal flow	m ³ /h	0	Max / Min Operating Temperature mech. Seal	°C	120 / -25
4	Nominal head	m	0	pH-value at t A		7
5	Static head	m	0	Density at t A	kg/m ³	1000
6	Inlet pressure	kPa	0	Kin. viscosity at t A	mm ² /s	1.569
7	Environmental temperature	°C	20	Vapor pressure at t A	kPa	100
8	Available system NPSH	m	0	Altitude		0

Pump data								
9	Lubrication	Standard, Grease lubrication [Std]						
10	Execution	2 poles motor						
11	Design	Horizontal						
12	Operating speed	2900 rpm	Stages	1				
13	Suction nozzle	DN 100	/	PN 16	/ EN1092-2			
14	Discharge nozzle	DN 80	/	PN 16	/ EN1092-2			
15	Max. casing pressure	kPa		Impeller Ø	Max.	mm	177	
16	Max. working pressure	kPa	415.3		designed	mm	177	
17	Impeller type	Radial impeller			Flow	Min.	mm	144
18	Head H(Q=0)	m	42			Nominal	m ³ /h	
19	Max. shaft power	kW	21.6		Head	Max-	m ³ /h	280
20	Pump weight	kg				Min-	m ³ /h	60
21	Total weight	kg	On demand		Shaft power	Nominal	m	
						at Qmax	m	18.1
					Efficiency	at Qmin	m	41.8
					Shaft power	kW		
					Efficiency	%		
					NPSH 3%	m		

Materials					
Pump			Shaft Seal		
22					
23	Volute Casing	Cast Iron		Single mechanical seal, without shaft sleeve	
24	Casing Cover	Cast Iron		eMG12 - Ø28mm	BQ7EGG-WA
25	Impeller	Cast Iron		Mechanical seal diameter	28 mm
26	Shaft	Stainless steel		1. Rotating ring	Carbon graphite resin impregnated
27	Wear ring	Stainless steel		2. Stationary ring	SiC, silicon carbide, sintered press.less
28	Impeller lock nut and washer	Stainless steel		3. Secondary seal	Ethylene propylene rubber (EPDM)
29	Impeller key	Stainless steel		4. Springs	CrNiMo - Steel
30	Fill and drain plugs	Stainless steel		5. Others	EPDM - WRAS
31				Gaskets of the pump	Ethylene propylene rubber (EPDM)
32					
33					
34					
35					
36					
37					
38					
39					
40					
41					

Motor data					
Electrical and dimensional data refer to IE3 motor					
42	Manufacturer	Lowara			
43	Specific design	IE3 3ph Flange Motor - Premium Efficiency			
44	Type	PLM 180R B35 22 kW			
45	Rated power	22 kW	Rated current	42.2 A	
46	Nominal speed	2950 rpm	Rated voltage	400 V	
47	Frame size	180R	Service factor	1	
48	Weight	kg 121.0	Degree of protection	IP55	

Remarks					
49					
50					
50					
52					

Project	Xylect-20303810	Created by		Last update	12/6/2024
Block	NSCS 80-160/220/P25VCC4	Created on	12/6/2024		

NSCS 80-160/220/P25VCC4

Performance curve

Company name
Contact
Phone number
e-mail address

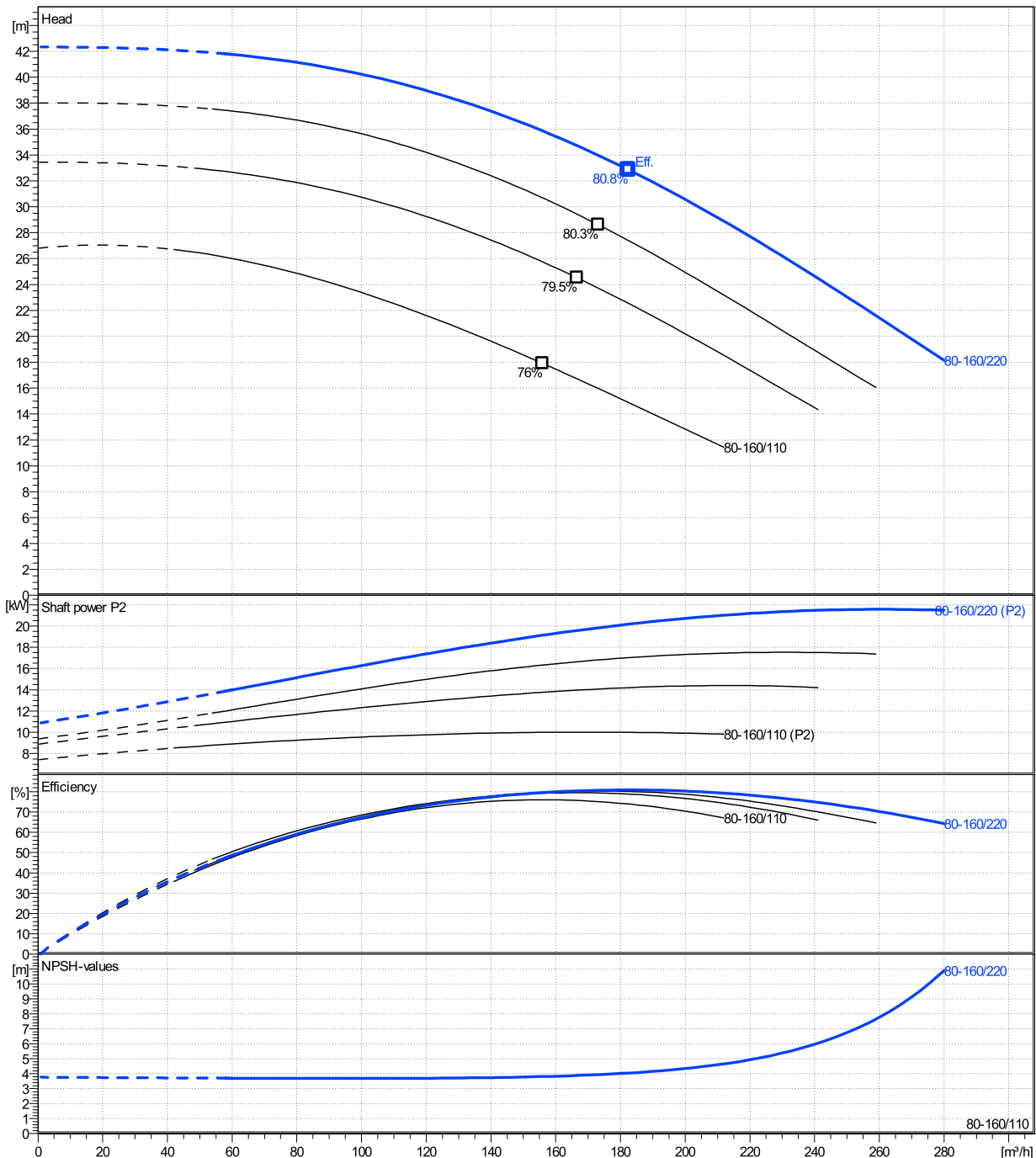
	Ø mm	Pump capacity			Pump head		Shaft power P2			Frequency	Hz	50
		Operating range Min. m³/h	Max. m³/h	η Max. m³/h	H(Q=0) m	η Max. m	P2(Q=0) kW	Max. kW	η Max. kW	Operating speed	rpm	2900
actual	177	60	280	182	42.3	32.9		21.6	20.2	Nominal flow	m³/h	0
Min.	0	/	/	156	26.8	17.9		/	9.99	Nominal head	m	0
Max.	177	/	/	182	42.3	32.9		/	20.2	Inlet pressure	kPa	0
										Static head	m	0

Power datas referred to:

Water, pure [100%] ; 4°C; 1000kg/m³; 1.57mm²/s

hydr. Performance acceptance acc. To EN ISO 9906 Class Grade 3B

MEI: >=0,4



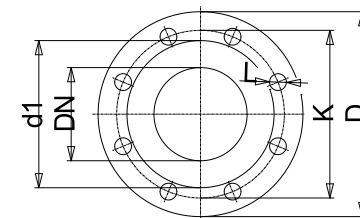
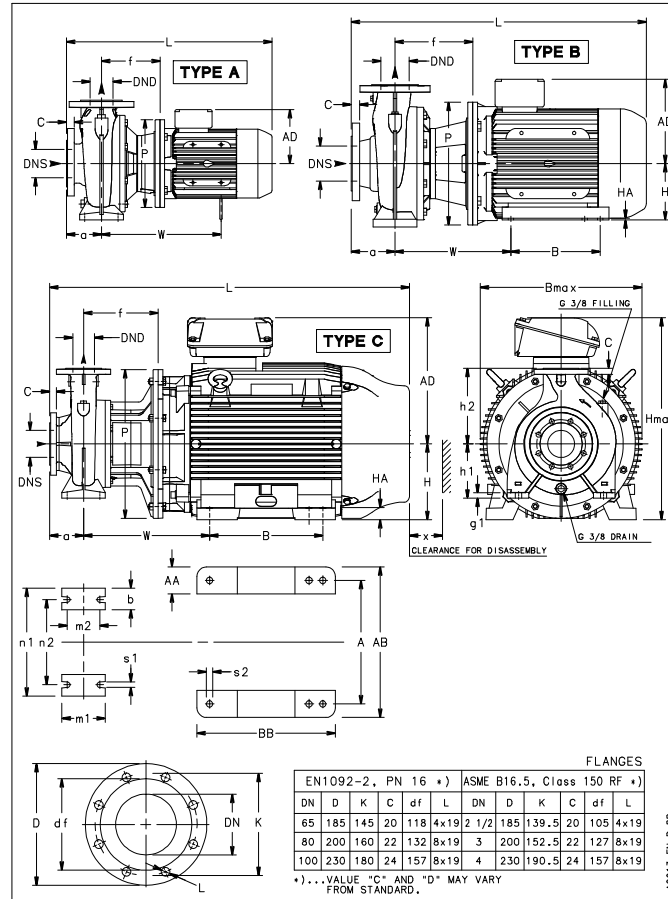
NSCS 80-160/220/P25VCC4

Dimensions

Company name
Contact
Phone number
e-mail address

Blockpump B35
2 poles motor
PLM 180R B35 22 kW

Electrical and dimensional data refer to IE3 motor



Value C, D may vary from Standard

Dimensions [mm]

a	125
AD	240
b	65
DNd	80
DNs	100
g1	16
h1	180
h2	225
Hmax	420
m1	125
m2	95
n1	320
n2	250
P	350
s1	14
x	122

Weight

Total weight	On demand kg
--------------	--------------

Connections

Suction nozzle		Discharge nozzle	
DN 100		DN 80	
PN 16		PN 16	
EN1092-2		EN1092-2	
C	24	C	22
D	230	D	200
df	157	df	132
DN	100	DN	80
K	180	K	160
L	8 x 19	L	8 x 19

Dimensions and weight without obligation

Project	Xylect-20303810
Block	NSCS 80-160/220/P25VCC4

Created by
Created on 12/6/2024

Last update 12/6/2024