

NSCS 80-200/370/L25VCC4

Technical data

Company name
Contact
Phone number
e-mail address

Operating data				
1	Pumpe type	Single head pump	Fluid	Water, pure
2	No. of pumps	1	Operating temperature t A	°C 4
3	Nominal flow	m³/h 0	Max / Min Operating Temperature mech. Seal	°C 120 / -25
4	Nominal head	m 0	pH-value at t A	7
5	Static head	m 0	Density at t A	kg/m³ 1000
6	Inlet pressure	kPa 0	Kin. viscosity at t A	mm²/s 1.569
7	Environmental temperature	°C 20	Vapor pressure at t A	kPa 100
8	Available system NPSH	m 0	Altitude	0

Pump data				
9	Lubrication	Standard, Grease lubrication [Std]		
10	Execution	2 poles motor		
11	Design	Horizontal		
12	Operating speed	2900 rpm	Stages	1
13	Suction nozzle	DN 100 /	PN 16 /	EN1092-2
14	Discharge nozzle	DN 80 /	PN 16 /	EN1092-2
15	Max. casing pressure	kPa		
16	Max. working pressure	kPa	593.4	
17	Impeller type	Radial impeller		
18	Head H(Q=0)	m	60	
19	Max. shaft power	kW	35.2	
20	Pump weight	kg		
21	Total weight	kg	277.8	

Materials				
22		Pump		Shaft Seal
23	Volute Casing	Cast Iron		Single mechanical seal, without shaft sleeve
24	Casing Cover	Cast Iron		eMG12 - Ø38mm
25	Impeller	Cast Iron		Mechanical seal diameter
26	Shaft	Stainless steel		38 mm
27	Wear ring	Stainless steel		1. Rotating ring
28	Impeller lock nut and washer	Stainless steel		Carbon graphite resin impregnated
29	Impeller key	Stainless steel		2. Stationary ring
30	Fill and drain plugs	Stainless steel		SiC, silicon carbide, sintered press.less
31				3. Secondary seal
32				Ethylene propylene rubber (EPDM)
33				4. Springs
34				CrNiMo - Steel
35				5. Others
36				EPDM - WRAS
37				Gaskets of the pump
38				Ethylene propylene rubber (EPDM)
39				
40				
41				

Motor data				
Electrical and dimensional data refer to IE3 motor				
42	Manufacturer	Lowara		
43	Specific design	IE3 3ph Flange Motor - Premium Efficiency		
44	Type	3MAS 200 L B35 37 kW		
45	Rated power	37 kW	Rated current	63.8 A
46	Nominal speed	2965 rpm	Rated voltage	400 V
47	Frame size	200 L	Service factor	1
48	Weight	kg 230.8	Degree of protection	IP55

Remarks				
49				
50				
50				
52				

NSCS 80-200/370/L25VCC4

Performance curve

Company name
Contact
Phone number
e-mail address

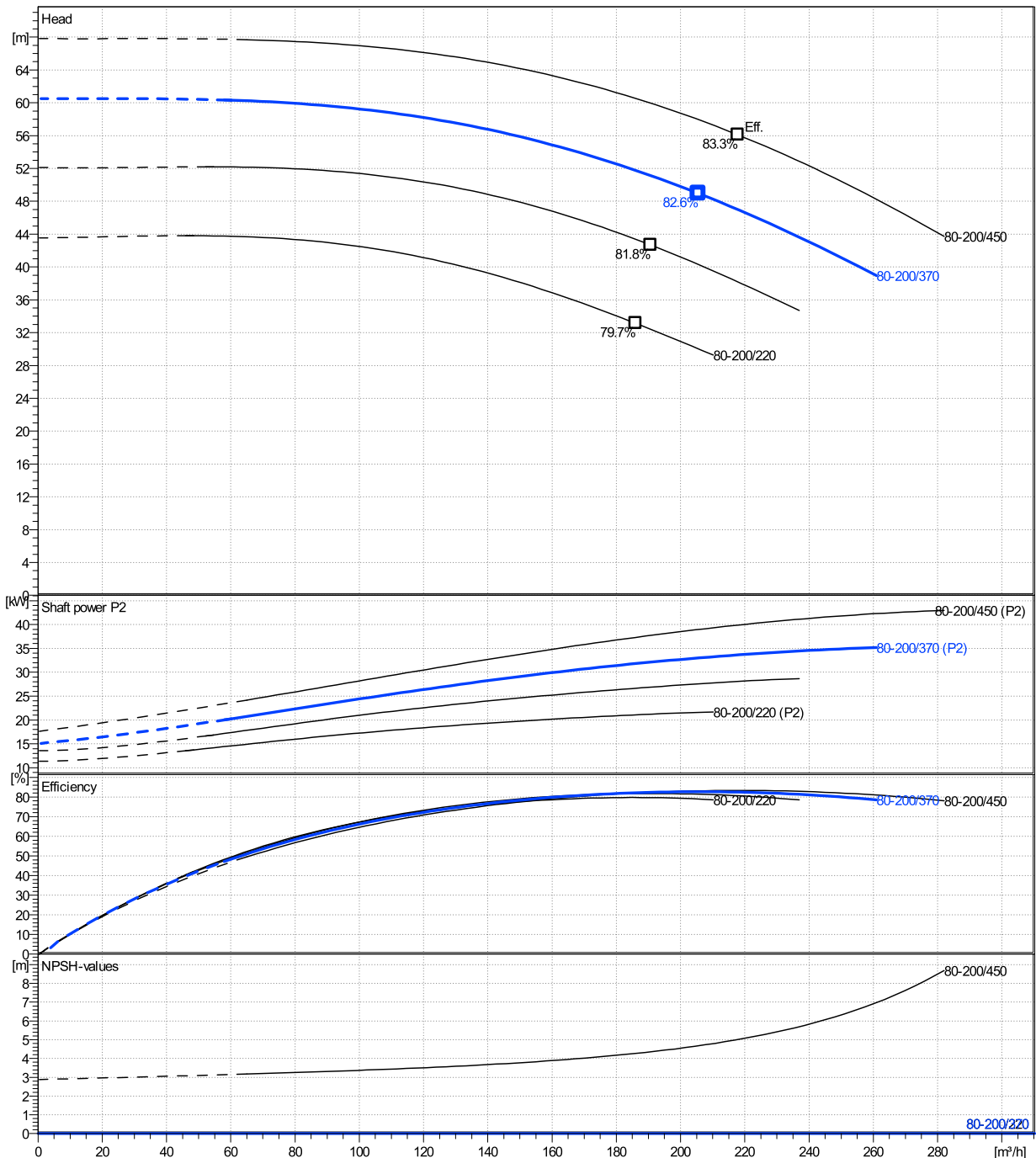
	Ø mm	Pump capacity			Pump head		Shaft power P2			Frequency	Hz	50
		Operating range Min. m³/h	Max. m³/h	η Max. m³/h	H(Q=0) m	η Max. m	P2(Q=0) kW	Max. kW	η Max. kW	Operating speed	rpm	2900
actual	208	60.2	261	206	60.5	49	35.2	33	Nominal flow	m³/h	0	
Min.	0	/	/	186	43.5	33.1	/	21.1	Nominal head	m	0	
Max.	219	/	/	218	67.8	56.1	/	39.9	Inlet pressure	kPa	0	
									Static head	m	0	

Power datas referred to:

hydr. Performance acceptance acc. To EN ISO 9906 Class Grade 3B

Water, pure [100%] ; 4°C; 1000kg/m³; 1.57mm²/s

MEI: >=0,4



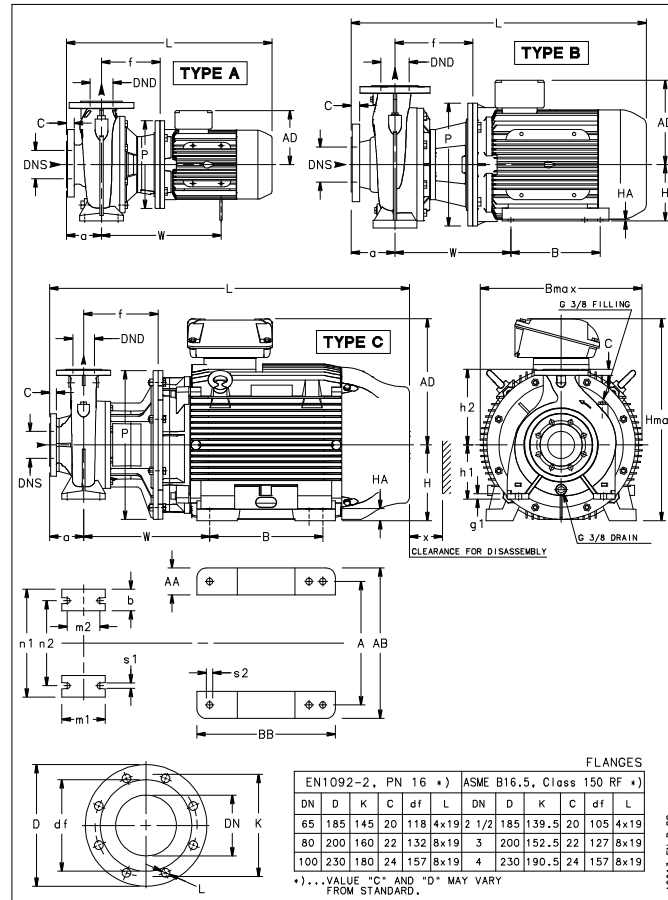
NSCS 80-200/370/L25VCC4

Dimensions

Company name
Contact
Phone number
e-mail address

Blockpump B35
2 poles motor
3MAS 200 L B35 37 kW

Electrical and dimensional data refer to IE3 motor



Dimensions [mm]

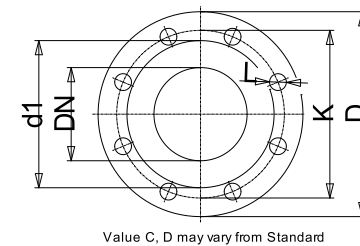
a	125
AD	300
b	65
Bmax	408
Bmax	460
DNd	80
DNS	100
f	246
g1	16
h1	180
h2	250
Hmax	480
L	1042
m1	125
m2	95
n1	345
n2	280
P	400
s1	14
Type	C
Volumen	0.23007
w	379
x	151

Weight

Total weight	277.8 kg
---------------------	-----------------

Connections

Suction nozzle		Discharge nozzle	
DN 100		DN 80	
PN 16		PN 16	
EN1092-2		EN1092-2	
C	24	C	22
D	230	D	200
df	157	df	132
DN	100	DN	80
K	180	K	160
L	8 x 19	L	8 x 19



Value C, D may vary from Standard

Dimensions and weight without obligation

Project	Xylect-20260347
Block	NSCS 80-200/450/L25VCC4

Created by
Created on 11/27/2024

Last update 11/27/2024