

NSCS100-160/75/P46PCC4

Technical data

Company name
Contact
Phone number
e-mail address

Operating data						
1	Pumpe type	Single head pump		Fluid	Water, pure	
2	No. of pumps	1		Operating temperature t A	°F	39.2
3	Nominal flow	US g.p.m.	0	Max / Min Operating Temperature mech. Seal	°F	120 / -25
4	Nominal head	ft	0	pH-value at t A		7
5	Static head	ft	0	Density at t A	lb/ft ³	62.4
6	Inlet pressure	psi	0	Kin. viscosity at t A	ft ² /s	1.689E-5
7	Environmental temperature	°F	68	Vapor pressure at t A	psi	14.5
8	Available system NPSH	ft	0	Altitude		0

Pump data						
9	Lubrication	32				
10	Execution	Standard Design (Type A)				
11	Design	Horizontal				
12	Operating speed	1760 rpm	Stages	1		
13	Suction nozzle	DN125	/	PN10/16	/ EN1092-2	
14	Discharge nozzle	DN100	/	PN10/16	/ EN1092-2	
15	Max. casing pressure	psi				
16	Max. working pressure	psi	22.6			
17	Impeller type	Radial impeller				
18	Head H(Q=0)	ft	52			
19	Max. shaft power	hp	8.8			
20	Pump weight	kg				
21	Total weight	lb	318.8			

	Impeller Ø	Max.	inch	7 1/2
		designed	inch	7 1/2
		Min.	inch	6 1/8
		Nominal US g.p.m.		
	Flow	Max-	US g.p.m.	1012.7
		Min-	US g.p.m.	132.1
		Nominal		
	Head	at Qmax	ft	23.5
		at Qmin	ft	51.9
	Shaft power	hp		
	Efficiency	%		
	NPSH 3%	ft		

Materials						
	Pump			Shaft Seal		
23	Volute Casing	Cast Iron, EN 1561 - GJL-250, ASTM Class 35			Single mechanical seal, without shaft sleeve	
24	Impeller	Cast Iron, EN 1561 - GJL-200, ASTM Class 30			eMG12 - Ø38mm	BQ7EGG-WA
25	Casing Cover	Cast Iron, EN 1561 - GJL-250, ASTM Class 35			Mechanical seal diameter	1 1/2 inch
26	Shaft	Stainless steel, 1.4057, AISI 431			1. Rotating ring	Carbon graphite resin impregnated
27	Wear ring	Stainless steel, 1.4301, AISI 304			2. Stationary ring	SiC, silicon carbide, sintered press.less
28	Impeller lock nut and washer	A4 (1.4401)			3. Secondary seal	Ethylene propylene rubber (EPDM)
29	Impeller key	Stainless steel, 1.4571, AISI 316Ti			4. Springs	CrNiMo - Steel
30	Fill and drain plugs	Galvanized carbon steel, EN 10277-3, AISI 1213 / 1215			5. Others	EPDM - WRAS
31	Bearing bracket	Cast Iron, EN 1561 - GJL-250, ASTM Class 35			Gaskets of the pump	Ethylene propylene rubber (EPDM)
32						
33						
34						
35						
36						
37						
38						
39						
40						
41						

Motor data					
Electrical and dimensional data refer to IE3 motor					
42	Manufacturer	Lowara			
43	Specific design	IE3 3ph Flange Motor - Premium Efficiency			
44	Type	PLM 132 B5 7,5 kW			
45	Rated power	10.058 hp	Rated current	15.4 A	
46	Nominal speed	1746 rpm	Rated voltage	380 V	
47	Frame size	132	Service factor	1	
48	Weight	lb 146.8	Degree of protection	IP55	

Remarks					
49					
50					
50					
52					

NSCS100-160/75/P46PCC4

Performance curve

Company name
Contact
Phone number
e-mail address

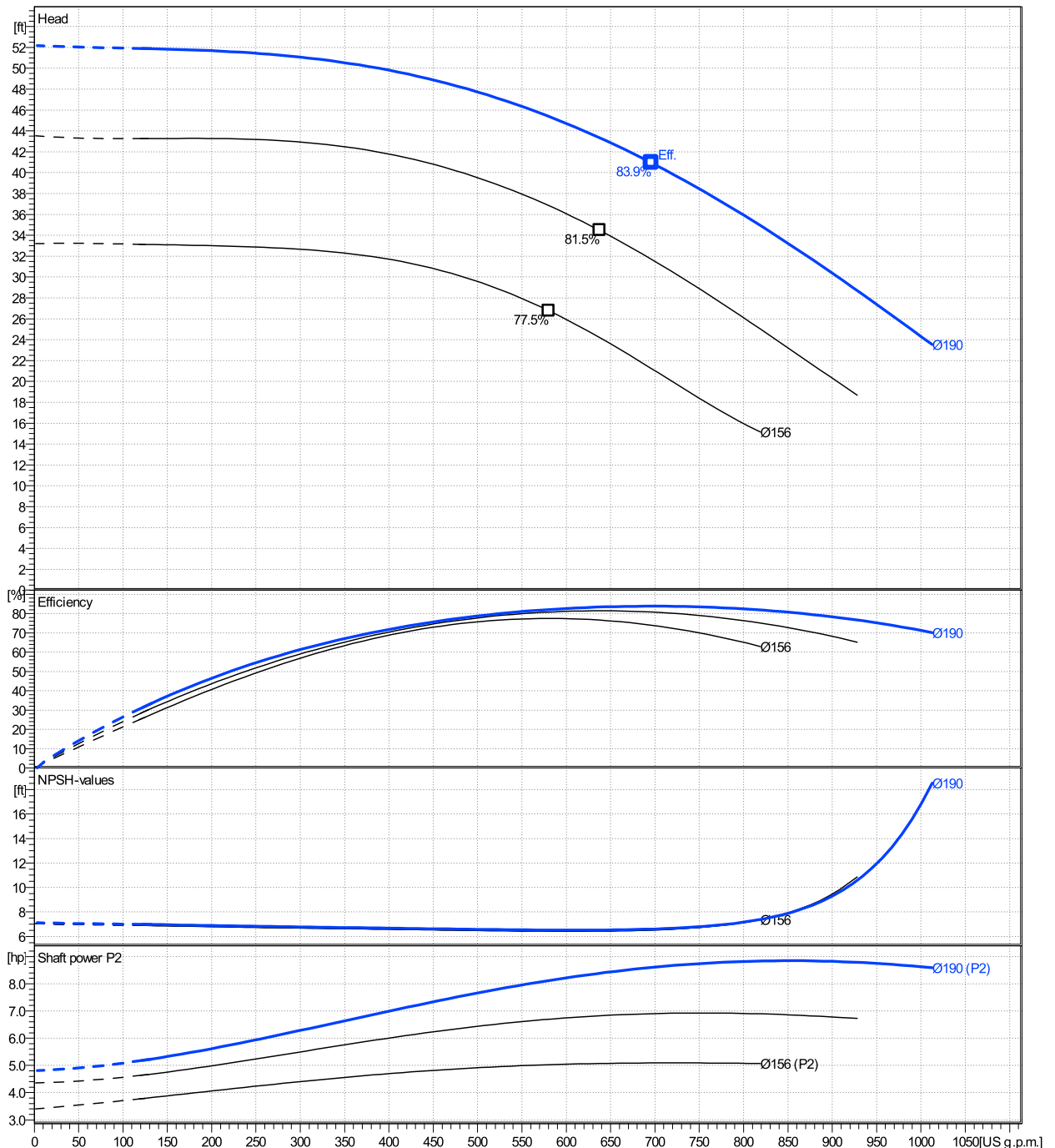
	Ø mm	Pump capacity			Pump head		Shaft power P2			Frequency		Hz	60
		Operating range Min. US g.p.m.	Max. US g.p.m.	η Max. US g.p.m.	H(Q=0) ft	η Max. ft	P2(Q=0) hp	Max. hp	η Max. hp	Operating speed rpm	Nominal flow US g.p.m.		
actual	7 1/2	132	1010	696	52.2	41		8.85	8.6	Nominal head	ft	0	
Min.	0	/	/	580	33.2	26.8		/	5.03	Inlet pressure	psi	0	
Max.	7 1/2	/	/	696	52.2	41		/	8.6	Static head	ft	0	

Power datas referred to:

hydr. Performance acceptance acc. To EN ISO 9906 Class Grade 3B

Water, pure [100%] ; 39.2°F; 62.4lb/ft³; 1.69E-5ft²/s

MEI: >=0,70 - according to Ecodesign Directive 2009/125/EC and Regulation (EU) No.547/2012



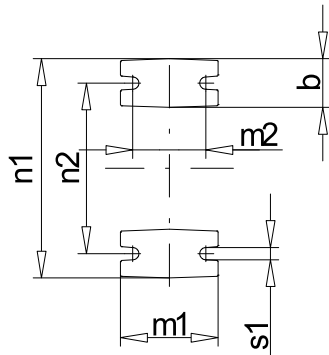
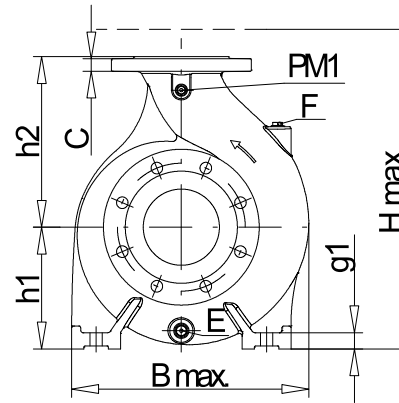
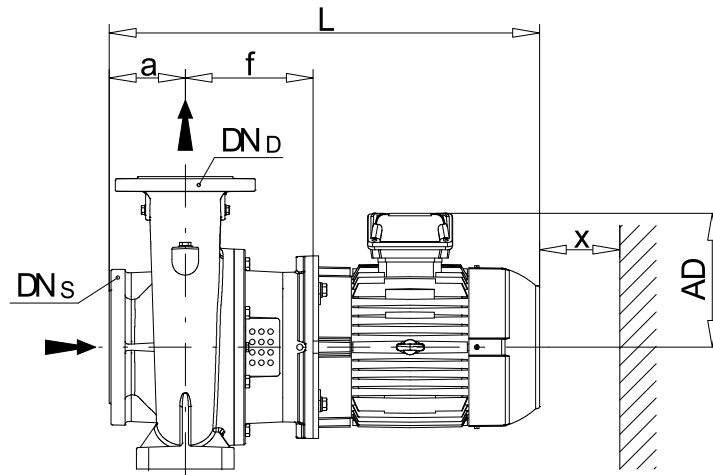
NSCS100-160/75/P46PCC4

Dimensions

Company name
Contact
Phone number
e-mail address

Blockpump
Standard Design (Type A)
PLM 132 B5 7,5 kW

Electrical and dimensional data refer to IE3 motor



PM1... Pressure gauge connector
E... Drain
F... Filling



Value C, D may vary from Standard

Dimensions [inch]			
a	4 ¹⁵ / ₁₆	Volumen	1 ¹ / ₁₂₈
AD	7 ¹ / ₂	x	3 ¹ / ₈
b	3 ¹ / ₈		
Bmax	15 ¹ / ₄		
CTO			
DNd	3 ¹⁵ / ₁₆		
DNs	4 ¹⁵ / ₁₆		
E	3/8"		
f	8 ¹ / ₄		
F	3/8"		
g1	1 ¹ / ₃₂		
h1	7 ⁷ / ₈		
h2	11 ¹ / ₃₂		
Hmax	18 ⁷ / ₈		
L	29 ⁷ / ₈		
m1	6 ⁵ / ₁₆		
m2	4 ³ / ₄		
n1	14 ³ / ₁₆		
n2	11 ¹ / ₃₂		
P	11 ¹³ / ₁₆		
PM1	1/4"		
s1	3/4		
Trim			
Type	A		

Weight	
Total weight	144.6 kg

Connections			
Suction nozzle		Discharge nozzle	
DN125		DN100	
PN10/16		PN10/16	
EN1092-2		EN1092-2	
C	1 ¹ / ₃₂	C	1 ⁵ / ₁₆
D	10 ¹ / ₁₆	D	9 ¹ / ₁₆
d1	7 ¹ / ₄	d1	6 ³ / ₁₆
K	8 ¹ / ₄	K	7 ¹ / ₁₆
L	3/4	L	3/4
Z	5/16	Z	5/16

Dimensions and weight without obligation

Project	Xylect-20178897	Created by		Last update	1/10/2025
Block	NSCS100-160/550/L26UCC4	Created on	1/10/2025		