

# NSCS100-200/55/P46PCC4

## Technical data

Company name  
Contact  
Phone number  
e-mail address

Operating data						
1	Pumpe type	Single head pump		Fluid	Water, pure	
2	No. of pumps	1		Operating temperature t A	°F	39.2
3	Nominal flow	US g.p.m.	0	Max / Min Operating Temperature mech. Seal	°F	120 / -25
4	Nominal head	ft	0	pH-value at t A		7
5	Static head	ft	0	Density at t A	lb/ft <sup>3</sup>	62.4
6	Inlet pressure	psi	0	Kin. viscosity at t A	ft <sup>2</sup> /s	1.689E-5
7	Environmental temperature	°F	68	Vapor pressure at t A	psi	14.5
8	Available system NPSH	ft	0	Altitude		0

Pump data						
9	Lubrication	32				
10	Execution	Standard Design (Type A)				
11	Design	Horizontal				Impeller Ø
12	Operating speed	1765 rpm	Stages	1		Max. inch 9 1/32
13	Suction nozzle	DN125 / PN10/16 / EN1092-2				designed inch 7 1/16
14	Discharge nozzle	DN100 / PN10/16 / EN1092-2				Min. inch 7 1/16
15	Max. casing pressure	psi				Nominal US g.p.m.
16	Max. working pressure	psi	21			Max- US g.p.m. 836.5
17	Impeller type	Radial impeller				Min- US g.p.m. 123.3
18	Head H(Q=0)	ft	48			Nominal ft
19	Max. shaft power	hp	7.1			at Qmax ft 18.8
20	Pump weight	kg				at Qmin ft 48.1
21	Total weight	lb	305.6			Shaft power hp
						Efficiency %
						NPSH 3% ft

Materials					
Pump			Shaft Seal		
22					
23	Volute Casing	Cast Iron, EN 1561 - GJL-250, ASTM Class 35		Single mechanical seal, without shaft sleeve	
24	Impeller	Cast Iron, EN 1561 - GJL-200, ASTM Class 30		eMG12 - Ø38mm	BQ7EGG-WA
25	Casing Cover	Cast Iron, EN 1561 - GJL-250, ASTM Class 35		Mechanical seal diameter	1 1/2 inch
26	Shaft	Stainless steel, 1.4057, AISI 431		1. Rotating ring	Carbon graphite resin impregnated
27	Wear ring	Stainless steel, 1.4301, AISI 304		2. Stationary ring	SiC, silicon carbide, sintered press.less
28	Impeller lock nut and washer	A4 (1.4401)		3. Secondary seal	Ethylene propylene rubber (EPDM)
29	Impeller key	Stainless steel, 1.4571, AISI 316Ti		4. Springs	CrNiMo - Steel
30	Fill and drain plugs	Galvanized carbon steel, EN 10277-3, AISI 1213 / 1215		5. Others	EPDM - WRAS
31	Bearing bracket	Cast Iron, EN 1561 - GJL-250, ASTM Class 35		Gaskets of the pump	Ethylene propylene rubber (EPDM)
32					
33					
34					
35					
36					
37					
38					
39					
40					
41					

Motor data					
Electrical and dimensional data refer to IE3 motor					
42	Manufacturer	Lowara			
43	Specific design	IE3 3ph Flange Motor - Premium Efficiency			
44	Type	PLM 132 B5 5,5 kW			
45	Rated power	7.3756 hp	Rated current	11.6 A	
46	Nominal speed	1758 rpm	Rated voltage	380 V	
47	Frame size	132	Service factor	1	
48	Weight	lb 138.0	Degree of protection	IP55	

Remarks					
49					
50					
50					
52					

Project	Xylect-2017897	Created by		Last update	1/10/2025
Block	NSCS100-200/900/L26UCC4 E4	Created on	1/10/2025		

# NSCS100-200/55/P46PCC4

## Performance curve

Company name  
Contact  
Phone number  
e-mail address

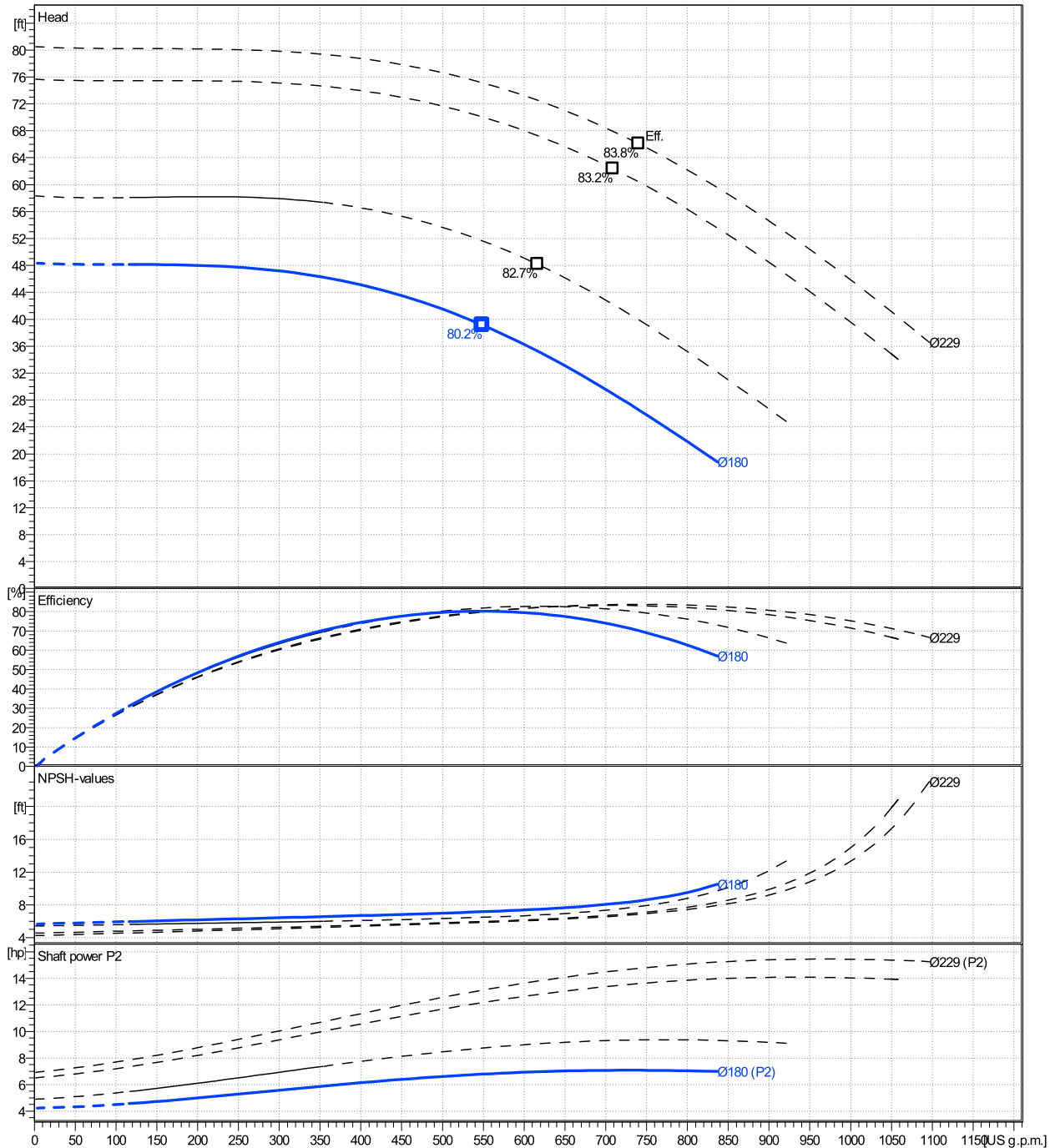
	Ø mm	Pump capacity			Pump head		Shaft power P2			Frequency	Hz	
		Operating range Min. US g.p.m.	Max. US g.p.m.	η Max. US g.p.m.	H(Q=0) ft	η Max. ft	P2(Q=0) hp	Max. hp	η Max. hp	Operating speed	rpm	
actual	7 1/16	123	837	549	48.3	39.2		7.08	6.79	Nominal flow	US g.p.m.	0
Min.	0	/	/	549	48.3	39.2		/	6.79	Nominal head	ft	0
Max.	9 1/32	/	/	740	80.5	66.1		/	14.8	Inlet pressure	psi	0
										Static head	ft	0

**Power datas referred to:**

hydr. Performance acceptance acc. To EN ISO 9906 Class Grade 3B

Water, pure [100%] ; 39.2°F; 62.4lb/ft³; 1.69E-5ft²/s

MEI: 0,69 - according to Ecodesign Directive 2009/125/EC and Regulation (EU) No.547/2012



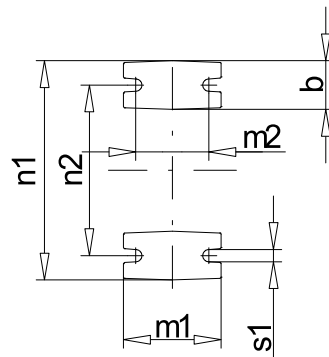
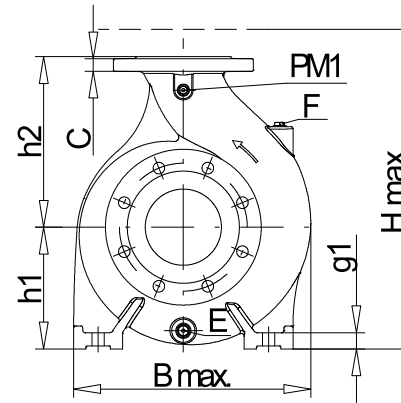
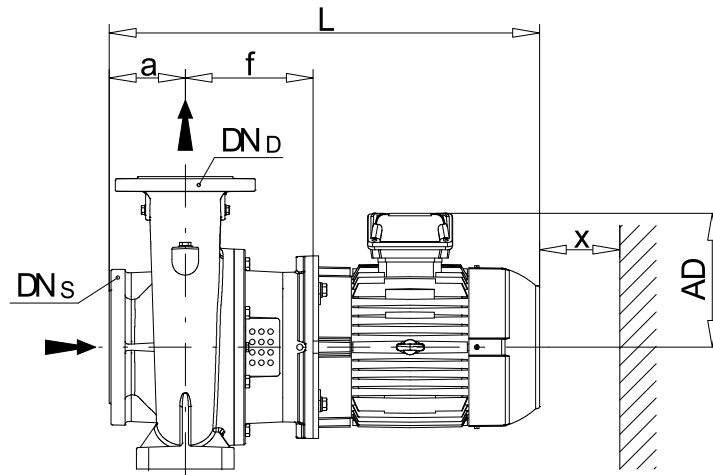
# NSCS100-200/55/P46PCC4

## Dimensions

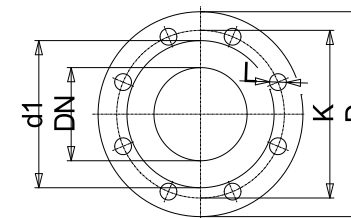
Company name  
Contact  
Phone number  
e-mail address

Blockpump  
Standard Design (Type A)  
PLM 132 B5 5,5 kW

Electrical and dimensional data refer to IE3 motor



PM1...Pressure gauge connector  
E...Drain  
F....Filling



Value C, D may vary from Standard

Dimensions		[ inch ]	
a	4 <sup>15</sup> / <sub>16</sub>	Volumen	1 <sup>1</sup> / <sub>128</sub>
AD	7 <sup>1</sup> / <sub>2</sub>	x	3 <sup>1</sup> / <sub>8</sub>
b	3 <sup>1</sup> / <sub>8</sub>		
Bmax	15 <sup>3</sup> / <sub>8</sub>		
CTO			
DNd	3 <sup>15</sup> / <sub>16</sub>		
DNs	4 <sup>15</sup> / <sub>16</sub>		
E	3/8"		
f	8 <sup>1</sup> / <sub>4</sub>		
F	3/8"		
g1	1 <sup>1</sup> / <sub>32</sub>		
h1	7 <sup>7</sup> / <sub>8</sub>		
h2	11 <sup>1</sup> / <sub>32</sub>		
Hmax	18 <sup>7</sup> / <sub>8</sub>		
L	29 <sup>1</sup> / <sub>8</sub>		
m1	6 <sup>5</sup> / <sub>16</sub>		
m2	4 <sup>3</sup> / <sub>4</sub>		
n1	14 <sup>3</sup> / <sub>16</sub>		
n2	11 <sup>1</sup> / <sub>32</sub>		
P	11 <sup>13</sup> / <sub>16</sub>		
PM1	1/4"		
s1	3/4		
Trim			
Type	A		

Weight	
Total weight	138.6 kg

Connections			
Suction nozzle		Discharge nozzle	
DN125		DN100	
PN10/16		PN10/16	
EN1092-2		EN1092-2	
C	1 <sup>1</sup> / <sub>32</sub>	C	1 <sup>5</sup> / <sub>16</sub>
D	10 <sup>1</sup> / <sub>16</sub>	D	9 <sup>1</sup> / <sub>16</sub>
d1	7 <sup>1</sup> / <sub>4</sub>	d1	6 <sup>3</sup> / <sub>16</sub>
K	8 <sup>1</sup> / <sub>4</sub>	K	7 <sup>1</sup> / <sub>16</sub>
L	3/4	L	3/4
Z	5/16	Z	5/16

### Dimensions and weight without obligation

Project	Xylect-20178897	Created by		Last update	1/10/2025
Block	NSCS100-200/900/L26UCC4 E4	Created on	1/10/2025		