

NSCS100-250/150/P46PCC4

Technical data

Company name
Contact
Phone number
e-mail address

Operating data			
1	Pumpe type	Single head pump	Fluid Water, pure
2	No. of pumps	1	Operating temperature t A °F 39.2
3	Nominal flow	US g.p.m. 0	Max / Min Operating Temperature mech. Seal °F 120 / -25
4	Nominal head	ft 0	pH-value at t A 7
5	Static head	ft 0	Density at t A lb/ft³ 62.4
6	Inlet pressure	psi 0	Kin. viscosity at t A ft²/s 1.689E-5
7	Environmental temperature	°F 68	Vapor pressure at t A psi 14.5
8	Available system NPSH	ft 0	Altitude 0

Pump data			
9	Lubrication	32	
10	Execution	Standard Design (Type B)	
11	Design	Horizontal	
12	Operating speed	1765 rpm	Stages 1
13	Suction nozzle	DN125 / PN10/16 / EN1092-2	Impeller Ø
14	Discharge nozzle	DN100 / PN10/16 / EN1092-2	
15	Max. casing pressure	psi	Flow
16	Max. working pressure	psi 39.7	
17	Impeller type	Radial impeller	
18	Head H(Q=0)	ft 92	Head
19	Max. shaft power	hp 19.4	
20	Pump weight	kg	Shaft power hp
21	Total weight	lb 482.8	
			Efficiency %
			NPSH 3% ft

Materials			
22		Pump	Shaft Seal
23	Volute Casing	Cast Iron, EN 1561 - GJL-250, ASTM Class 35	Single mechanical seal, without shaft sleeve
24	Impeller	Cast Iron, EN 1561 - GJL-200, ASTM Class 30	eMG12 - Ø38mm BQ7EGG-WA
25	Casing Cover	Cast Iron, EN 1561 - GJL-250, ASTM Class 35	Mechanical seal diameter 1 1/2 inch
26	Shaft	Stainless steel, 1.4057, AISI 431	1. Rotating ring Carbon graphite resin impregnated
27	Wear ring	Stainless steel, 1.4301, AISI 304	2. Stationary ring SiC, silicon carbide, sintered press.less
28	Impeller lock nut and washer	A4 (1.4401)	3. Secondary seal Ethylene propylene rubber (EPDM)
29	Impeller key	Stainless steel, 1.4571, AISI 316Ti	4. Springs CrNiMo - Steel
30	Fill and drain plugs	Galvanized carbon steel, EN 10277-3, AISI 1213 / 1215	5. Others EPDM - WRAS
31	Bearing bracket	Cast Iron, EN 1561 - GJL-250, ASTM Class 35	Gaskets of the pump Ethylene propylene rubber (EPDM)
32			
33			
34			
35			
36			
37			
38			
39			
40			
41			

Motor data			
Electrical and dimensional data refer to IE3 motor			
42	Manufacturer	Lowara	
43	Specific design	IE3 3ph Flange Motor - Premium Efficiency	
44	Type	PLM 160 B35 15 kW	
45	Rated power	20.115 hp	Rated current 29.9 A
46	Nominal speed	1764 rpm	Rated voltage 380 V
47	Frame size	160	Service factor 1
48	Weight	lb 284.4	Degree of protection IP55

Remarks			
49			
50			
50			
52			

NSCS100-250/150/P46PCC4

Performance curve

Company name
Contact
Phone number
e-mail address

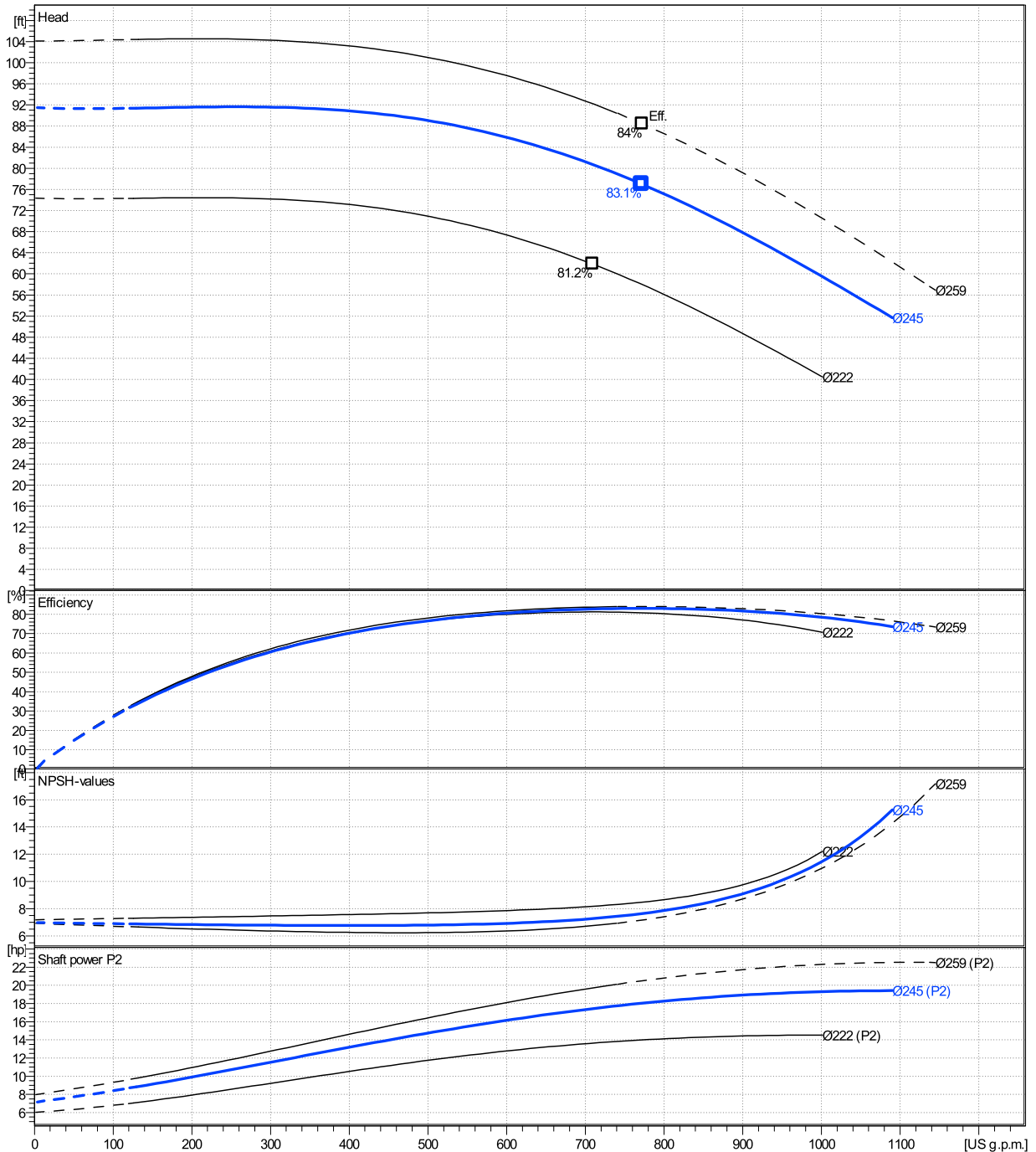
	Ø mm	Pump capacity			Pump head		Shaft power P2			Frequency	Hz	
		Operating range Min. US g.p.m.	Max. US g.p.m.	η Max. US g.p.m.	H(Q=0) ft	η Max. ft	P2(Q=0) hp	Max. hp	η Max. hp	Operating speed	rpm	
actual	9 5/8	129	1090	771	91.5	77		19.4	18	Nominal flow	US g.p.m.	0
Min.	0	/	/	709	74.4	61.9		/	13.6	Nominal head	ft	0
Max.	10 3/16	/	/	772	104	88.4		/	20.5	Inlet pressure	psi	0
										Static head	ft	0

Power datas referred to:

hydr. Performance acceptance acc. To EN ISO 9906 Class Grade 3B

Water, pure [100%] ; 39.2°F; 62.4lb/ft³; 1.69E-5ft²/s

MEI: >=0,70 - according to Ecodesign Directive 2009/125/EC and Regulation (EU) No.547/2012



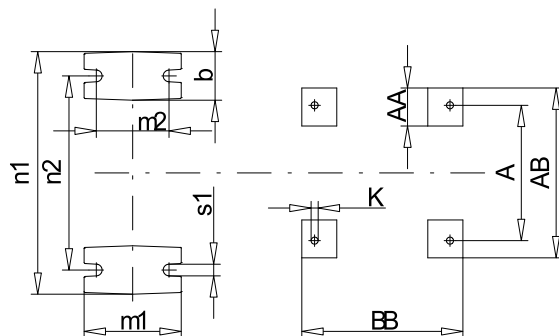
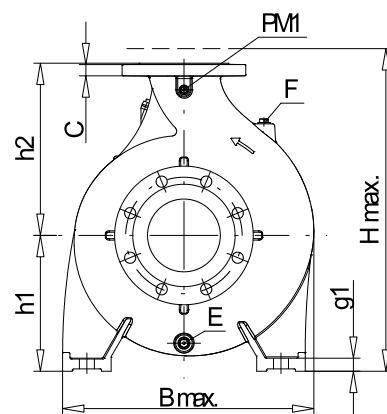
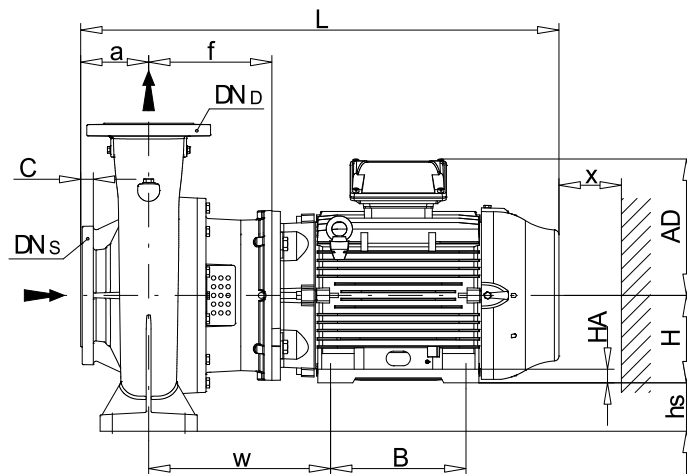
NSCS100-250/150/P46PCC4

Dimensions

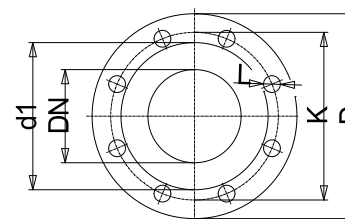
Company name
Contact
Phone number
e-mail address

Blockpump
Standard Design (Type B)
PLM 160 B35 15 kW

Electrical and dimensional data refer to IE3 motor



PM1...Pressure gauge connector
E...Drain
F...Filling



Value C, D may vary from Standard

Dimensions [inch]			
a	5 ¹ / ₂	L	34 ⁷ / ₁₆
A	10	m1	6 ⁵ / ₁₆
AA	1 ¹⁵ / ₁₆	m2	4 ³ / ₄
AB	11 ¹⁵ / ₁₆	n1	15 ³ / ₄
AD	9 ⁷ / ₁₆	n2	12 ³ / ₈
B	10	P	13 ³ / ₄
b	3 ¹ / ₈	PM1	1/4"
BB	11 ¹⁵ / ₁₆	s1	3/4
Bmax	16 ¹⁵ / ₁₆	Trim	
CTO		Type	B
DNd	3 ¹⁵ / ₁₆	Volumen	1/128
DNs	4 ¹⁵ / ₁₆	w	13 ¹¹ / ₁₆
E	3/8"	x	5 ¹ / ₂
f	9 ⁷ / ₁₆		
F	3/8"		
g1	1 ¹ / ₃₂		
H	6 ⁵ / ₁₆		
h1	8 ⁷ / ₈		
h2	11 ¹ / ₃₂		
h3			
HA	3/16		
Hmax	19 ⁷ / ₈		
hs	2 ⁹ / ₁₆		
K	9/16		

Weight	
Total weight	219 kg

Connections			
Suction nozzle		Discharge nozzle	
DN125		DN100	
PN10/16		PN10/16	
EN1092-2		EN1092-2	
C	1 ¹ / ₃₂	C	1 ⁵ / ₁₆
D	10 ¹ / ₁₆	D	9 ¹ / ₁₆
d1	7 ¹ / ₄	d1	6 ³ / ₁₆
K	8 ¹ / ₄	K	7 ¹ / ₁₆
L	3/4	L	3/4
Z	5/16	Z	5/16

Dimensions and weight without obligation

Project	Xylect-20178266	Created by		Last update	1/10/2025
Block	NSCS100-250/900/L26UCC4 E4	Created on	1/10/2025		