

NSCS125-200/110/P46PCC4

Technical data

Company name
Contact
Phone number
e-mail address

Operating data						
1	Pumpe type	Single head pump		Fluid	Water, pure	
2	No. of pumps	1		Operating temperature at t A	°F	39.2
3	Nominal flow	US g.p.m.	0	Max / Min Operating Temperature mech. Seal	°F	120 / -25
4	Nominal head	ft	0	pH-value at t A		7
5	Static head	ft	0	Density at t A	lb/ft ³	62.4
6	Inlet pressure	psi	0	Kin. viscosity at t A	ft ² /s	1.689E-5
7	Environmental temperature	°F	68	Vapor pressure at t A	psi	14.5
8	Available system NPSH	ft	0	Altitude		0

Pump data						
9	Lubrication	32				
10	Execution	Standard Design (Type B)				
11	Design	Horizontal				
12	Operating speed	1765 rpm	Stages	1		
13	Suction nozzle	DN150	/	PN10/16	/ EN1092-2	
14	Discharge nozzle	DN125	/	PN10/16	/ EN1092-2	
15	Max. casing pressure	psi				
16	Max. working pressure	psi	20.7			
17	Impeller type	Radial impeller				
18	Head H(Q=0)	ft	48			
19	Max. shaft power	hp	14			
20	Pump weight	kg				
21	Total weight	lb	507.1			

Parameter	Unit	Value
Impeller Ø	inch	8 7/8
designed	inch	7 1/2
Min.	inch	6 1/2
Nominal	US g.p.m.	
Max-	US g.p.m.	1511.5
Min-	US g.p.m.	210
Nominal	ft	
at Qmax	ft	26.4
at Qmin	ft	47.5
Shaft power	hp	
Efficiency	%	
NPSH 3%	ft	

Materials					
22		Pump		Shaft Seal	
23	Volute Casing	Cast Iron, EN 1561 - GJL-250, ASTM Class 35		Single mechanical seal, without shaft sleeve	
24	Impeller	Cast Iron, EN 1561 - GJL-200, ASTM Class 30		eMG12 - Ø38mm	BQ7EGG-WA
25	Casing Cover	Cast Iron, EN 1561 - GJL-250, ASTM Class 35		Mechanical seal diameter	1 1/2 inch
26	Shaft	Stainless steel, 1.4057, AISI 431		1. Rotating ring	Carbon graphite resin impregnated
27	Wear ring	Stainless steel, 1.4301, AISI 304		2. Stationary ring	SiC, silicon carbide, sintered press.less
28	Impeller lock nut and washer	A4 (1.4401)		3. Secondary seal	Ethylene propylene rubber (EPDM)
29	Impeller key	Stainless steel, 1.4571, AISI 316Ti		4. Springs	CrNiMo - Steel
30	Fill and drain plugs	Galvanized carbon steel, EN 10277-3, AISI 1213 / 1215		5. Others	EPDM - WRAS
31	Bearing bracket	Cast Iron, EN 1561 - GJL-250, ASTM Class 35		Gaskets of the pump	Ethylene propylene rubber (EPDM)
32					
33					
34					
35					
36					
37					
38					
39					
40					
41					

Motor data					
Electrical and dimensional data refer to IE3 motor					
42	Manufacturer	Lowara			
43	Specific design	IE3 3ph Flange Motor - Premium Efficiency			
44	Type	PLM 160 B35 11 kW			
45	Rated power	14.751 hp	Rated current	22.1 A	
46	Nominal speed	1758 rpm	Rated voltage	380 V	
47	Frame size	160	Service factor	1	
48	Weight	lb 275.6	Degree of protection	IP55	

Remarks					
49					
50					
50					
52					

NSCS125-200/110/P46PCC4

Performance curve

Company name
Contact
Phone number
e-mail address

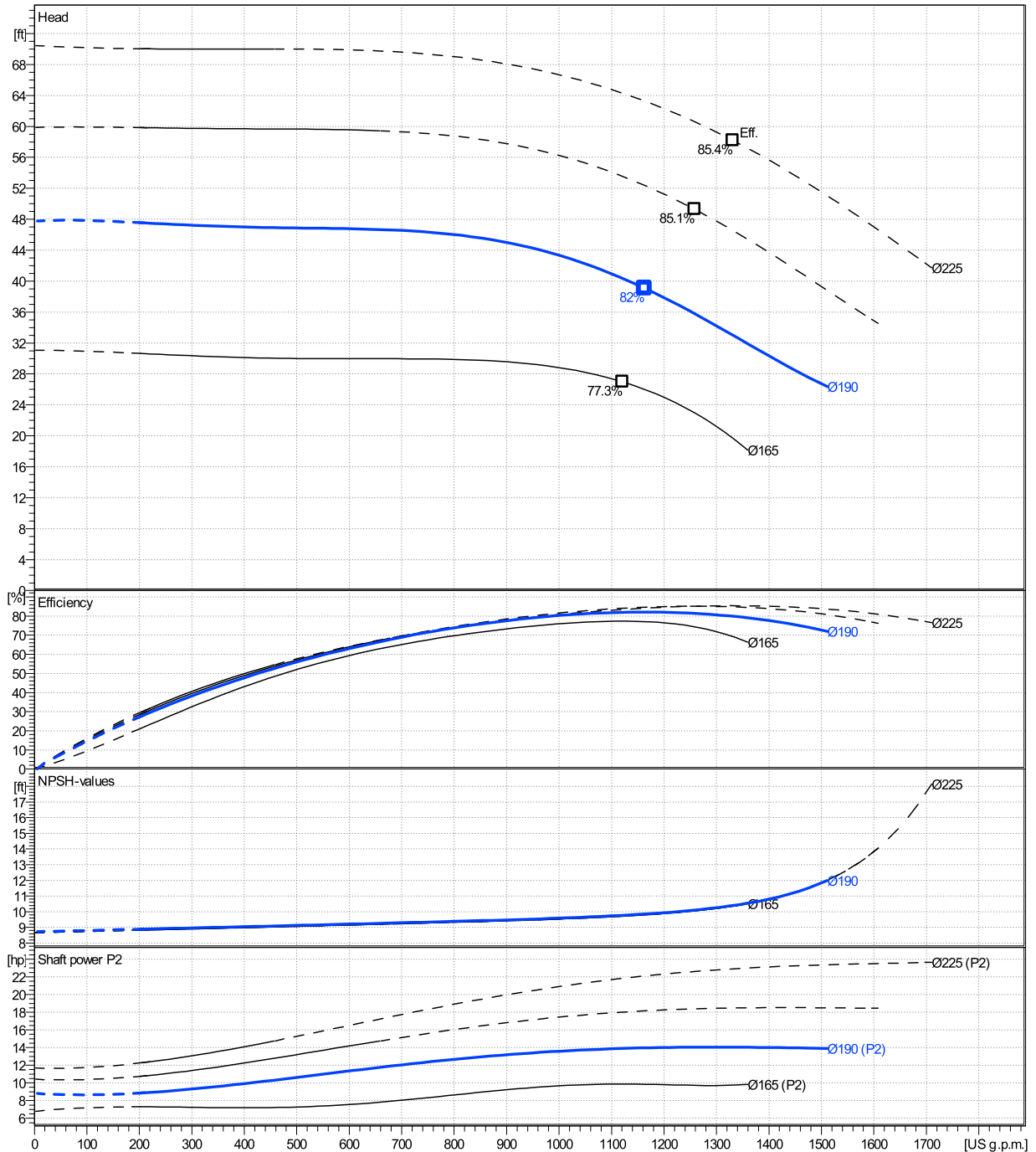
	Ø mm	Pump capacity			Pump head		Shaft power P2			Frequency	Hz	
		Operating range Min. US g.p.m.	Max. US g.p.m.	η Max. US g.p.m.	H(Q=0) ft	η Max. ft	P2(Q=0) hp	Max. hp	η Max. hp	Operating speed	rpm	
actual	7 1/2	210	1510	1160	47.7	39.1		14	14	Nominal flow	US g.p.m.	0
Min.	0	/	/	1120	31.1	27		/	9.87	Nominal head	ft	0
Max.	8 7/8	/	/	1330	70.4	58.2		/	22.9	Inlet pressure	psi	0
										Static head	ft	0

Power datas referred to:

hydr. Performance acceptance acc. To EN ISO 9906 Class Grade 3B

Water, pure [100%] ; 39.2°F; 62.4lb/ft³; 1.69E-5ft²/s

MEI: >=0,70 - according to Ecodesign Directive 2009/125/EC and Regulation (EU) No.547/2012



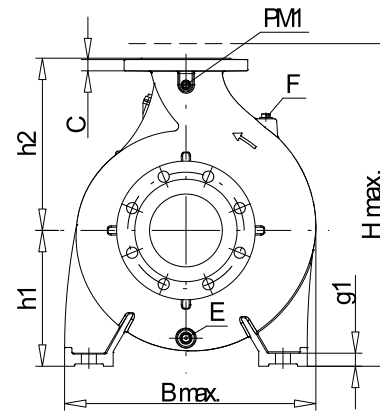
NSCS125-200/110/P46PCC4

Dimensions

Company name
Contact
Phone number
e-mail address

Blockpump
Standard Design (Type B)
PLM 160 B35 11 kW

Electrical and dimensional data refer to IE3 motor



PM1...Pressure gauge connector
E...Drain
F...Filling



Value C, D may vary from Standard

Dimensions [inch]			
a	5 ¹ / ₂	L	34 ⁷ / ₁₆
A	10	m1	6 ⁵ / ₁₆
AA	1 ¹⁵ / ₁₆	m2	4 ³ / ₄
AB	11 ¹⁵ / ₁₆	n1	15 ³ / ₄
AD	9 ⁷ / ₁₆	n2	12 ³ / ₈
B	8 ³ / ₄	P	13 ³ / ₄
b	3 ¹ / ₈	PM1	1 ¹ / ₄ "
BB	11 ¹⁵ / ₁₆	s1	³ / ₄
Bmax	18 ⁷ / ₁₆	Trim	
CTO		Type	B
DNd	4 ¹⁵ / ₁₆	Volumen	¹ / ₆₄
DNs	5 ⁷ / ₈	w	13 ¹¹ / ₁₆
E	3 ³ / ₈ "	x	3 ¹ / ₈
f	9 ⁷ / ₁₆		
F	3 ³ / ₈ "		
g1	1 ¹ / ₃₂		
H	6 ⁵ / ₁₆		
h1	9 ¹³ / ₁₆		
h2	12 ³ / ₈		
h3			
HA	³ / ₁₆		
Hmax	22 ¹ / ₄		
hs	3 ³ / ₁₆		
K	⁹ / ₁₆		

Weight	
Total weight	230 kg

Connections			
Suction nozzle		Discharge nozzle	
DN150		DN125	
PN10/16		PN10/16	
EN1092-2		EN1092-2	
C	1 ¹ / ₃₂	C	1 ¹ / ₃₂
D	11 ¹ / ₄	D	10 ¹ / ₁₆
d1	8 ⁵ / ₁₆	d1	7 ¹ / ₄
K	9 ⁷ / ₁₆	K	8 ¹ / ₄
L	⁷ / ₈	L	³ / ₄
Z	⁵ / ₁₆	Z	⁵ / ₁₆

Dimensions and weight without obligation

Project	Xylect-20178897	Created by		Last update	1/10/2025
Block	NSCS125-200/900/L26UCC4 E4	Created on	1/10/2025		