

NSCS125-250/185/L46UCC4

Technical data

Company name
Contact
Phone number
e-mail address

Operating data				
1	Pumpe type	Single head pump	Fluid	Water, pure
2	No. of pumps	1	Operating temperature at t A	°F 39.2
3	Nominal flow	US g.p.m. 0	Max / Min Operating Temperature mech. Seal	°F 120 / -25
4	Nominal head	ft 0	pH-value at t A	7
5	Static head	ft 0	Density at t A	lb/ft³ 62.4
6	Inlet pressure	psi 0	Kin. viscosity at t A	ft²/s 1.689E-5
7	Environmental temperature	°F 68	Vapor pressure at t A	psi 14.5
8	Available system NPSH	ft 0	Altitude	0

Pump data				
9	Lubrication	32		
10	Execution	Standard Design (Type B)		
11	Design	Horizontal		
12	Operating speed	1770 rpm	Stages	1
13	Suction nozzle	DN150 / PN10/16 / EN1092-2	Impeller Ø	Max. inch 10 3/16
14	Discharge nozzle	DN125 / PN10/16 / EN1092-2		designed inch 9 1/16
15	Max. casing pressure	psi	Flow	Min. inch 8 7/16
16	Max. working pressure	psi 34.3		Nominal US g.p.m.
17	Impeller type	Radial impeller		Max- US g.p.m. 1580.6
18	Head H(Q=0)	ft 79	Head	Min- US g.p.m. 212.7
19	Max. shaft power	hp 23.8		Nominal ft
20	Pump weight	kg		at Qmax ft 44.6
21	Total weight	lb 550.7	Shaft power	at Qmin ft 78.7
			Efficiency	hp
			NPSH 3%	%

Materials				
Pump		Shaft Seal		
22				
23	Volute Casing	Cast Iron, EN 1561 - GJL-250, ASTM Class 35	Single mechanical seal, without shaft sleeve	
24	Impeller	Cast Iron, EN 1561 - GJL-200, ASTM Class 30	eMG12 - Ø38mm	BQ7EGG-WA
25	Casing Cover	Cast Iron, EN 1561 - GJL-250, ASTM Class 35	Mechanical seal diameter	1 1/2 inch
26	Shaft	Stainless steel, 1.4057, AISI 431	1. Rotating ring	Carbon graphite resin impregnated
27	Wear ring	Stainless steel, 1.4301, AISI 304	2. Stationary ring	SiC, silicon carbide, sintered press.less
28	Impeller lock nut and washer	A4 (1.4401)	3. Secondary seal	Ethylene propylene rubber (EPDM)
29	Impeller key	Stainless steel, 1.4571, AISI 316Ti	4. Springs	CrNiMo - Steel
30	Fill and drain plugs	Galvanized carbon steel, EN 10277-3, AISI 1213 / 1215	5. Others	EPDM - WRAS
31	Bearing bracket	Cast Iron, EN 1561 - GJL-250, ASTM Class 35	Gaskets of the pump	Ethylene propylene rubber (EPDM)
32				
33				
34				
35				
36				
37				
38				
39				
40				
41				

Motor data				
Electrical and dimensional data refer to IE3 motor				
42	Manufacturer	Lowara		
43	Specific design	IE3 3ph Flange Motor - Premium Efficiency		
44	Type	3MAS 180 M B35 18,5 kW		
45	Rated power	24.809 hp	Rated current	37.3 A
46	Nominal speed	1764 rpm	Rated voltage	380 V
47	Frame size	180 M	Service factor	1
48	Weight	lb 312.6	Degree of protection	IP55

Remarks				
49				
50				
50				
52				

NSCS125-250/185/L46UCC4

Performance curve

Company name
Contact
Phone number
e-mail address

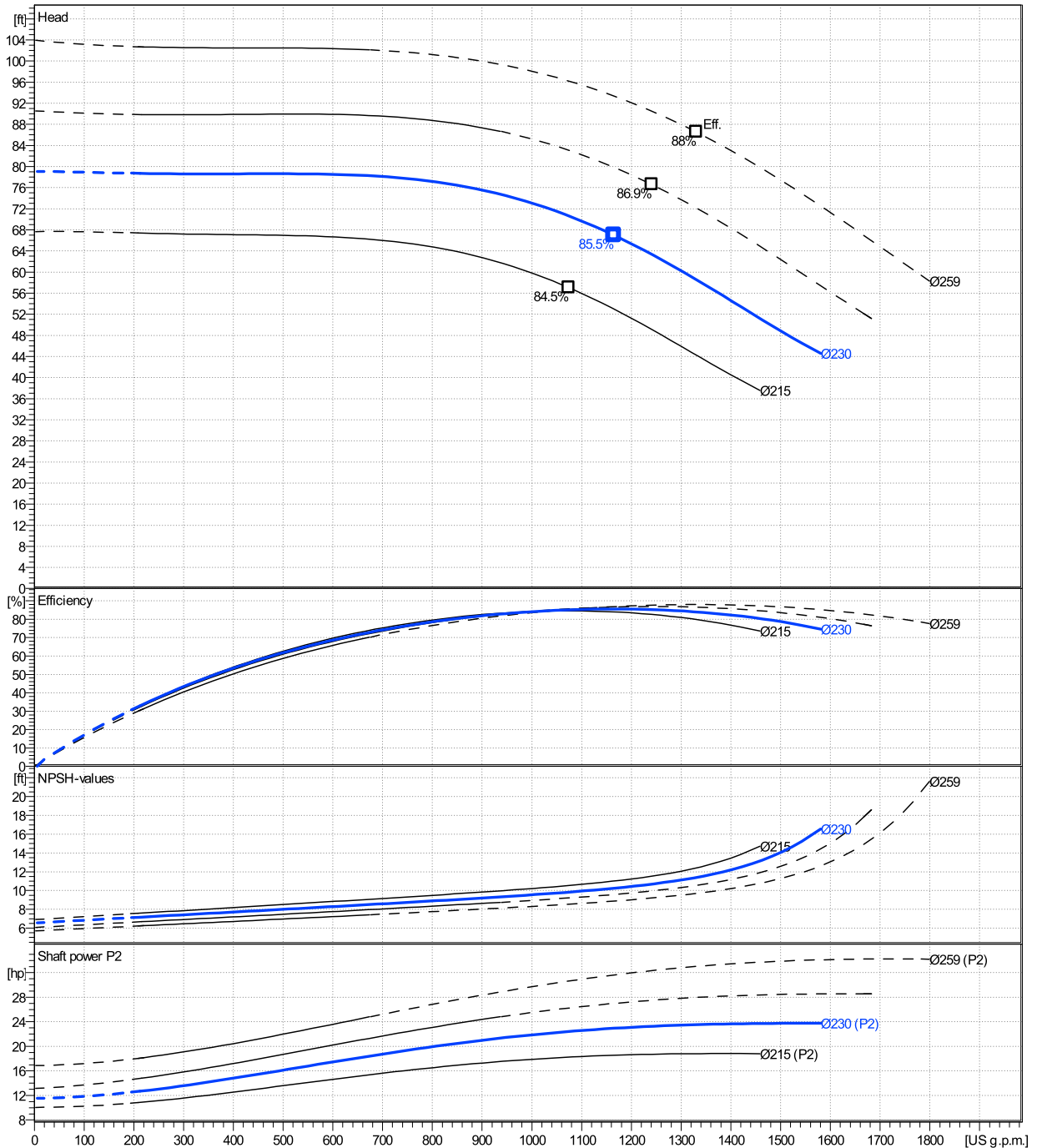
	Ø mm	Pump capacity Operating range η			Pump head η		Shaft power P2 η			Frequency	Hz	
		Min. US g.p.m.	Max. US g.p.m.	Max. US g.p.m.	H(Q=0) ft	Max. ft	P2(Q=0) hp	Max. hp	Max. hp	Operating speed	rpm	
actual	9 1/16	213	1580	1160	79.1	67		23.8	22.9	Nominal flow	US g.p.m.	0
Min.	0	/	/	1070	67.7	57		/	18.2	Nominal head	ft	0
Max.	10 3/16	/	/	1330	104	86.5		/	33	Inlet pressure	psi	0
										Static head	ft	0

Power datas referred to:

hydr. Performance acceptance acc. To EN ISO 9906 Class Grade 3B

Water, pure [100%] ; 39.2°F; 62.4lb/ft³; 1.69E-5ft²/s

MEI: >=0,70 - according to Ecodesign Directive 2009/125/EC and Regulation (EU) No.547/2012



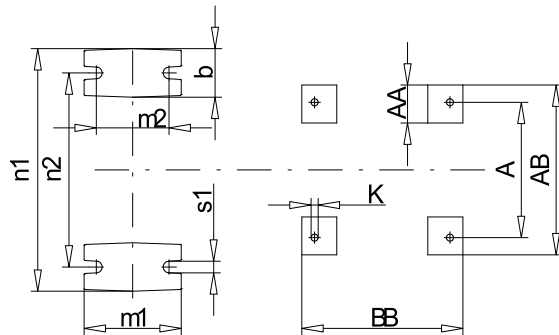
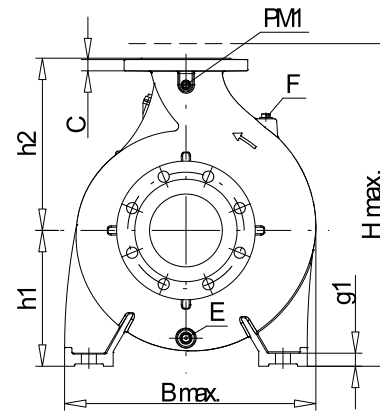
NSCS125-250/185/L46UCC4

Dimensions

Company name
Contact
Phone number
e-mail address

Blockpump
Standard Design (Type B)
3MAS 180 M B35 18,5 kW

Electrical and dimensional data refer to IE3 motor



PM1...Pressure gauge connector
E...Drain
F...Filling



Value C, D may vary from Standard

Dimensions [inch]			
a	5 ¹ / ₂	L	38 ¹ / ₄
A	11	m1	6 ⁵ / ₁₆
AA	2 ¹ / ₂	m2	4 ³ / ₄
AB	14 ⁵ / ₁₆	n1	15 ³ / ₄
AD	10 ³ / ₈	n2	12 ³ / ₈
B	9 ¹ / ₂	P	13 ³ / ₄
b	3 ¹ / ₈	PM1	1/4"
BB	11 ¹ / ₄	s1	3/4
Bmax	18 ¹ / ₂	Trim	
CTO		Type	B
DNd	4 ¹⁵ / ₁₆	Volumen	1/64
DNs	5 ⁷ / ₈	w	14 ³ / ₁₆
E	3/8"	x	3/8
f	9 ⁷ / ₁₆		
F	3/8"		
g1	1 ¹ / ₃₂		
H	7 ¹ / ₁₆		
h1	9 ¹³ / ₁₆		
h2	14		
h3			
HA	7/8		
Hmax	23 ¹³ / ₁₆		
hs	2 ² / ₄		
K	9/16		

Weight	
Total weight	249.8 kg

Connections			
Suction nozzle		Discharge nozzle	
DN150		DN125	
PN10/16		PN10/16	
EN1092-2		EN1092-2	
C	1 ¹ / ₃₂	C	1 ¹ / ₃₂
D	11 ¹ / ₄	D	10 ¹ / ₁₆
d1	8 ⁵ / ₁₆	d1	7 ¹ / ₄
K	9 ⁷ / ₁₆	K	8 ¹ / ₄
L	7/8	L	3/4
Z	5/16	Z	5/16

Dimensions and weight without obligation

Project	Xylect-20178266	Created by		Created on	1/10/2025	Last update	1/10/2025
Block	NSCS125-250/300/L46UCC4						