

# NSCS150-250/220/L46UCC4

## Technical data

Company name  
Contact  
Phone number  
e-mail address

Operating data				
1	Pumpe type	Single head pump	Fluid	Water, pure
2	No. of pumps	1	Operating temperature at A	°F 39.2
3	Nominal flow	US g.p.m. 0	Max / Min Operating Temperature mech. Seal	°F 120 / -25
4	Nominal head	ft 0	pH-value at t A	7
5	Static head	ft 0	Density at t A	lb/ft <sup>3</sup> 62.4
6	Inlet pressure	psi 0	Kin. viscosity at t A	ft <sup>2</sup> /s 1.689E-5
7	Environmental temperature	°F 68	Vapor pressure at t A	psi 14.5
8	Available system NPSH	ft 0	Altitude	0

Pump data				
9	Lubrication	42		
10	Execution	Standard Design (Type B)		
11	Design	Horizontal	Impeller Ø	Max. inch 10 7/8 designed inch 8 15/16 Min. inch 8 15/16
12	Operating speed	1775 rpm	Stages	1
13	Suction nozzle	DN200 / PN16 / EN1092-2		
14	Discharge nozzle	DN150 / PN10/16 / EN1092-2	Flow	Nominal US g.p.m. Max- US g.p.m. 2395.2 Min- US g.p.m. 295
15	Max. casing pressure	psi		
16	Max. working pressure	psi 31.7		
17	Impeller type	Radial impeller	Head	Nominal ft at Qmax ft 29.2 at Qmin ft 73.5
18	Head H(Q=0)	ft 73		
19	Max. shaft power	hp 29.6	Shaft power	hp
20	Pump weight	kg	Efficiency	%
21	Total weight	lb 707.5	NPSH 3%	ft

Materials				
22		<b>Pump</b>		<b>Shaft Seal</b>
23	Volute Casing	Cast Iron, EN 1561 - GJL-250, ASTM Class 35	Single mechanical seal, without shaft sleeve	
24	Impeller	Cast Iron, EN 1561 - GJL-200, ASTM Class 30	eMG12 - Ø48mm	BQ7EGG-WA
25	Casing Cover	Cast Iron, EN 1561 - GJL-250, ASTM Class 35	Mechanical seal diameter	1 7/8 inch
26	Shaft	Stainless steel, 1.4057, AISI 431	1. Rotating ring	Carbon graphite resin impregnated
27	Wear ring	Stainless steel, 1.4301, AISI 304	2. Stationary ring	SiC, silicon carbide, sintered press.less
28	Impeller lock nut and washer	A4 (1.4401)	3. Secondary seal	Ethylene propylene rubber (EPDM)
29	Impeller key	Stainless steel, 1.4571, AISI 316Ti	4. Springs	CrNiMo - Steel
30	Fill and drain plugs	Galvanized carbon steel, EN 10277-3, AISI 1213 / 1215	5. Others	EPDM - WRAS
31	Bearing bracket	Cast Iron, EN 1561 - GJL-250, ASTM Class 35	Gaskets of the pump	Ethylene propylene rubber (EPDM)
32				
33				
34				
35				
36				
37				
38				
39				
40				
41				

Motor data				
Electrical and dimensional data refer to IE3 motor				
42	Manufacturer	Lowara		
43	Specific design	IE3 3ph Flange Motor - Premium Efficiency		
44	Type	3MAS 180 L B35 22 kW		
45	Rated power	29.502 hp	Rated current	43.6 A
46	Nominal speed	1758 rpm	Rated voltage	380 V
47	Frame size	180 L	Service factor	1
48	Weight	lb 343.7	Degree of protection	IP55

Remarks				
49				
50				
50				
52				

Project	Xylect-20178266	Created by		Last update	1/10/2025
Block	NSCS150-250/450/L46UCC4	Created on	1/10/2025		

# NSCS150-250/220/L46UCC4

## Performance curve

Company name  
Contact  
Phone number  
e-mail address

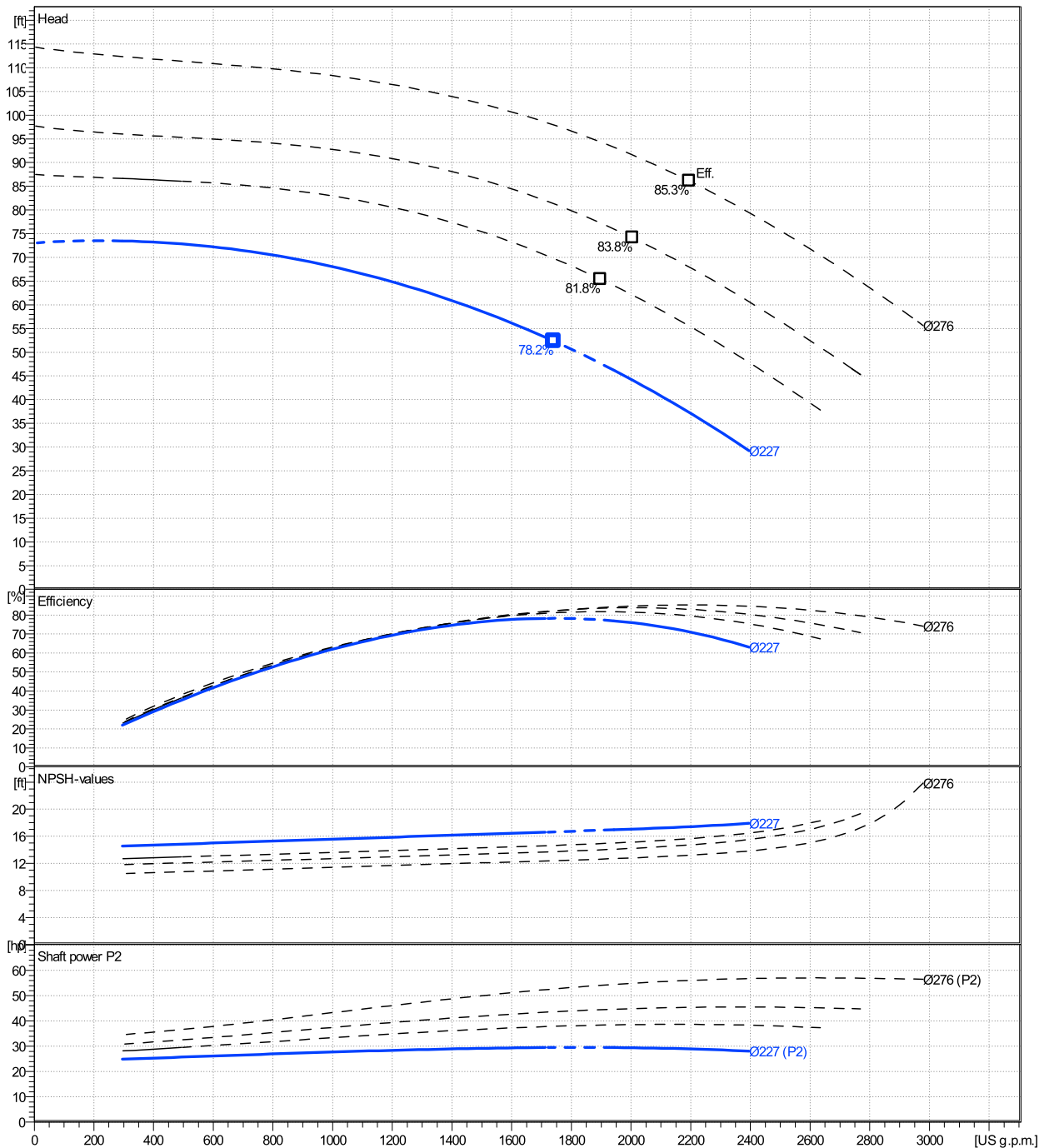
	Ø mm	Pump capacity Operating range η			Pump head η		Shaft power P2 η			Frequency	Hz	
		Min. US g.p.m.	Max. US g.p.m.	Max. US g.p.m.	H(Q=0) ft	Max. ft	P2(Q=0) hp	Max. hp	Max. hp	Operating speed	rpm	
actual	8 15/16	295	2400	1740	73.1	52.4	29.6	29.5	Nominal flow	US g.p.m.	0	
Min.	0	/	/	1740	73.1	52.4	/	29.5	Nominal head	ft	0	
Max.	10 7/8	/	/	2190	114	86.1	/	56	Inlet pressure	psi	0	
									Static head	ft	0	

**Power datas referred to:**

hydr. Performance acceptance acc. To EN ISO 9906 Class Grade 3B

Water, pure [100%] ; 39.2°F; 62.4lb/ft³; 1.69E-5ft²/s

MEI: 0,68 - according to Ecodesign Directive 2009/125/EC and Regulation (EU) No.547/2012



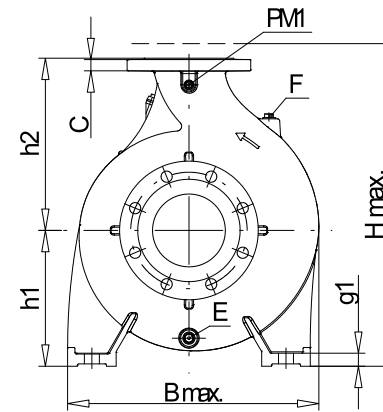
# NSCS150-250/220/L46UCC4

## Dimensions

Company name  
Contact  
Phone number  
e-mail address

Blockpump  
Standard Design (Type B)  
3MAS 180 L B35 22 kW

Electrical and dimensional data refer to IE3 motor



PM1...Pressure gauge connector  
E...Drain  
F...Filling



Value C, D may vary from Standard

Dimensions [ inch ]			
a	6 <sup>5</sup> / <sub>16</sub>	L	39 <sup>9</sup> / <sub>16</sub>
A	11	m1	7 <sup>7</sup> / <sub>8</sub>
AA	2 <sup>1</sup> / <sub>2</sub>	m2	5 <sup>7</sup> / <sub>8</sub>
AB	14 <sup>5</sup> / <sub>16</sub>	n1	19 <sup>11</sup> / <sub>16</sub>
AD	10 <sup>3</sup> / <sub>8</sub>	n2	15 <sup>3</sup> / <sub>4</sub>
b	3 <sup>15</sup> / <sub>16</sub>	P	13 <sup>3</sup> / <sub>4</sub>
B	11	PM1	1/4"
BB	12 <sup>3</sup> / <sub>4</sub>	s1	7/8
Bmax	22 <sup>5</sup> / <sub>16</sub>	Trim	
CTO		Type	B
DNd	5 <sup>7</sup> / <sub>8</sub>	Volumen	1/64
DNs	7 <sup>7</sup> / <sub>8</sub>	w	14 <sup>3</sup> / <sub>4</sub>
E	3/8"	x	5 <sup>1</sup> / <sub>2</sub>
f	10		
F	3/8"		
g1	1 <sup>1</sup> / <sub>32</sub>		
H	7 <sup>7</sup> / <sub>16</sub>		
h1	11 <sup>1</sup> / <sub>32</sub>		
h2	15 <sup>3</sup> / <sub>4</sub>		
h3			
HA	7/8		
Hmax	26 <sup>3</sup> / <sub>4</sub>		
hs	3 <sup>15</sup> / <sub>16</sub>		
K	9/16		

Weight	
Total weight	320.9 kg

Connections			
Suction nozzle		Discharge nozzle	
DN200		DN150	
PN16		PN10/16	
EN1092-2		EN1092-2	
C	1 <sup>3</sup> / <sub>16</sub>	C	1 <sup>1</sup> / <sub>32</sub>
D	13 <sup>9</sup> / <sub>16</sub>	D	11 <sup>1</sup> / <sub>4</sub>
d1	10 <sup>1</sup> / <sub>2</sub>	d1	8 <sup>5</sup> / <sub>16</sub>
K	11 <sup>5</sup> / <sub>8</sub>	K	9 <sup>7</sup> / <sub>16</sub>
L	7/8	L	7/8
Z	1/2	Z	5/16

### Dimensions and weight without obligation

Project	Xylect-20178266	Created by		Last update	1/10/2025
Block	NSCS150-250/450/L46UCC4	Created on	1/10/2025		