

NSCS150-400/900/L46UCC4 E4

Technical data

Company name
Contact
Phone number
e-mail address

Operating data				
1	Pumpe type	Single head pump	Fluid	Water, pure
2	No. of pumps	1	Operating temperature t A	°F 39.2
3	Nominal flow	US g.p.m. 0	Max / Min Operating Temperature mech. Seal	°F 120 / -25
4	Nominal head	ft 0	pH-value at t A	7
5	Static head	ft 0	Density at t A	lb/ft³ 62.4
6	Inlet pressure	psi 0	Kin. viscosity at t A	ft²/s 1.689E-5
7	Environmental temperature	°F 68	Vapor pressure at t A	psi 14.5
8	Available system NPSH	ft 0	Altitude	0

Pump data				
9	Lubrication	42		
10	Execution	Standard Design (Type B)		
11	Design	Horizontal	Impeller Ø	Max. inch 13 7/16 designed inch 13 7/16 Min. inch 12 3/4
12	Operating speed	1780 rpm	Stages	1
13	Suction nozzle	DN200 / PN16 / EN1092-2		Nominal US g.p.m.
14	Discharge nozzle	DN150 / PN10/16 / EN1092-2	Flow	Max- US g.p.m. 3082 Min- US g.p.m. 302.5
15	Max. casing pressure	psi		
16	Max. working pressure	psi 83.4		
17	Impeller type	Radial impeller	Head	Nominal ft at Qmax ft 106.2 at Qmin ft 192.7
18	Head H(Q=0)	ft 190		
19	Max. shaft power	hp 120.1	Shaft power	hp
20	Pump weight	kg	Efficiency	%
21	Total weight	lb On demand	NPSH 3%	ft

Materials				
Pump		Shaft Seal		
23	Volute Casing	Cast Iron, EN 1561 - GJL-250, ASTM Class 35	Single mechanical seal, without shaft sleeve	
24	Impeller	Cast Iron, EN 1561 - GJL-200, ASTM Class 30	eMG12 - Ø48mm	BQ7EGG-WA
25	Casing Cover	Cast Iron, EN 1561 - GJL-250, ASTM Class 35	Mechanical seal diameter	1 7/8 inch
26	Shaft	Stainless steel, 1.4057, AISI 431	1. Rotating ring	Carbon graphite resin impregnated
27	Wear ring	Stainless steel, 1.4301, AISI 304	2. Stationary ring	SiC, silicon carbide, sintered press.less
28	Impeller lock nut and washer	A4 (1.4401)	3. Secondary seal	Ethylene propylene rubber (EPDM)
29	Impeller key	Stainless steel, 1.4571, AISI 316Ti	4. Springs	CrNiMo - Steel
30	Fill and drain plugs	Galvanized carbon steel, EN 10277-3, AISI 1213 / 1215	5. Others	EPDM - WRAS
31	Bearing bracket	Cast Iron, EN 1561 - GJL-250, ASTM Class 35	Gaskets of the pump	Ethylene propylene rubber (EPDM)
32				
33				
34				
35				
36				
37				
38				
39				
40				
41				

Motor data				
Electrical and dimensional data refer to IE4 motor				
42	Manufacturer	Lowara		
43	Specific design	IE4 3ph Flange Motor - Super Premium Efficiency		
44	Type	3MGS 280 M B35 90 kW E4		
45	Rated power	120.69 hp	Rated current	165 A
46	Nominal speed	1788 rpm	Rated voltage	380 V
47	Frame size	280 M	Service factor	1
48	Weight	lb 1,808.9	Degree of protection	IP55

Remarks				
49				
50				
50				
52				

Project	Xylect-20178266	Created by		Last update	1/10/2025
Block	NSCS150-400/900/L46UCC4 E4	Created on	1/10/2025		

NSCS150-400/900/L46UCC4 E4

Performance curve

Company name
Contact
Phone number
e-mail address

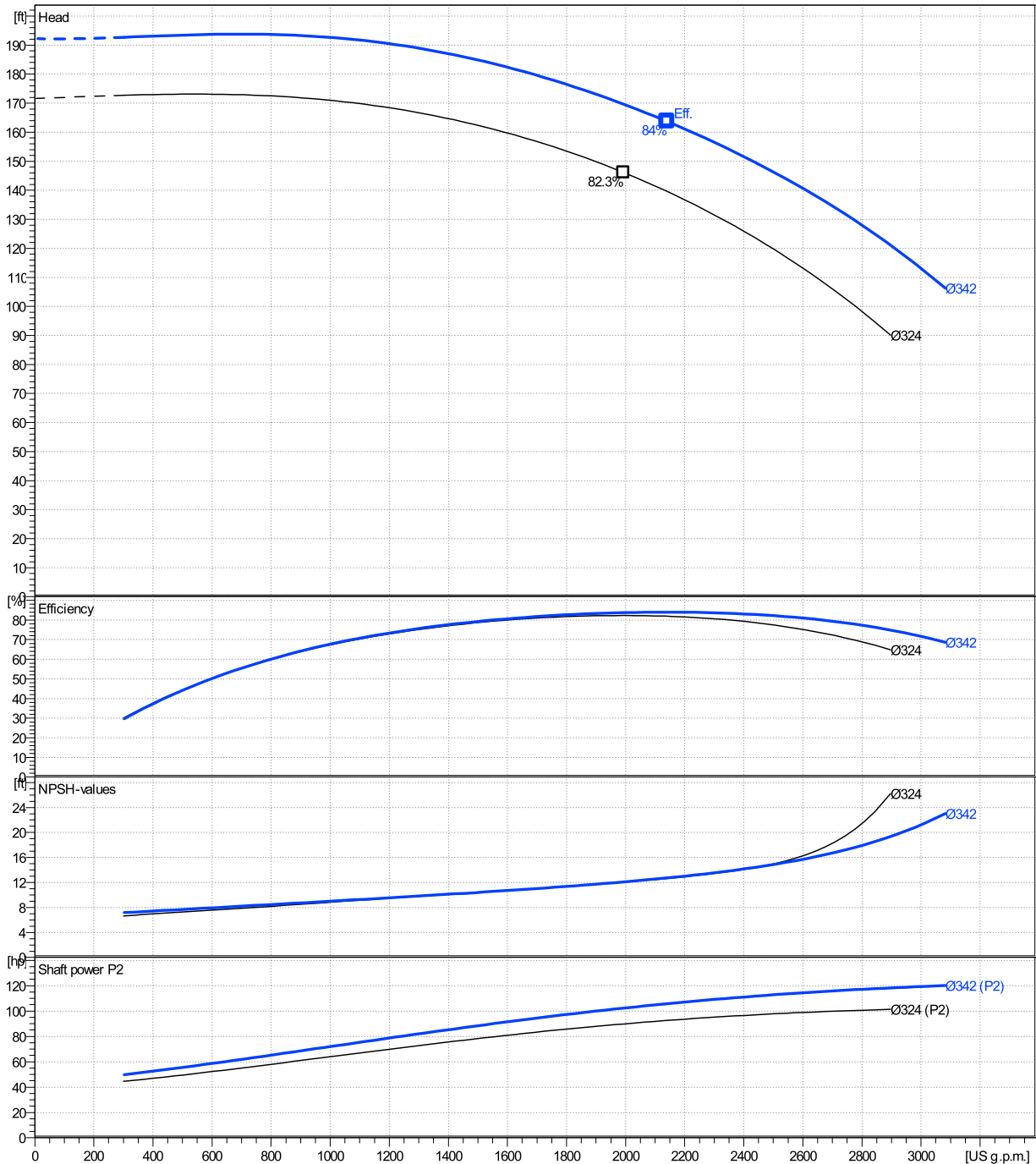
	Ø mm	Pump capacity Operating range η			Pump head H(Q=0) η		Shaft power P2 P2(Q=0) η			Frequency Hz	
		Min. US g.p.m.	Max. US g.p.m.	Max. US g.p.m.	ft	ft	hp	Max. hp	η hp	rpm	
actual	13 7/16	302	3080	2140	192	164	120	106	60	1780	
Min.	0	/	/	1990	172	146	/	89.8			0
Max.	13 7/16	/	/	2140	192	164	/	106			0
										Nominal flow	US g.p.m.
										Nominal head	ft
										Inlet pressure	psi
										Static head	ft

Power datas referred to:

hydr. Performance acceptance acc. To EN ISO 9906 Class Grade 3B

Water, pure [100%] ; 39.2°F; 62.4lb/ft³; 1.69E-5ft²/s

MEI: >=0,70 - according to Ecodesign Directive 2009/125/EC and Regulation (EU) No.547/2012



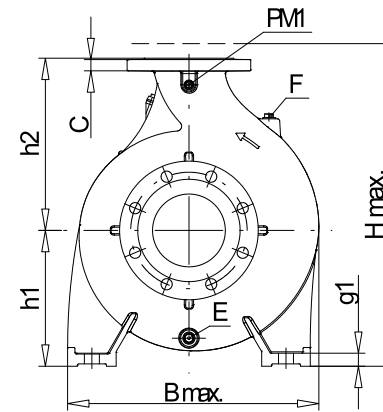
NSCS150-400/900/L46UCC4 E4

Dimensions

Company name
Contact
Phone number
e-mail address

Blockpump
Standard Design (Type B)
3MGS 280 M B35 90 kW E4

Electrical and dimensional data refer to IE4 motor



PM1...Pressure gauge connector
E...Drain
F...Filling



Value C, D may vary from Standard

Dimensions [inch]			
a	6 ⁵ / ₁₆	m1	7 ⁷ / ₈
A	18	m2	5 ⁷ / ₈
AA	4 ⁵ / ₁₆	n1	21 ⁵ / ₈
AB	23 ⁷ / ₈	n2	17 ¹¹ / ₁₆
AD	16 ¹ / ₄	P	21 ⁵ / ₈
b	3 ¹⁵ / ₁₆	PM1	1/4"
B	16 ¹ / ₂	s1	7/8
BB	19 ⁵ / ₁₆	Trim	
Bmax	24 ¹ / ₂	Type	B
CTO		w	18 ¹¹ / ₁₆
DNd	5 ⁷ / ₈	x	5 ¹ / ₂
DNs	7 ⁷ / ₈		
E	3/8"		
f	11 ³ / ₁₆		
F	3/8"		
g1	1 ¹ / ₃₂		
H	11 ¹ / ₃₂		
h1	12 ³ / ₈		
h2	17 ¹¹ / ₁₆		
h3			
HA	1 ³ / ₄		
Hmax	30 ¹ / ₈		
hs	1 ³ / ₈		
K	1 ⁵ / ₁₆		

Weight	
Total weight	On demand kg

Connections			
Suction nozzle		Discharge nozzle	
DN200		DN150	
PN16		PN10/16	
EN1092-2		EN1092-2	
C	1 ³ / ₁₆	C	1 ¹ / ₃₂
D	13 ⁹ / ₁₆	D	11 ¹ / ₄
d1	10 ¹ / ₂	d1	8 ⁵ / ₁₆
K	11 ⁵ / ₈	K	9 ⁷ / ₁₆
L	7/8	L	7/8
Z	1/2	Z	5/16

Dimensions and weight without obligation

Project	Xylect-20178266	Created by		Last update	1/10/2025
Block	NSCS150-400/900/L46UCC4 E4	Created on	1/10/2025		