

# NSCS200-315/900/L46UDC4 E4

## Technical data

Company name  
Contact  
Phone number  
e-mail address

Operating data						
1	Pumpe type	Single head pump		Fluid	Water, pure	
2	No. of pumps	1		Operating temperature at t A	°F	39.2
3	Nominal flow	US g.p.m.	0	Max / Min Operating Temperature mech. Seal	°F	120 / -25
4	Nominal head	ft	0	pH-value at t A		7
5	Static head	ft	0	Density at t A	lb/ft <sup>3</sup>	62.4
6	Inlet pressure	psi	0	Kin. viscosity at t A	ft <sup>2</sup> /s	1.689E-5
7	Environmental temperature	°F	68	Vapor pressure at t A	psi	14.5
8	Available system NPSH	ft	0	Altitude		0

Pump data						
9	Lubrication	42				
10	Execution	Standard Design (Type B)				
11	Design	Horizontal				
12	Operating speed	1780 rpm	Stages	1		
13	Suction nozzle	DN250	/	PN16	/ EN1092-2	
14	Discharge nozzle	DN200	/	PN16	/ EN1092-2	
15	Max. casing pressure	psi				
16	Max. working pressure	psi	67.6			
17	Impeller type	Radial impeller				
18	Head H(Q=0)	ft	160			
19	Max. shaft power	hp	120.2			
20	Pump weight	kg				
21	Total weight	lb	On demand			

	Impeller Ø	Max.	inch	12 5/8
		designed	inch	12 5/8
		Min.	inch	10 13/16
		Nominal US g.p.m.		
	Flow	Max-	US g.p.m.	4658.2
		Min-	US g.p.m.	652.5
		Nominal		
	Head	at Qmax	ft	65.6
		at Qmin	ft	152
	Shaft power		hp	
	Efficiency		%	
	NPSH 3%		ft	

Materials					
	Pump			Shaft Seal	
22				Single mechanical seal, without shaft sleeve	
23	Volute Casing	Ductile Iron, EN-GJS-400-15, ASTM A536 40-60-18			
24	Impeller	Cast Iron, EN 1561 - GJL-200, ASTM Class 30			eMG12 - Ø48mm
25	Casing Cover	Ductile Iron, EN-GJS-400-15, ASTM A536 40-60-18			BQ7EGG-WA
26	Shaft	Stainless steel, 1.4057, AISI 431			Mechanical seal diameter
27	Wear ring	Stainless steel, 1.4301, AISI 304			1 7/8 inch
28	Impeller lock nut and washer	A4 (1.4401)			1. Rotating ring
29	Impeller key	Stainless steel, 1.4571, AISI 316Ti			Carbon graphite resin impregnated
30	Fill and drain plugs	Galvanized carbon steel, EN 10277-3, AISI 1213 / 1215			2. Stationary ring
31	Bearing bracket	Cast Iron, EN 1561 - GJL-250, ASTM Class 35			SiC, silicon carbide, sintered press.less
32					3. Secondary seal
33					Ethylene propylene rubber (EPDM)
34					4. Springs
35					CrNiMo - Steel
36					5. Others
37					EPDM - WRAS
38					Gaskets of the pump
39					Ethylene propylene rubber (EPDM)
40					
41					

Motor data					
Electrical and dimensional data refer to IE4 motor					
42	Manufacturer	Lowara			
43	Specific design	IE4 3ph Flange Motor - Super Premium Efficiency			
44	Type	3MGS 280 M B35 90 kW E4			
45	Rated power	120.69 hp	Rated current	165 A	
46	Nominal speed	1788 rpm	Rated voltage	380 V	
47	Frame size	280 M	Service factor	1	
48	Weight	lb 1,808.9	Degree of protection	IP55	

Remarks					
49					
50					
50					
52					

Project	Xylect-20178266	Created by		Last update	1/10/2025
Block	NSCS200-315/900/L46UDC4 E4	Created on	1/10/2025		

# NSCS200-315/900/L46UDC4 E4

## Performance curve

Company name  
Contact  
Phone number  
e-mail address

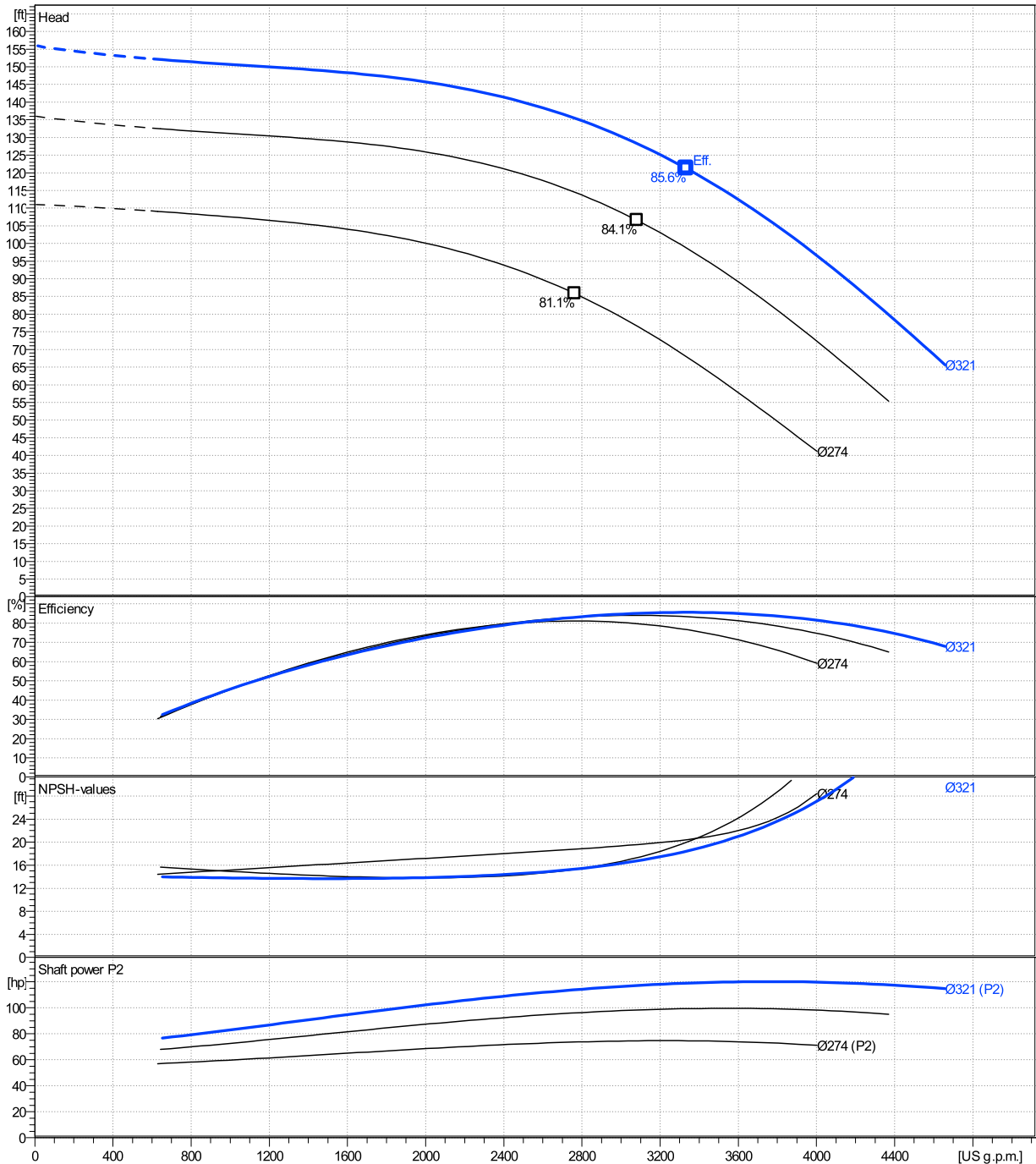
	Ø mm	Pump capacity			Pump head		Shaft power P2			Frequency	Hz	
		Operating range Min. US g.p.m.	Max. US g.p.m.	η Max. US g.p.m.	H(Q=0) ft	η Max. ft	P2(Q=0) hp	Max. hp	η Max. hp	Operating speed	rpm	
actual	12 5/8	653	4660	3330	156	121		120	119	Nominal flow	US g.p.m.	0
Min.	0	/	/	2760	111	85.8		/	73.7	Nominal head	ft	0
Max.	12 5/8	/	/	3330	156	121		/	119	Inlet pressure	psi	0
										Static head	ft	0

**Power datas referred to:**

hydr. Performance acceptance acc. To EN ISO 9906 Class Grade 2B

Water, pure [100%] ; 39.2°F; 62.4lb/ft³; 1.69E-5ft²/s

MEI: 0,56 - according to Ecodesign Directive 2009/125/EC and Regulation (EU) No.547/2012



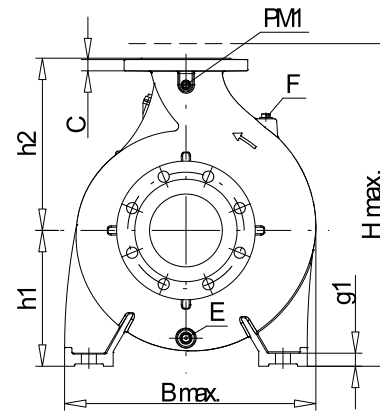
# NSCS200-315/900/L46UDC4 E4

## Dimensions

Company name  
Contact  
Phone number  
e-mail address

Blockpump  
Standard Design (Type B)  
3MGS 280 M B35 90 kW E4

Electrical and dimensional data refer to IE4 motor



PM1...Pressure gauge connector  
E...Drain  
F...Filling



Value C, D may vary from Standard

Dimensions [ inch ]			
a	7 <sup>1</sup> / <sub>16</sub>	m1	7 <sup>7</sup> / <sub>8</sub>
A	18	m2	5 <sup>7</sup> / <sub>8</sub>
AA	4 <sup>5</sup> / <sub>16</sub>	n1	21 <sup>5</sup> / <sub>8</sub>
AB	23 <sup>7</sup> / <sub>8</sub>	n2	17 <sup>11</sup> / <sub>16</sub>
AD	16 <sup>1</sup> / <sub>4</sub>	P	21 <sup>5</sup> / <sub>8</sub>
b	3 <sup>15</sup> / <sub>16</sub>	PM1	1/2"
B	16 <sup>1</sup> / <sub>2</sub>	s1	7/8
BB	19 <sup>5</sup> / <sub>16</sub>	Trim	
Bmax	25 <sup>3</sup> / <sub>8</sub>	Type	B
CTO		w	18 <sup>11</sup> / <sub>16</sub>
DNd	7 <sup>7</sup> / <sub>8</sub>	x	7 <sup>7</sup> / <sub>8</sub>
DNs	9 <sup>13</sup> / <sub>16</sub>		
E	1/2"		
F	-		
f	11 <sup>3</sup> / <sub>16</sub>		
g1	1 <sup>1</sup> / <sub>32</sub>		
H	11 <sup>1</sup> / <sub>32</sub>		
h1	14		
h2	17 <sup>11</sup> / <sub>16</sub>		
h3			
HA	1 <sup>3</sup> / <sub>4</sub>		
Hmax	31 <sup>11</sup> / <sub>16</sub>		
hs	2 <sup>15</sup> / <sub>16</sub>		
K	1 <sup>5</sup> / <sub>16</sub>		

Weight	
Total weight	On demand kg

Connections			
Suction nozzle		Discharge nozzle	
DN250		DN200	
PN16		PN16	
EN1092-2		EN1092-2	
C	1 <sup>1</sup> / <sub>4</sub>	C	1 <sup>3</sup> / <sub>16</sub>
D	15 <sup>15</sup> / <sub>16</sub>	D	13 <sup>9</sup> / <sub>16</sub>
d1	12 <sup>9</sup> / <sub>16</sub>	d1	10 <sup>1</sup> / <sub>2</sub>
K	14	K	11 <sup>5</sup> / <sub>8</sub>
L	1 <sup>1</sup> / <sub>8</sub>	L	7/8
Z	1/2	Z	1/2

### Dimensions and weight without obligation

Project	Xylect-20178266	Created by		Last update	1/10/2025
Block	NSCS200-315/900/L46UDC4 E4	Created on	1/10/2025		