

# NSCS32-250/40/P46PCS4

## Technical data

Company name  
Contact  
Phone number  
e-mail address

Operating data						
1	Pumpe type	Single head pump		Fluid	Water, pure	
2	No. of pumps	1		Operating temperature t A	°F	39.2
3	Nominal flow	US g.p.m.	0	Max / Min Operating Temperature mech. Seal	°F	120 / -25
4	Nominal head	ft	0	pH-value at t A		7
5	Static head	ft	0	Density at t A	lb/ft <sup>3</sup>	62.4
6	Inlet pressure	psi	0	Kin. viscosity at t A	ft <sup>2</sup> /s	1.689E-5
7	Environmental temperature	°F	68	Vapor pressure at t A	psi	14.5
8	Available system NPSH	ft	0	Altitude		0

Pump data							
9	Lubrication	Standard, Grease lubrication [Std]					
10	Execution	4 poles motor					
11	Design	Horizontal					
12	Operating speed	1750 rpm	Stages	1			
13	Suction nozzle	DN 50	/	PN 16	/ EN1092-2		
14	Discharge nozzle	DN 32	/	PN 16	/ EN1092-2		
15	Max. casing pressure	psi		Impeller Ø	Max. inch 10 3/16		
16	Max. working pressure	psi	48.1		designed inch 10 3/16		
17	Impeller type	Radial impeller				Min. inch 8 7/8	
18	Head H(Q=0)	ft	110	Flow	Nominal US g.p.m.		
19	Max. shaft power	hp	4.3		Max- US g.p.m.	110.1	
20	Pump weight	kg			Min- US g.p.m.	39.6	
21	Total weight	lb	222.7	Head	Nominal	ft	
					at Qmax	ft	60.8
				Shaft power	hp		
				Efficiency	%		
				NPSH 3%	ft		
					at Qmin	ft	108.9

Materials						
22		Pump			Shaft Seal	
23	Volute Casing	Cast Iron			Single mechanical seal, without shaft sleeve	
24	Casing Cover	Cast Iron			eMG12 - Ø28mm	BQ7EGG-WA
25	Impeller	Fabricated Stainless Steel			Mechanical seal diameter	1 1/8 inch
26	Shaft	Stainless steel			1. Rotating ring	Carbon graphite resin impregnated
27	Wear ring	Stainless steel			2. Stationary ring	SiC, silicon carbide, sintered press.less
28	Impeller lock nut and washer	Stainless steel			3. Secondary seal	Ethylene propylene rubber (EPDM)
29	Impeller key	Stainless steel			4. Springs	CrNiMo - Steel
30	Fill and drain plugs	Stainless steel			5. Others	EPDM - WRAS
31					Gaskets of the pump	Ethylene propylene rubber (EPDM)
32						
33						
34						
35						
36						
37						
38						
39						
40						
41						

Motor data					
Electrical and dimensional data refer to IE3 motor					
42	Manufacturer	Lowara			
43	Specific design	IE3 3ph Flange Motor - Premium Efficiency			
44	Type	PLM 112 B5 4 kW			
45	Rated power	5.3641 hp	Rated current	14.8 A	
46	Nominal speed	1740 rpm	Rated voltage	220 V	
47	Frame size	112	Service factor	1	
48	Weight	lb 126.1	Degree of protection	IP55	

Remarks					
49					
50					
50					
52					

# NSCS32-250/40/P46PCS4

## Performance curve

Company name  
Contact  
Phone number  
e-mail address

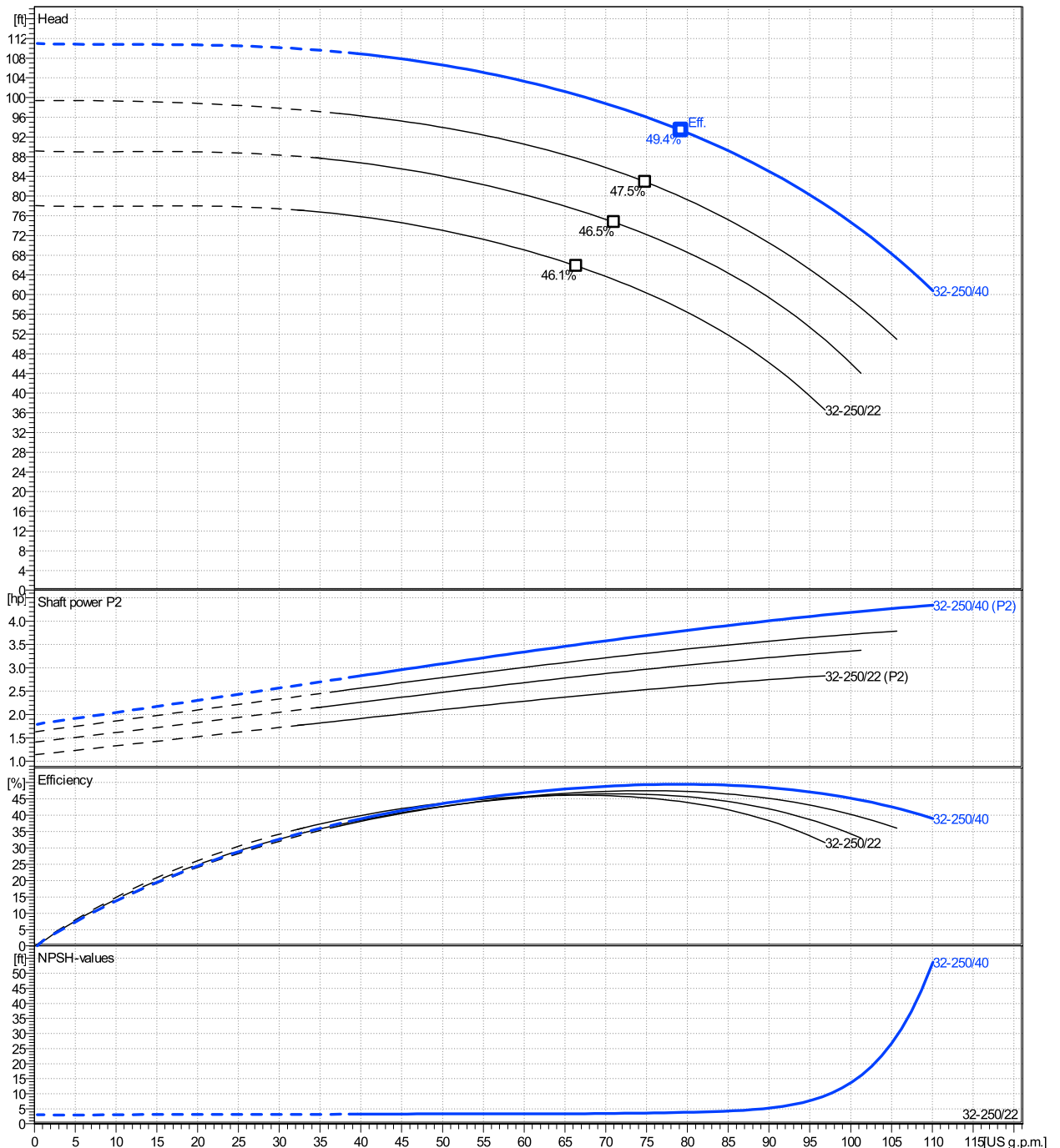
	Ø mm	Pump capacity			Pump head		Shaft power P2			Frequency	Hz	
		Operating range Min. US g.p.m.	Max. US g.p.m.	η Max. US g.p.m.	H(Q=0) ft	η Max. ft	P2(Q=0) hp	Max. hp	η Max. hp	Operating speed	rpm	
actual	10 3/16	39.6	110	79.2	111	93.4		4.34	3.78	Nominal flow	US g.p.m.	0
Min.	0	/	/	66.4	78.1	65.8		/	2.4	Nominal head	ft	0
Max.	10 3/16	/	/	79.2	111	93.4		/	3.78	Inlet pressure	psi	0
										Static head	ft	0

**Power datas referred to:**

hydr. Performance acceptance acc. To EN ISO 9906 Class Grade 3B

Water, pure [100%] ; 39.2°F; 62.4lb/ft³; 1.69E-5ft²/s

MEI: N.A - according to Ecodesign Directive 2009/125/EC and Regulation (EU) No.547/2012



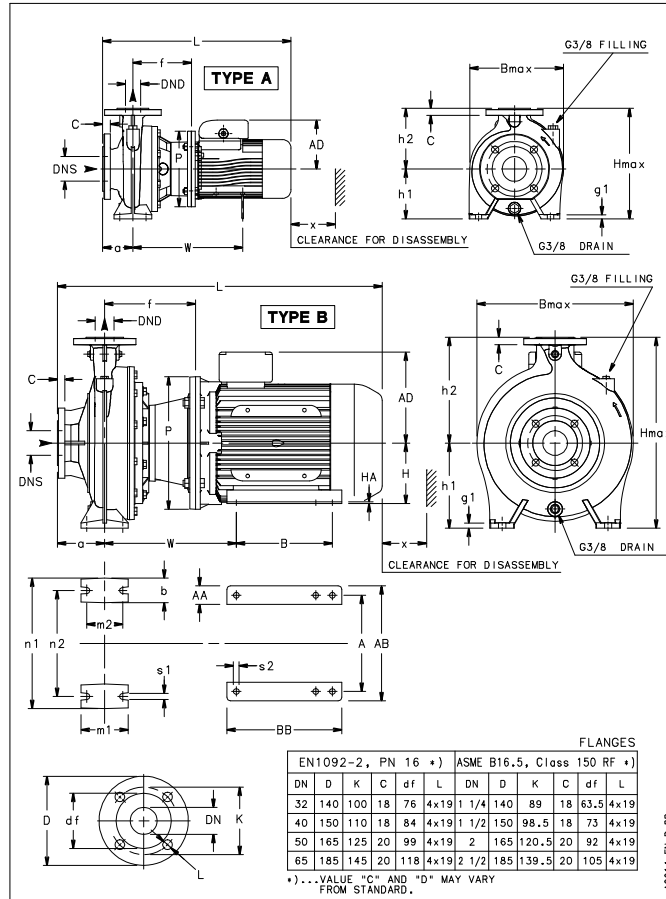
# NSCS32-250/40/P46PCS4

## Dimensions

Company name  
Contact  
Phone number  
e-mail address

Blockpump  
4 poles motor  
PLM 112 B5 4 kW

Electrical and dimensional data refer to IE3 motor



### Dimensions [ inch ]

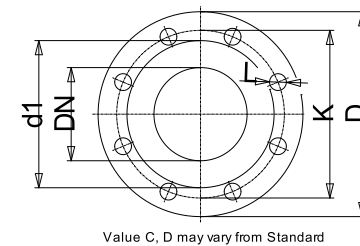
a	3 <sup>15</sup> / <sub>16</sub>		
AD	6 <sup>5</sup> / <sub>8</sub>		
b	2 <sup>9</sup> / <sub>16</sub>		
Bmax	13 <sup>1</sup> / <sub>2</sub>		
DNd	1 <sup>1</sup> / <sub>4</sub>		
DNs	1 <sup>15</sup> / <sub>16</sub>		
f	6 <sup>1</sup> / <sub>2</sub>		
g1	1 <sup>3</sup> / <sub>16</sub>		
h1	7 <sup>1</sup> / <sub>16</sub>		
h2	8 <sup>7</sup> / <sub>8</sub>		
Hmax	15 <sup>15</sup> / <sub>16</sub>		
L	25 <sup>1</sup> / <sub>2</sub>		
m1	4 <sup>15</sup> / <sub>16</sub>		
m2	3 <sup>3</sup> / <sub>4</sub>		
n1	12 <sup>5</sup> / <sub>8</sub>		
n2	9 <sup>13</sup> / <sub>16</sub>		
P	9 <sup>13</sup> / <sub>16</sub>		
s1	9 <sup>9</sup> / <sub>16</sub>		
Type	A		
Volumen	1 <sup>1</sup> / <sub>256</sub>		
w	13 <sup>9</sup> / <sub>16</sub>		
x	3 <sup>3</sup> / <sub>4</sub>		

### Weight

<b>Total weight</b>	<b>101 kg</b>
---------------------	---------------

### Connections

Suction nozzle		Discharge nozzle	
<b>DN 50</b>		<b>DN 32</b>	
<b>PN 16</b>		<b>PN 16</b>	
<b>EN1092-2</b>		<b>EN1092-2</b>	
C	1 <sup>3</sup> / <sub>16</sub>	C	1 <sup>1</sup> / <sub>16</sub>
D	6 <sup>1</sup> / <sub>2</sub>	D	5 <sup>1</sup> / <sub>2</sub>
df	3 <sup>7</sup> / <sub>8</sub>	df	3
DN	1 <sup>15</sup> / <sub>16</sub>	DN	1 <sup>1</sup> / <sub>4</sub>
K	4 <sup>15</sup> / <sub>16</sub>	K	3 <sup>15</sup> / <sub>16</sub>
L	4 x 19	L	4 x 19



### Dimensions and weight without obligation

<b>Project</b>	Xylect-20178897
<b>Block</b>	NSCS32-250/220/P26PCS4

Created by  
Created on 1/10/2025

Last update 1/10/2025