

# NSCS40-125/05/X46RCS4

## Technical data

Company name  
Contact  
Phone number  
e-mail address

Operating data				
1	Pumpe type	Single head pump	Fluid	Water, pure
2	No. of pumps	1	Operating temperature t A	°F 39.2
3	Nominal flow	US g.p.m. 0	Max / Min Operating Temperature mech. Seal	°F 120 / -25
4	Nominal head	ft 0	pH-value at t A	7
5	Static head	ft 0	Density at t A	lb/ft³ 62.4
6	Inlet pressure	psi 0	Kin. viscosity at t A	ft²/s 1.689E-5
7	Environmental temperature	°F 68	Vapor pressure at t A	psi 14.5
8	Available system NPSH	ft 0	Altitude	0

Pump data				
9	Lubrication	Standard, Grease lubrication [Std]		
10	Execution	4 poles motor		
11	Design	Horizontal		
12	Operating speed	1750 rpm	Stages	1
13	Suction nozzle	DN 65 / PN 16 / EN1092-2	Impeller Ø	Max. inch 5 5/16
14	Discharge nozzle	DN 40 / PN 16 / EN1092-2		designed inch 4 5/8
15	Max. casing pressure	psi	Flow	Min. inch 4 5/8
16	Max. working pressure	psi 9.5		Nominal US g.p.m.
17	Impeller type	Radial impeller		Max- US g.p.m. 132.1
18	Head H(Q=0)	ft 22	Head	Min- US g.p.m. 29.9
19	Max. shaft power	hp .7		Nominal ft
20	Pump weight	kg		at Qmax ft 11.7
21	Total weight	lb 68.3	Shaft power	at Qmin ft 21.9
			Efficiency	hp
			NPSH 3%	%

Materials				
Pump		Shaft Seal		
23	Volute Casing	Cast Iron	Single mechanical seal, without shaft sleeve	
24	Casing Cover	Cast Iron	eMG12 - Ø22mm	BQ7EGG-WA
25	Impeller	Fabricated Stainless Steel	Mechanical seal diameter	7/8 inch
26	Shaft	Stainless steel	1. Rotating ring	Carbon graphite resin impregnated
27	Wear ring	Stainless steel	2. Stationary ring	SiC, silicon carbide, sintered press.less
28	Impeller lock nut and washer	Stainless steel	3. Secondary seal	Ethylene propylene rubber (EPDM)
29	Impeller key	Stainless steel	4. Springs	CrNiMo - Steel
30	Fill and drain plugs	Stainless steel	5. Others	EPDM - WRAS
31			Gaskets of the pump	Ethylene propylene rubber (EPDM)
32				
33				
34				
35				
36				
37				
38				
39				
40				
41				

Motor data				
42	Manufacturer	Xylem		
43	Specific design	IE2 3ph Flange Motor - Premium Efficiency		
44	Type	LLM480B5/305		
45	Rated power	0.73756 hp	Rated current	2.35 A
46	Nominal speed	1740 rpm	Rated voltage	265 V
47	Frame size	80	Service factor	1
48	Weight	lb 18.1	Degree of protection	IP55

Remarks				
49				
50				
50				
52				

# NSCS40-125/05/X46RCS4

## Performance curve

Company name  
Contact  
Phone number  
e-mail address

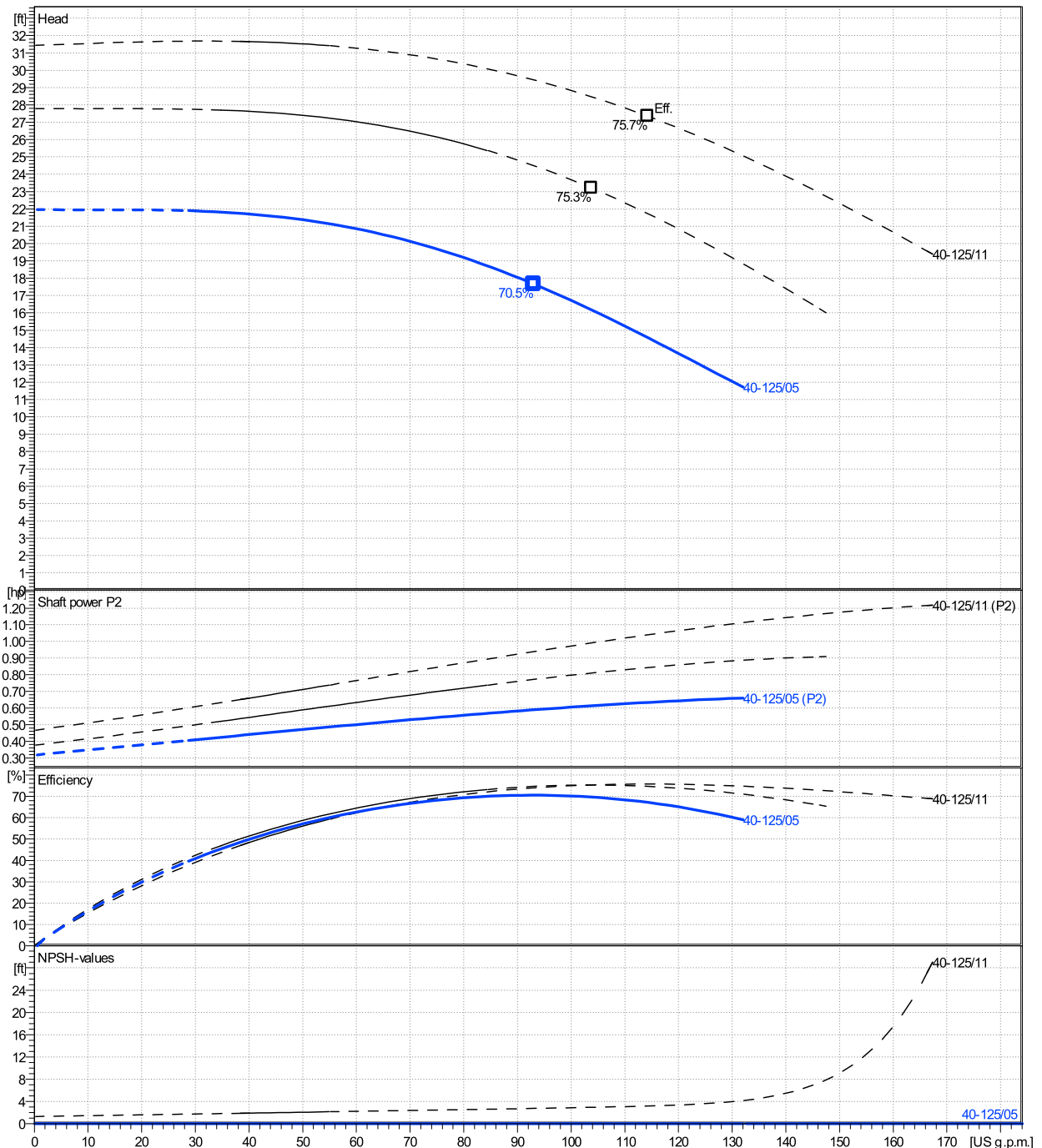
	Ø mm	Pump capacity			Pump head		Shaft power P2			Frequency	Hz	
		Operating range Min. US g.p.m.	Max. US g.p.m.	η Max. US g.p.m.	H(Q=0) ft	η Max. ft	P2(Q=0) hp	Max. hp	η Max. hp	Operating speed	rpm	
actual	4 5/8	29.9	132	93	22	17.7	0.66	0.589	Nominal flow	US g.p.m.	0	
Min.	0	/	/	93	22	17.7	/	0.589	Nominal head	ft	0	
Max.	5 5/16	/	/	114	31.4	27.4	/	1.04	Inlet pressure	psi	0	
									Static head	ft	0	

**Power datas referred to:**

hydr. Performance acceptance acc. To EN ISO 9906 Class Grade 3B

Water, pure [100%] ; 39.2°F; 62.4lb/ft³; 1.69E-5ft²/s

MEI: N.A - according to Ecodesign Directive 2009/125/EC and Regulation (EU) No.547/2012

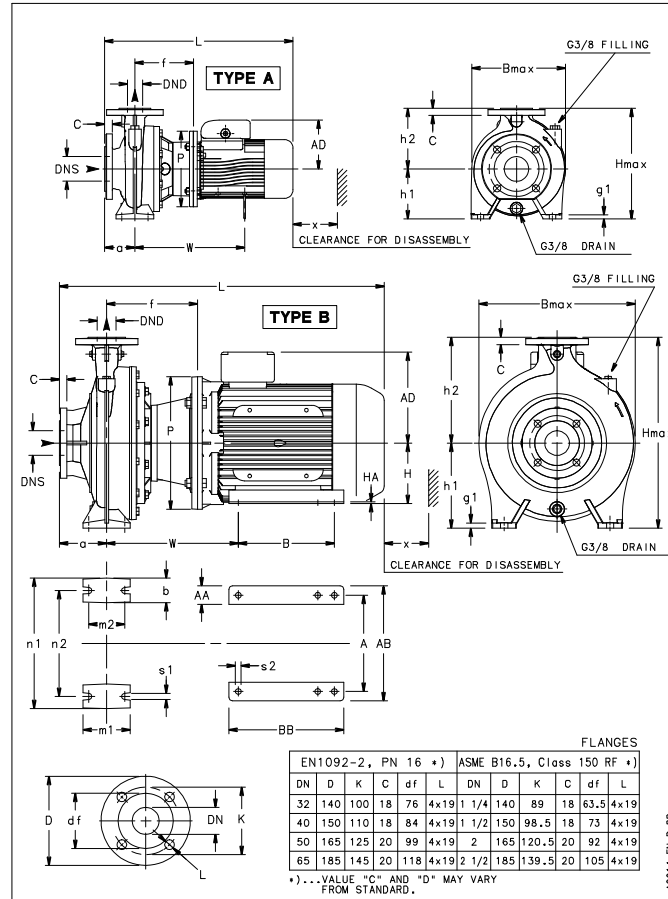


# NSCS40-125/05/X46RCS4

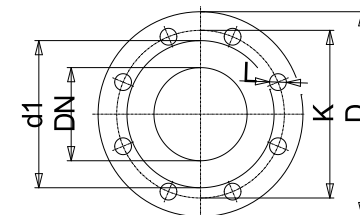
## Dimensions

Company name  
Contact  
Phone number  
e-mail address

Blockpump  
4 poles motor  
LLM480B5/305



ADD14-ENL\_B\_DD



Value C, D may vary from Standard

### Dimensions [ inch ]

a	3 <sup>1</sup> / <sub>8</sub>		
AD	5 <sup>1</sup> / <sub>16</sub>		
b	1 <sup>15</sup> / <sub>16</sub>		
Bmax	9 <sup>5</sup> / <sub>16</sub>		
DNd	1 <sup>9</sup> / <sub>16</sub>		
DNs	2 <sup>9</sup> / <sub>16</sub>		
f	6 <sup>1</sup> / <sub>8</sub>		
g1	9 <sup>1</sup> / <sub>16</sub>		
h1	4 <sup>7</sup> / <sub>16</sub>		
h2	5 <sup>1</sup> / <sub>2</sub>		
Hmax	9 <sup>15</sup> / <sub>16</sub>		
L	18 <sup>3</sup> / <sub>8</sub>		
m1	3 <sup>15</sup> / <sub>16</sub>		
m2	2 <sup>3</sup> / <sub>4</sub>		
n1	8 <sup>1</sup> / <sub>4</sub>		
n2	6 <sup>5</sup> / <sub>16</sub>		
P	7 <sup>7</sup> / <sub>8</sub>		
s1	9 <sup>1</sup> / <sub>16</sub>		
Type	A		
Volumen			
w			
x	3 <sup>3</sup> / <sub>4</sub>		

### Weight

Total weight	31 kg
--------------	-------

### Connections

Suction nozzle		Discharge nozzle	
DN 65		DN 40	
PN 16		PN 16	
EN1092-2		EN1092-2	
C	1 <sup>3</sup> / <sub>16</sub>	C	1 <sup>1</sup> / <sub>16</sub>
D	7 <sup>5</sup> / <sub>16</sub>	D	5 <sup>7</sup> / <sub>8</sub>
df	4 <sup>5</sup> / <sub>8</sub>	df	3 <sup>5</sup> / <sub>16</sub>
DN	2 <sup>9</sup> / <sub>16</sub>	DN	1 <sup>9</sup> / <sub>16</sub>
K	5 <sup>11</sup> / <sub>16</sub>	K	4 <sup>5</sup> / <sub>16</sub>
L	4 x 19	L	4 x 19

### Dimensions and weight without obligation

Project	Xylect-20178897
Block	NSCS40-125/75/P26PCS4

Created by  
Created on 1/10/2025

Last update 1/10/2025