

# NSCS40-125/75/P26PCS4

## Technical data

Company name  
Contact  
Phone number  
e-mail address

Operating data					
1	Pumpe type	Single head pump	Fluid	Water, pure	
2	No. of pumps	1	Operating temperature t A	°F	39.2
3	Nominal flow	US g.p.m. 0	Max / Min Operating Temperature mech. Seal	°F	120 / -25
4	Nominal head	ft 0	pH-value at t A		7
5	Static head	ft 0	Density at t A	lb/ft <sup>3</sup>	62.4
6	Inlet pressure	psi 0	Kin. viscosity at t A	ft <sup>2</sup> /s	1.689E-5
7	Environmental temperature	°F 68	Vapor pressure at t A	psi	14.5
8	Available system NPSH	ft 0	Altitude		0

Pump data							
9	Lubrication	Standard, Grease lubrication [Std]					
10	Execution	2 poles motor					
11	Design	Horizontal					
12	Operating speed	3500 rpm	Stages	1			
13	Suction nozzle	DN 65 /	PN 16 /	EN1092-2			
14	Discharge nozzle	DN 40 /	PN 16 /	EN1092-2			
15	Max. casing pressure	psi		Impeller Ø	Max. inch 5 5/16		
16	Max. working pressure	psi	55.7		designed inch 5 5/16		
17	Impeller type	Radial impeller				Min. inch 4 1/8	
18	Head H(Q=0)	ft	130	Flow	Nominal US g.p.m.		
19	Max. shaft power	hp	9.7		Max- US g.p.m.	325.8	
20	Pump weight	kg			Min- US g.p.m.	79.7	
21	Total weight	lb	201.1	Head	Nominal	ft	
					at Qmax	ft	81
				Shaft power		hp	
				Efficiency		%	
				NPSH 3%		ft	
					at Qmin	ft	128.2

Materials					
22		Pump		Shaft Seal	
23	Volute Casing	Cast Iron		Single mechanical seal, without shaft sleeve	
24	Casing Cover	Cast Iron		eMG12 - Ø22mm	BQ7EGG-WA
25	Impeller	Fabricated Stainless Steel		Mechanical seal diameter	7/8 inch
26	Shaft	Stainless steel		1. Rotating ring	Carbon graphite resin impregnated
27	Wear ring	Stainless steel		2. Stationary ring	SiC, silicon carbide, sintered press.less
28	Impeller lock nut and washer	Stainless steel		3. Secondary seal	Ethylene propylene rubber (EPDM)
29	Impeller key	Stainless steel		4. Springs	CrNiMo - Steel
30	Fill and drain plugs	Stainless steel		5. Others	EPDM - WRAS
31				Gaskets of the pump	Ethylene propylene rubber (EPDM)
32					
33					
34					
35					
36					
37					
38					
39					
40					
41					

Motor data					
Electrical and dimensional data refer to IE3 motor					
42	Manufacturer	Lowara			
43	Specific design	IE3 3ph Flange Motor - Premium Efficiency			
44	Type	PLM 132 B5 7,5 kW			
45	Rated power	10.058 hp	Rated current	24.8 A	
46	Nominal speed	3522 rpm	Rated voltage	220 V	
47	Frame size	132	Service factor	1	
48	Weight	lb 123.5	Degree of protection	IP55	

Remarks					
49					
50					
50					
52					

# NSCS40-125/75/P26PCS4

## Performance curve

Company name  
Contact  
Phone number  
e-mail address

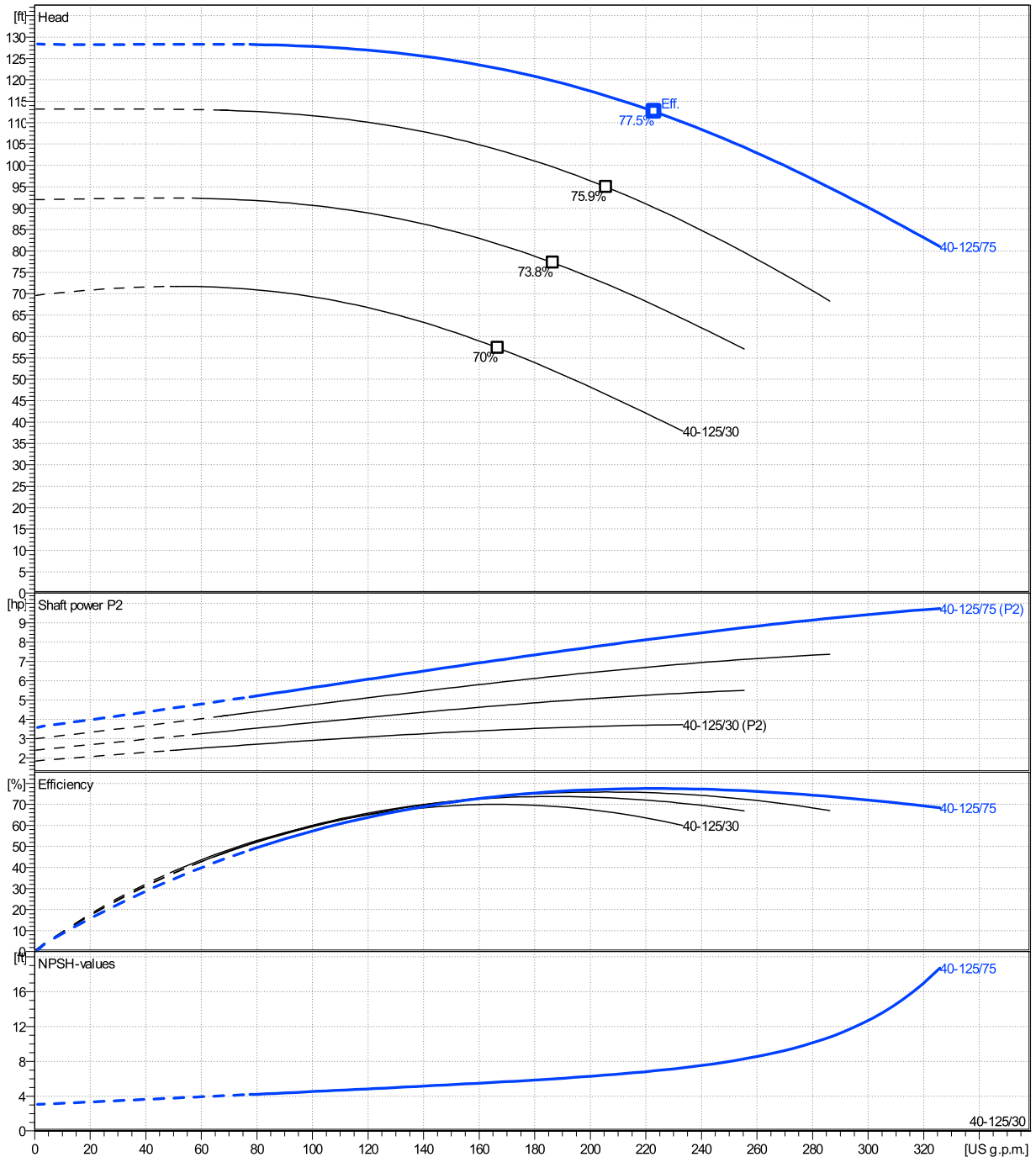
	Ø mm	Pump capacity Operating range η			Pump head H(Q=0) η		Shaft power P2 P2(Q=0) η			Frequency Hz		60
		Min. US g.p.m.	Max. US g.p.m.	Max. US g.p.m.	ft	ft	Max. hp	Max. hp	Max. hp	Operating speed rpm	3500	
actual	5 5/16	79.7	326	223	128	113	9.74	8.17	9.74	8.17	Nominal flow US g.p.m.	0
Min.	0	/	/	167	69.6	57.3	/	3.45	/	3.45	Nominal head ft	0
Max.	5 5/16	/	/	223	128	113	/	8.17	/	8.17	Inlet pressure psi	0
											Static head ft	0

**Power datas referred to:**

hydr. Performance acceptance acc. To EN ISO 9906 Class Grade 3B

Water, pure [100%]; 39.2°F; 62.4lb/ft³; 1.69E-5ft²/s

MEI: N.A - according to Ecodesign Directive 2009/125/EC and Regulation (EU) No.547/2012



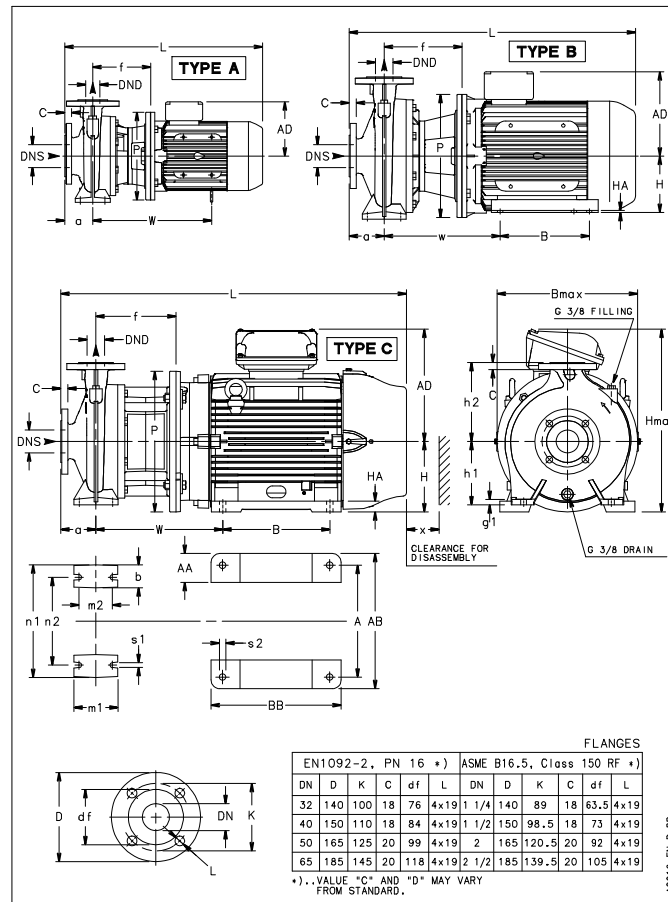
# NSCS40-125/75/P26PCS4

## Dimensions

Company name  
Contact  
Phone number  
e-mail address

Blockpump  
2 poles motor  
PLM 132 B5 7,5 kW

Electrical and dimensional data refer to IE3 motor



Value C, D may vary from Standard

Dimensions [ inch ]	
a	3 <sup>1</sup> / <sub>8</sub>
AD	7 <sup>1</sup> / <sub>2</sub>
b	1 <sup>15</sup> / <sub>16</sub>
Bmax	11 <sup>13</sup> / <sub>16</sub>
DNd	1 <sup>9</sup> / <sub>16</sub>
DNs	2 <sup>9</sup> / <sub>16</sub>
f	7 <sup>9</sup> / <sub>16</sub>
g1	9 <sup>1</sup> / <sub>16</sub>
h1	4 <sup>7</sup> / <sub>16</sub>
h2	5 <sup>1</sup> / <sub>2</sub>
Hmax	11 <sup>15</sup> / <sub>16</sub>
L	25 <sup>3</sup> / <sub>16</sub>
m1	3 <sup>15</sup> / <sub>16</sub>
m2	2 <sup>3</sup> / <sub>4</sub>
n1	8 <sup>3</sup> / <sub>4</sub>
n2	6 <sup>5</sup> / <sub>16</sub>
P	11 <sup>13</sup> / <sub>16</sub>
s1	9 <sup>1</sup> / <sub>16</sub>
Type	A
Volumen	
w	15 <sup>11</sup> / <sub>16</sub>
x	3 <sup>3</sup> / <sub>4</sub>

Weight	
Total weight	91.2 kg

Connections			
<b>Suction nozzle</b>	<b>Discharge nozzle</b>		
DN 65	DN 40		
PN 16	PN 16		
EN1092-2	EN1092-2		
C	1 <sup>3</sup> / <sub>16</sub>	C	1 <sup>1</sup> / <sub>16</sub>
D	7 <sup>5</sup> / <sub>16</sub>	D	5 <sup>7</sup> / <sub>8</sub>
df	4 <sup>5</sup> / <sub>8</sub>	df	3 <sup>5</sup> / <sub>8</sub>
DN	2 <sup>9</sup> / <sub>16</sub>	DN	1 <sup>9</sup> / <sub>16</sub>
K	5 <sup>11</sup> / <sub>16</sub>	K	4 <sup>5</sup> / <sub>16</sub>
L	4 x 19	L	4 x 19

### Dimensions and weight without obligation

Project	Xylect-20178897
Block	NSCS40-125/75/P26PCS4

Created by  
Created on 1/10/2025

Last update 1/10/2025