

NSCS40-200/15/P46PCS4

Technical data

Company name
Contact
Phone number
e-mail address

Operating data				
1	Pumpe type	Single head pump	Fluid	Water, pure
2	No. of pumps	1	Operating temperature t A	°F 39.2
3	Nominal flow	US g.p.m. 0	Max / Min Operating Temperature mech. Seal	°F 120 / -25
4	Nominal head	ft 0	pH-value at t A	7
5	Static head	ft 0	Density at t A	lb/ft ³ 62.4
6	Inlet pressure	psi 0	Kin. viscosity at t A	ft ² /s 1.689E-5
7	Environmental temperature	°F 68	Vapor pressure at t A	psi 14.5
8	Available system NPSH	ft 0	Altitude	0

Pump data				
9	Lubrication	Standard, Grease lubrication [Std]		
10	Execution	4 poles motor		
11	Design	Horizontal		
12	Operating speed	1750 rpm	Stages	1
13	Suction nozzle	DN 65 /	PN 16 /	EN1092-2
14	Discharge nozzle	DN 40 /	PN 16 /	EN1092-2
15	Max. casing pressure	psi		
16	Max. working pressure	psi	21	
17	Impeller type	Radial impeller		
18	Head H(Q=0)	ft	49	
19	Max. shaft power	hp	2	
20	Pump weight	kg		
21	Total weight	lb	112.4	

Materials				
22		Pump	Shaft Seal	
23	Volute Casing	Cast Iron	Single mechanical seal, without shaft sleeve	
24	Casing Cover	Cast Iron	eMG12 - Ø22mm	BQ7EGG-WA
25	Impeller	Fabricated Stainless Steel	Mechanical seal diameter	7/8 inch
26	Shaft	Stainless steel	1. Rotating ring	Carbon graphite resin impregnated
27	Wear ring	Stainless steel	2. Stationary ring	SiC, silicon carbide, sintered press.less
28	Impeller lock nut and washer	Stainless steel	3. Secondary seal	Ethylene propylene rubber (EPDM)
29	Impeller key	Stainless steel	4. Springs	CrNiMo - Steel
30	Fill and drain plugs	Stainless steel	5. Others	EPDM - WRAS
31			Gaskets of the pump	Ethylene propylene rubber (EPDM)
32				
33				
34				
35				
36				
37				
38				
39				
40				
41				

Motor data				
Electrical and dimensional data refer to IE3 motor				
42	Manufacturer	Lowara		
43	Specific design	IE3 3ph Flange Motor - Premium Efficiency		
44	Type	PLM 90 B5 1,5 kW		
45	Rated power	2.0115 hp	Rated current	6.34 A
46	Nominal speed	1734 rpm	Rated voltage	220 V
47	Frame size	90	Service factor	1
48	Weight	lb 49.8	Degree of protection	IP55

Remarks				
49				
50				
50				
52				

NSCS40-200/15/P46PCS4

Performance curve

Company name
Contact
Phone number
e-mail address

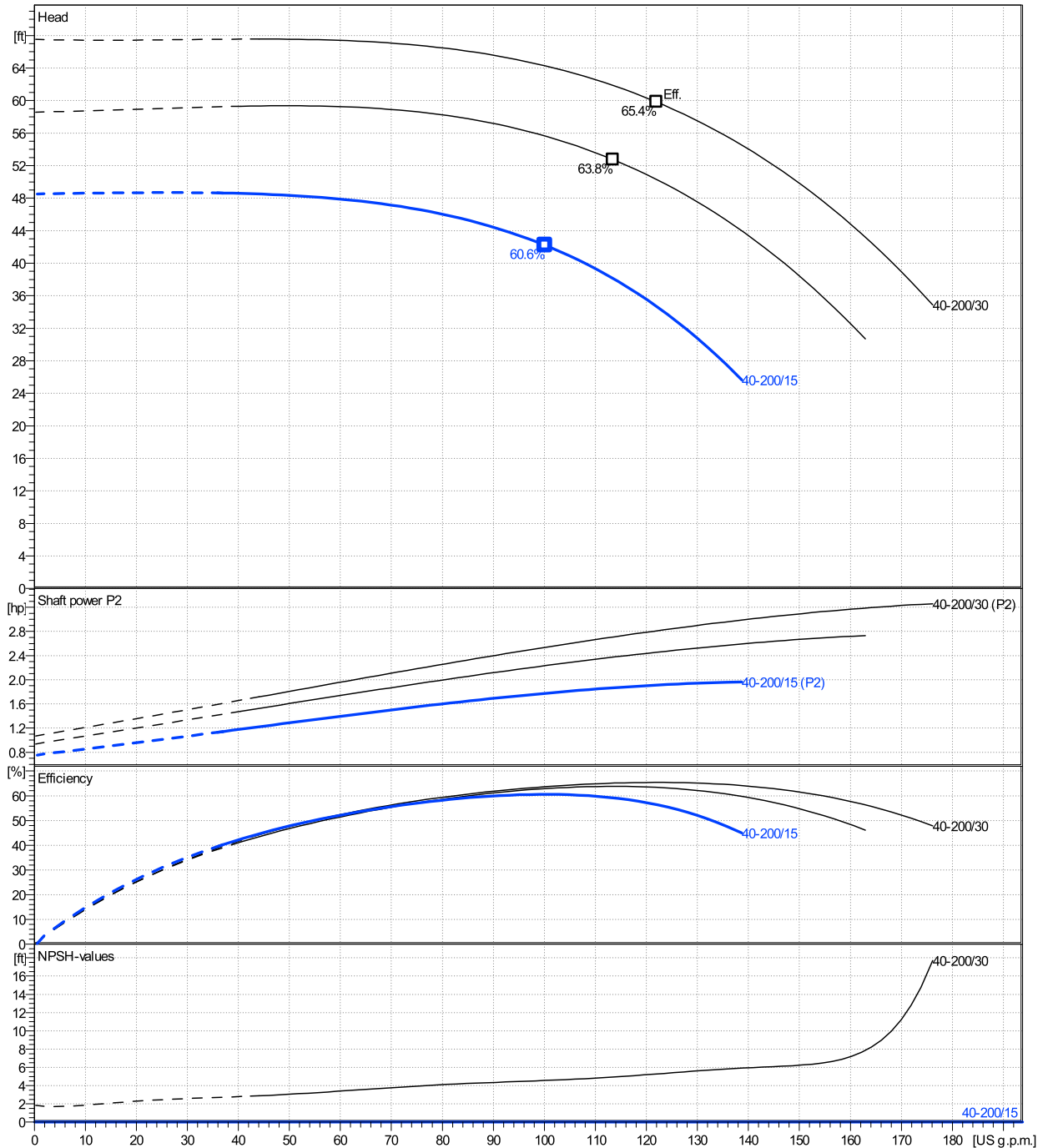
	Ø mm	Pump capacity Operating range η			Pump head H(Q=0) η		Shaft power P2 P2(Q=0) η			Frequency	Hz	60
		Min. US g.p.m.	Max. US g.p.m.	Max. US g.p.m.	H(Q=0) ft	Max. ft	P2(Q=0) hp	Max. hp	Max. hp	Operating speed	rpm	1750
actual	6 15/16	37	139	100	48.5	42.2	1.96	1.78	Nominal flow	US g.p.m.	0	
Min.	0	/	/	100	48.5	42.2	/	1.78	Nominal head	ft	0	
Max.	7 13/16	/	/	122	67.5	59.8	/	2.81	Inlet pressure	psi	0	
									Static head	ft	0	

Power datas referred to:

hydr. Performance acceptance acc. To EN ISO 9906 Class Grade 3B

Water, pure [100%] ; 39.2°F; 62.4lb/ft³; 1.69E-5ft²/s

MEI: N.A - according to Ecodesign Directive 2009/125/EC and Regulation (EU) No.547/2012



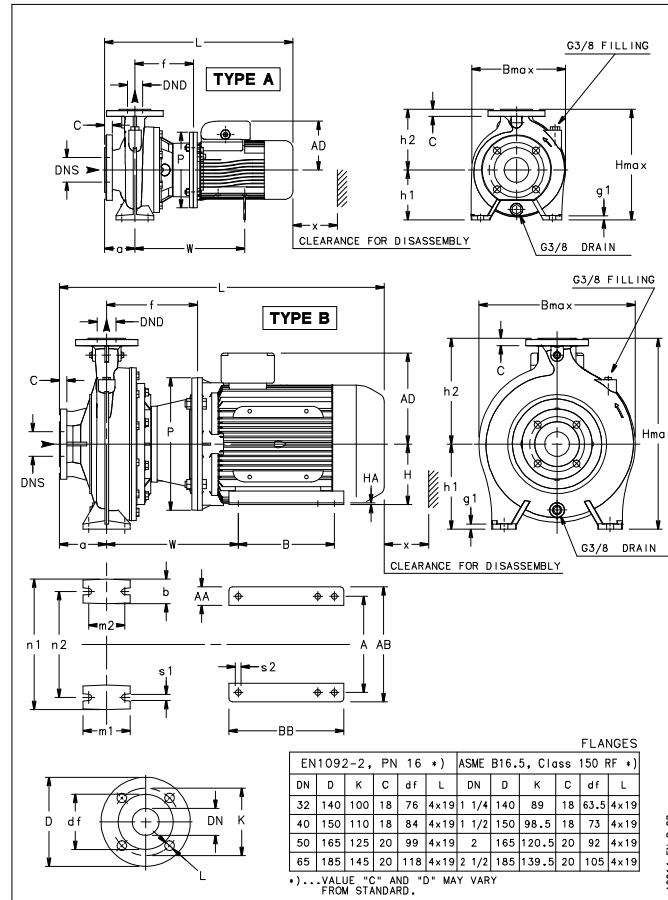
NSCS40-200/15/P46PCS4

Dimensions

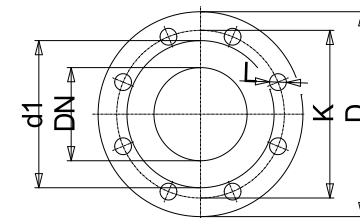
Company name
Contact
Phone number
e-mail address

Blockpump
4 poles motor
PLM 90 B5 1,5 kW

Electrical and dimensional data refer to IE3 motor



A0014-EN_LB_DD



Value C, D may vary from Standard

Dimensions [inch]

a	3 ¹⁵ / ₁₆		
AD	9 ⁷ / ₁₆		
b	1 ¹⁵ / ₁₆		
Bmax	11 ⁷ / ₁₆		
DNd	1 ⁹ / ₁₆		
DNs	2 ⁹ / ₁₆		
f	6 ¹ / ₈		
g1	9 ⁹ / ₁₆		
h1	6 ⁵ / ₁₆		
h2	7 ¹ / ₁₆		
Hmax	15 ³ / ₄		
L	21 ³ / ₄		
m1	3 ¹⁵ / ₁₆		
m2	2 ³ / ₄		
n1	10 ⁷ / ₁₆		
n2	8 ³ / ₈		
P	7 ⁷ / ₈		
s1	9 ⁹ / ₁₆		
Type	A		
Volumen	1 ¹ / ₂₅₆		
w	11 ¹³ / ₁₆		
x	3 ⁹ / ₁₆		

Weight

Total weight	51 kg
---------------------	--------------

Connections

Suction nozzle		Discharge nozzle	
DN 65		DN 40	
PN 16		PN 16	
EN1092-2		EN1092-2	
C	1 ³ / ₁₆	C	1 ¹ / ₁₆
D	7 ⁵ / ₁₆	D	5 ⁷ / ₈
df	4 ⁵ / ₈	df	3 ⁵ / ₁₆
DN	2 ⁹ / ₁₆	DN	1 ⁹ / ₁₆
K	5 ¹¹ / ₁₆	K	4 ⁵ / ₁₆
L	4 x 19	L	4 x 19

Dimensions and weight without obligation

Project	Xylect-20178266	Created by		Last update	1/10/2025
Block	NSCS40-200/185/P26PCS4	Created on	1/10/2025		