

NSCS40-250/185/P26PCS4

Technical data

Company name
Contact
Phone number
e-mail address

Operating data			
1	Pumpe type	Single head pump	Fluid Water, pure
2	No. of pumps	1	Operating temperature t A °F 39.2
3	Nominal flow	US g.p.m. 0	Max / Min Operating Temperature mech. Seal °F 120 / -25
4	Nominal head	ft 0	pH-value at t A 7
5	Static head	ft 0	Density at t A lb/ft³ 62.4
6	Inlet pressure	psi 0	Kin. viscosity at t A ft²/s 1.689E-5
7	Environmental temperature	°F 68	Vapor pressure at t A psi 14.5
8	Available system NPSH	ft 0	Altitude 0

Pump data			
9	Lubrication	Standard, Grease lubrication [Std]	
10	Execution	2 poles motor	
11	Design	Horizontal	
12	Operating speed	3500 rpm	Stages 1
13	Suction nozzle	DN 65 / PN 16 / EN1092-2	Impeller Ø
14	Discharge nozzle	DN 40 / PN 16 / EN1092-2	
15	Max. casing pressure	psi	Flow
16	Max. working pressure	psi 126.5	
17	Impeller type	Radial impeller	
18	Head H(Q=0)	ft 290	Head
19	Max. shaft power	hp 24.7	
20	Pump weight	kg	Shaft power hp
21	Total weight	lb 338.4	
			Efficiency %
			NPSH 3% ft

Materials			
22		Pump	Shaft Seal
23	Volute Casing	Cast Iron	Single mechanical seal, without shaft sleeve
24	Casing Cover	Cast Iron	eMG12 - Ø28mm BQ7EGG-WA
25	Impeller	Fabricated Stainless Steel	Mechanical seal diameter 1 1/8 inch
26	Shaft	Stainless steel	1. Rotating ring Carbon graphite resin impregnated
27	Wear ring	Stainless steel	2. Stationary ring SiC, silicon carbide, sintered press.less
28	Impeller lock nut and washer	Stainless steel	3. Secondary seal Ethylene propylene rubber (EPDM)
29	Impeller key	Stainless steel	4. Springs CrNiMo - Steel
30	Fill and drain plugs	Stainless steel	5. Others EPDM - WRAS
31			Gaskets of the pump Ethylene propylene rubber (EPDM)
32			
33			
34			
35			
36			
37			
38			
39			
40			
41			

Motor data			
Electrical and dimensional data refer to IE3 motor			
42	Manufacturer	Lowara	
43	Specific design	IE3 3ph Flange Motor - Premium Efficiency	
44	Type	PLM 160 B35 18,5 kW	
45	Rated power	24.809 hp	Rated current 33.7 A
46	Nominal speed	3540 rpm	Rated voltage 380 V
47	Frame size	160	Service factor 1
48	Weight	lb 246.9	Degree of protection IP55

Remarks	
49	
50	
50	
52	

NSCS40-250/185/P26PCS4

Performance curve

Company name
Contact
Phone number
e-mail address

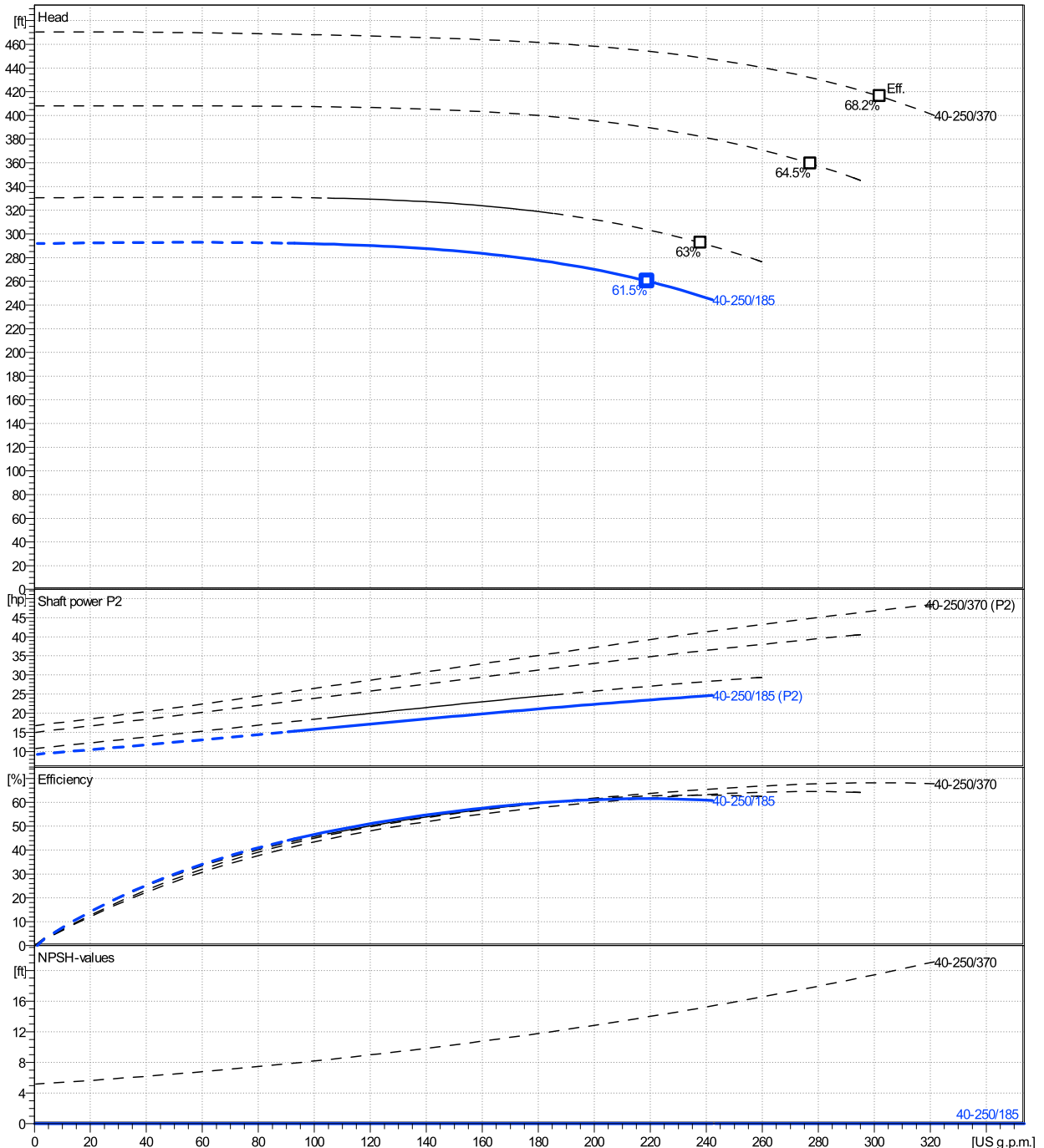
	Ø mm	Pump capacity			Pump head		Shaft power P2			Frequency	Hz	
		Operating range Min. US g.p.m.	Max. US g.p.m.	η Max. US g.p.m.	H(Q=0) ft	η Max. ft	P2(Q=0) hp	Max. hp	η Max. hp	Operating speed	rpm	
actual	8 1/4	92.9	242	219	292	260	24.7	23.4	Nominal flow	US g.p.m.	0	
Min.	0	/	/	219	292	260	/	23.4	Nominal head	ft	0	
Max.	10 1/8	/	/	302	470	416	/	46.9	Inlet pressure	psi	0	
									Static head	ft	0	

Power datas referred to:

hydr. Performance acceptance acc. To EN ISO 9906 Class Grade 3B

Water, pure [100%] ; 39.2°F; 62.4lb/ft³; 1.69E-5ft²/s

MEI: N.A - according to Ecodesign Directive 2009/125/EC and Regulation (EU) No.547/2012



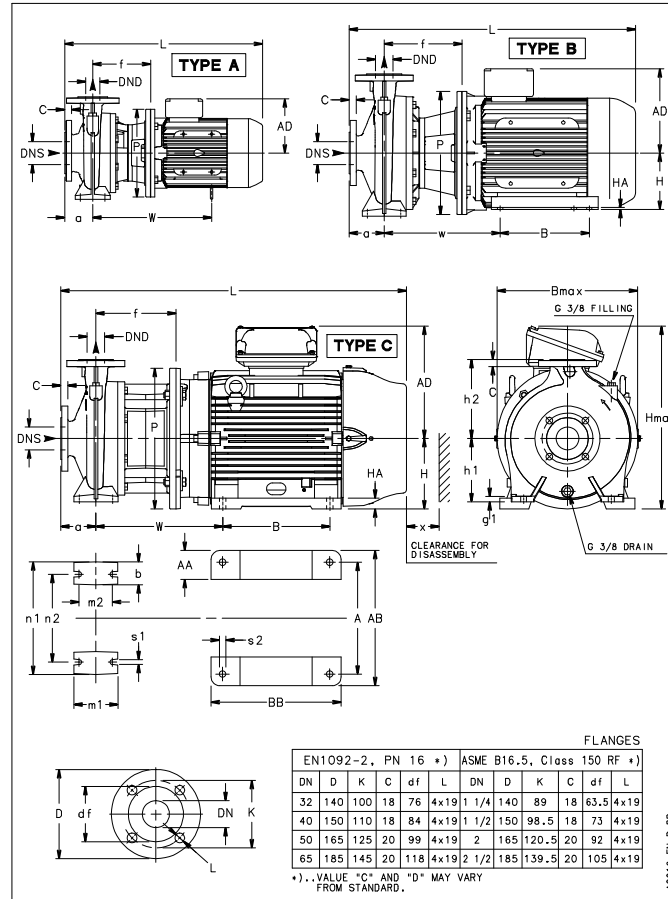
NSCS40-250/185/P26PCS4

Dimensions

Company name
Contact
Phone number
e-mail address

Blockpump B35
2 poles motor
PLM 160 B35 18,5 kW

Electrical and dimensional data refer to IE3 motor



Value C, D may vary from Standard

Dimensions		[inch]
a	3 ⁵ / ₁₆	
AD	9 ⁷ / ₁₆	
b	2 ⁹ / ₁₆	
Bmax	13 ³ / ₄	
DNd	1 ⁹ / ₁₆	
DNs	2 ⁹ / ₁₆	
f	8 ³ / ₄	
g1	5 ⁷ / ₈	
h1	7 ¹ / ₁₆	
h2	8 ⁷ / ₈	
Hmax	16 ⁹ / ₁₆	
L	32 ¹ / ₈	
m1	4 ¹⁵ / ₁₆	
m2	3 ³ / ₄	
n1	12 ⁵ / ₈	
n2	9 ¹³ / ₁₆	
P	13 ³ / ₄	
s1	9 ⁹ / ₁₆	
Type	B	
Volumen	1 ¹ / ₁₂₈	
w	13	
x	4 ¹ / ₈	

Weight	
Total weight	153.5 kg

Connections	
Suction nozzle	Discharge nozzle
DN 65	DN 40
PN 16	PN 16
EN1092-2	EN1092-2
C	1 ³ / ₁₆
D	7 ⁵ / ₁₆
df	4 ⁵ / ₈
DN	2 ⁹ / ₁₆
K	5 ¹¹ / ₁₆
L	4 x 19
C	1 ¹ / ₁₆
D	5 ⁷ / ₈
df	3 ⁵ / ₈
DN	1 ⁹ / ₁₆
K	4 ⁵ / ₁₆
L	4 x 19

Dimensions and weight without obligation

Project	Xylect-20178897
Block	NSCS40-250/370/L26UCS4

Created by
Created on 1/10/2025

Last update 1/10/2025