

# NSCS50-125/55/P26PCS4

## Technical data

Company name  
Contact  
Phone number  
e-mail address

Operating data					
1	Pumpe type	Single head pump		Fluid	Water, pure
2	No. of pumps	1		Operating temperature t A	°F 39.2
3	Nominal flow	US g.p.m.	0	Max / Min Operating Temperature mech. Seal	°F 120 / -25
4	Nominal head	ft	0	pH-value at t A	7
5	Static head	ft	0	Density at t A	lb/ft <sup>3</sup> 62.4
6	Inlet pressure	psi	0	Kin. viscosity at t A	ft <sup>2</sup> /s 1.689E-5
7	Environmental temperature	°F	68	Vapor pressure at t A	psi 14.5
8	Available system NPSH	ft	0	Altitude	0

Pump data					
9	Lubrication	Standard, Grease lubrication [Std]			
10	Execution	2 poles motor			
11	Design	Horizontal			
12	Operating speed	3500 rpm	Stages	1	
13	Suction nozzle	DN 65	/	PN 16	/ EN1092-2
14	Discharge nozzle	DN 50	/	PN 16	/ EN1092-2
15	Max. casing pressure	psi			
16	Max. working pressure	psi	35.9		
17	Impeller type	Radial impeller			
18	Head H(Q=0)	ft	83		
19	Max. shaft power	hp	6.9		
20	Pump weight	kg			
21	Total weight	lb	143.3		

	Impeller Ø	Max.	inch	5 11/16
		designed	inch	4 5/8
		Min.	inch	4 5/8
		Nominal US g.p.m.		
	Flow	Max-	US g.p.m.	424
		Min-	US g.p.m.	96.9
		Nominal		
	Head	at Qmax	ft	34.1
		at Qmin	ft	81.7
	Shaft power	hp		
	Efficiency	%		
	NPSH 3%	ft		

Materials					
	Pump			Shaft Seal	
22				Single mechanical seal, without shaft sleeve	
23	Volute Casing	Cast Iron		eMG12 - Ø22mm	BQ7EGG-WA
24	Casing Cover	Cast Iron		Mechanical seal diameter	7/8 inch
25	Impeller	Fabricated Stainless Steel		1. Rotating ring	Carbon graphite resin impregnated
26	Shaft	Stainless steel		2. Stationary ring	SiC, silicon carbide, sintered press.less
27	Wear ring	Stainless steel		3. Secondary seal	Ethylene propylene rubber (EPDM)
28	Impeller lock nut and washer	Stainless steel		4. Springs	CrNiMo - Steel
29	Impeller key	Stainless steel		5. Others	EPDM - WRAS
30	Fill and drain plugs	Stainless steel		Gaskets of the pump	Ethylene propylene rubber (EPDM)
31					
32					
33					
34					
35					
36					
37					
38					
39					
40					
41					

Motor data					
Electrical and dimensional data refer to IE3 motor					
42	Manufacturer	Lowara			
43	Specific design	IE3 3ph Flange Motor - Premium Efficiency			
44	Type	PLM 132R B5 5,5 kW			
45	Rated power	7.3756 hp	Rated current	18.1 A	
46	Nominal speed	3516 rpm	Rated voltage	220 V	
47	Frame size	132R	Service factor	1	
48	Weight	lb 82.9	Degree of protection	IP55	

Remarks					
49					
50					
50					
52					

Project	Xylect-2017897	Created by		Last update	1/10/2025
Block	NSCS50-125/110/P26PCS4	Created on	1/10/2025		

# NSCS50-125/55/P26PCS4

## Performance curve

Company name  
Contact  
Phone number  
e-mail address

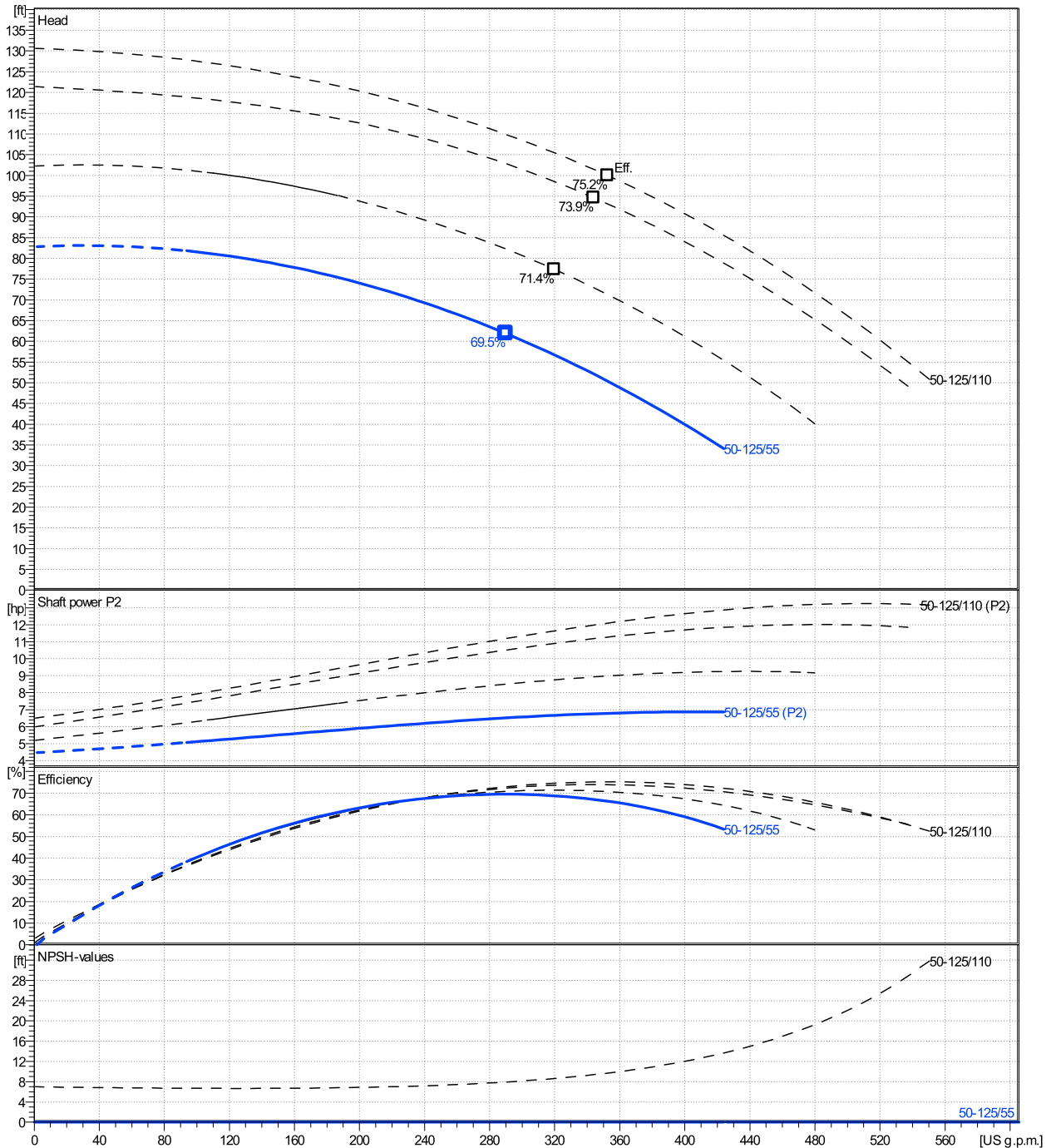
	Ø mm	Pump capacity Operating range η			Pump head H(Q=0) η		Shaft power P2 P2(Q=0) η			Frequency Hz	
		Min. US g.p.m.	Max. US g.p.m.	Max. US g.p.m.	ft	ft	hp	Max. hp	η hp	rpm	
actual	4 5/8	96.9	424	290	82.8	61.9		6.88	6.51	Operating speed	3500
Min.	0	/	/	290	82.8	61.9		/	6.51	Nominal flow	0
Max.	5 11/16	/	/	352	131	100		/	12.1	Nominal head	ft 0
										Inlet pressure	psi 0
										Static head	ft 0

**Power datas referred to:**

hydr. Performance acceptance acc. To EN ISO 9906 Class Grade 3B

Water, pure [100%] ; 39.2°F; 62.4lb/ft³; 1.69E-5ft²/s

MEI: N.A - according to Ecodesign Directive 2009/125/EC and Regulation (EU) No.547/2012



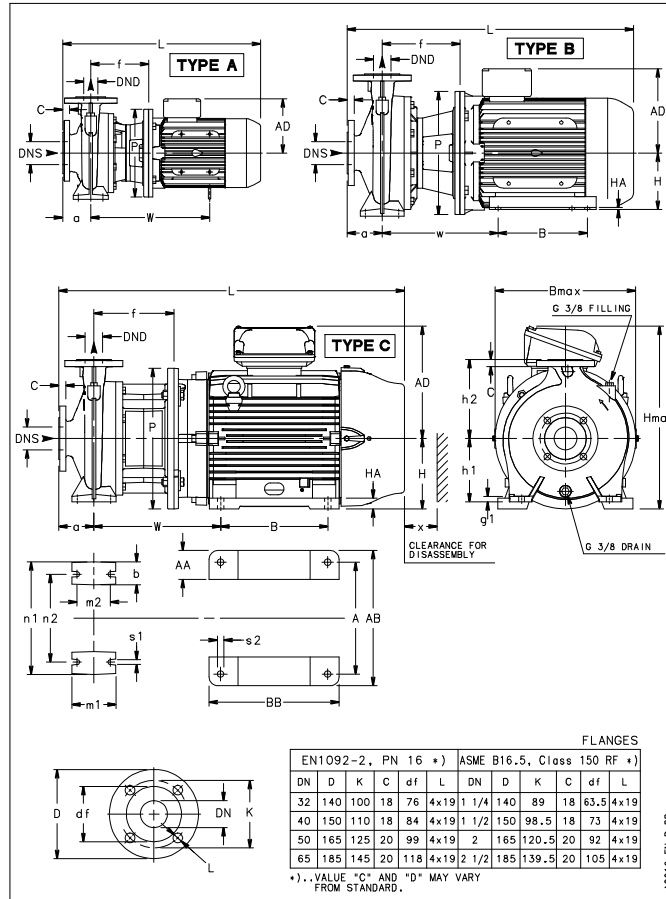
**NSCS50-125/55/P26PCS4**

**Dimensions**

Company name  
Contact  
Phone number  
e-mail address

Blockpump  
2 poles motor  
PLM 132R B5 5,5 kW

Electrical and dimensional data refer to IE3 motor



Value C, D may vary from Standard

Dimensions		[ inch ]	
a	3 <sup>15</sup> / <sub>16</sub>		
AD	6 <sup>5</sup> / <sub>8</sub>		
b	1 <sup>15</sup> / <sub>16</sub>		
Bmax	11 <sup>13</sup> / <sub>16</sub>		
DNd	1 <sup>15</sup> / <sub>16</sub>		
DNS	2 <sup>9</sup> / <sub>16</sub>		
f	7 <sup>5</sup> / <sub>8</sub>		
g1	9 <sup>9</sup> / <sub>16</sub>		
h1	5 <sup>3</sup> / <sub>16</sub>		
h2	6 <sup>5</sup> / <sub>16</sub>		
Hmax	11 <sup>13</sup> / <sub>16</sub>		
L	26 <sup>5</sup> / <sub>16</sub>		
m1	3 <sup>15</sup> / <sub>16</sub>		
m2	2 <sup>3</sup> / <sub>4</sub>		
n1	9 <sup>7</sup> / <sub>16</sub>		
n2	7 <sup>1</sup> / <sub>2</sub>		
P	11 <sup>13</sup> / <sub>16</sub>		
s1	9 <sup>9</sup> / <sub>16</sub>		
Type	A		
Volumen	1 <sup>1</sup> / <sub>256</sub>		
w	15 <sup>11</sup> / <sub>16</sub>		
x	4 <sup>3</sup> / <sub>16</sub>		

Weight	
Total weight	65 kg

Connections			
<b>Suction nozzle</b>		<b>Discharge nozzle</b>	
DN 65		DN 50	
PN 16		PN 16	
EN1092-2		EN1092-2	
C	1 <sup>3</sup> / <sub>16</sub>	C	1 <sup>3</sup> / <sub>16</sub>
D	7 <sup>5</sup> / <sub>16</sub>	D	6 <sup>1</sup> / <sub>2</sub>
df	4 <sup>5</sup> / <sub>8</sub>	df	3 <sup>7</sup> / <sub>8</sub>
DN	2 <sup>9</sup> / <sub>16</sub>	DN	1 <sup>15</sup> / <sub>16</sub>
K	5 <sup>11</sup> / <sub>16</sub>	K	4 <sup>15</sup> / <sub>16</sub>
L	4 x 19	L	4 x 19

**Dimensions and weight without obligation**

Project	Xylect-20178897
Block	NSCS50-125/110/P26PCS4

Created by  
Created on 1/10/2025

Last update 1/10/2025