

# NSCS50-200/40/P46PCS4

## Technical data

Company name  
Contact  
Phone number  
e-mail address

Operating data				
1	Pumpe type	Single head pump	Fluid	Water, pure
2	No. of pumps	1	Operating temperature t A	°F 39.2
3	Nominal flow	US g.p.m. 0	Max / Min Operating Temperature mech. Seal	°F 120 / -25
4	Nominal head	ft 0	pH-value at t A	7
5	Static head	ft 0	Density at t A	lb/ft <sup>3</sup> 62.4
6	Inlet pressure	psi 0	Kin. viscosity at t A	ft <sup>2</sup> /s 1.689E-5
7	Environmental temperature	°F 68	Vapor pressure at t A	psi 14.5
8	Available system NPSH	ft 0	Altitude	0

Pump data				
9	Lubrication	Standard, Grease lubrication [Std]		
10	Execution	4 poles motor		
11	Design	Horizontal		
12	Operating speed	1750 rpm	Stages	1
13	Suction nozzle	DN 65 /	PN 16 /	EN1092-2
14	Discharge nozzle	DN 50 /	PN 16 /	EN1092-2
15	Max. casing pressure	psi		
16	Max. working pressure	psi	31.5	
17	Impeller type	Radial impeller		
18	Head H(Q=0)	ft	73	
19	Max. shaft power	hp	5.4	
20	Pump weight	kg		
21	Total weight	lb	191.8	

		Impeller Ø		Flow		Head		Shaft power		Efficiency	
	Max.	inch	8 1/4		Nominal	US g.p.m.			hp		%
	designed	inch	8 1/4		at Qmax	ft	44.8				
	Min.	inch	6 5/8		at Qmin	ft	72.4				
	Max-	US g.p.m.	308.2								
	Min-	US g.p.m.	70.4								

Materials				
Pump			Shaft Seal	
23	Volute Casing	Cast Iron	Single mechanical seal, without shaft sleeve	
24	Casing Cover	Cast Iron	eMG12 - Ø28mm	BQ7EGG-WA
25	Impeller	Fabricated Stainless Steel	Mechanical seal diameter	1 1/8 inch
26	Shaft	Stainless steel	1. Rotating ring	Carbon graphite resin impregnated
27	Wear ring	Stainless steel	2. Stationary ring	SiC, silicon carbide, sintered press.less
28	Impeller lock nut and washer	Stainless steel	3. Secondary seal	Ethylene propylene rubber (EPDM)
29	Impeller key	Stainless steel	4. Springs	CrNiMo - Steel
30	Fill and drain plugs	Stainless steel	5. Others	EPDM - WRAS
31			Gaskets of the pump	Ethylene propylene rubber (EPDM)
32				
33				
34				
35				
36				
37				
38				
39				
40				
41				

Motor data				
Electrical and dimensional data refer to IE3 motor				
42	Manufacturer	Lowara		
43	Specific design	IE3 3ph Flange Motor - Premium Efficiency		
44	Type	PLM 112 B5 4 kW		
45	Rated power	5.3641 hp	Rated current	8.52 A
46	Nominal speed	1740 rpm	Rated voltage	380 V
47	Frame size	112	Service factor	1
48	Weight	lb 126.1	Degree of protection	IP55

Remarks				
49				
50				
50				
52				

# NSCS50-200/40/P46PCS4

## Performance curve

Company name  
Contact  
Phone number  
e-mail address

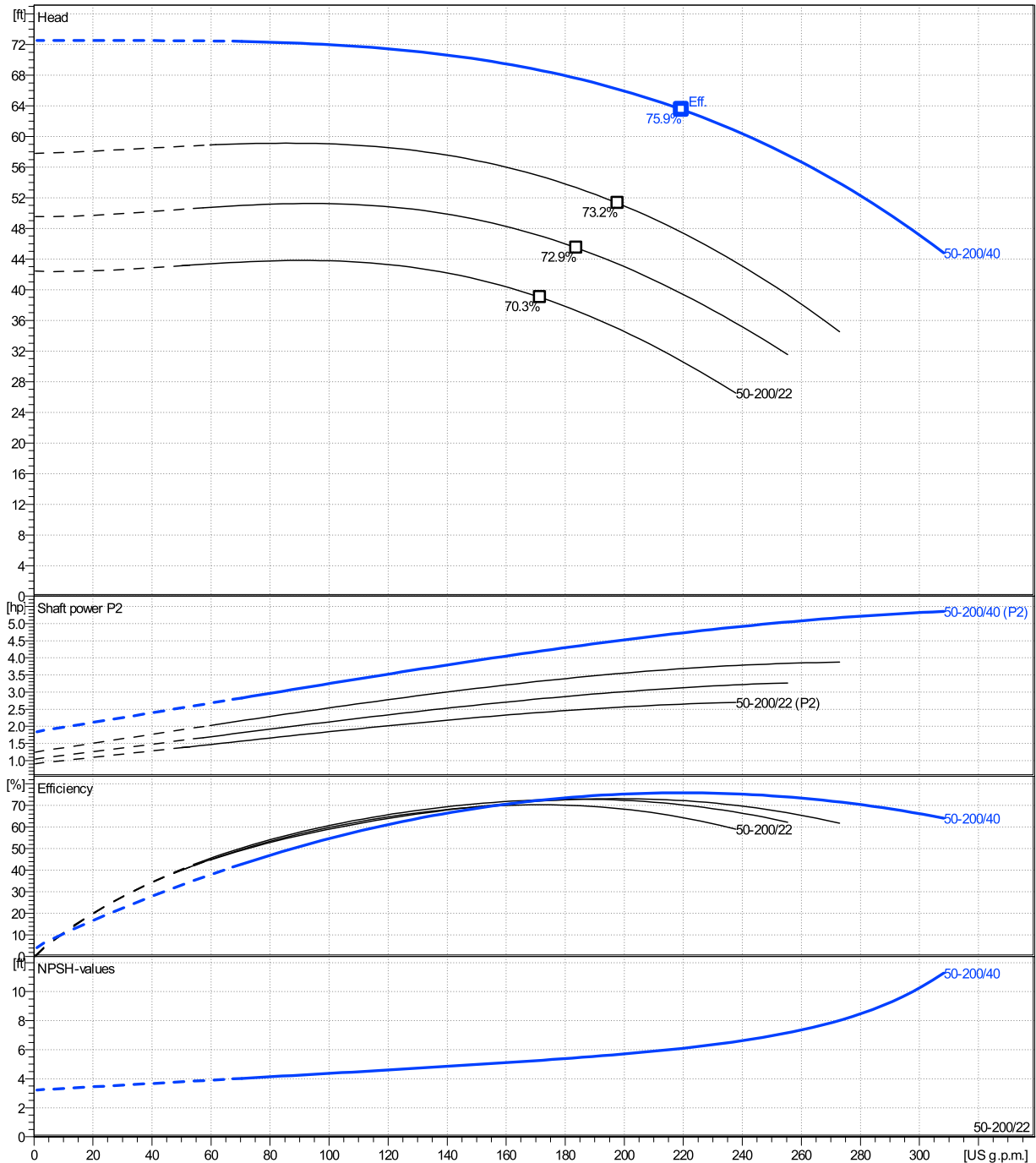
	Ø mm	Pump capacity Operating range η			Pump head H(Q=0) η		Shaft power P2 P2(Q=0) η			Frequency	Hz	60
		Min. US g.p.m.	Max. US g.p.m.	Max. US g.p.m.	H(Q=0) ft	Max. ft	P2(Q=0) hp	Max. hp	Max. hp	Operating speed	rpm	1750
actual	8 1/4	70.4	308	219	72.5	63.5	5.35	4.73	Nominal flow	US g.p.m.	0	
Min.	0	/	/	171	42.4	39	/	2.41	Nominal head	ft	0	
Max.	8 1/4	/	/	219	72.5	63.5	/	4.73	Inlet pressure	psi	0	
									Static head	ft	0	

**Power datas referred to:**

hydr. Performance acceptance acc. To EN ISO 9906 Class Grade 3B

Water, pure [100%] ; 39.2°F; 62.4lb/ft³; 1.69E-5ft²/s

MEI: N.A - according to Ecodesign Directive 2009/125/EC and Regulation (EU) No.547/2012



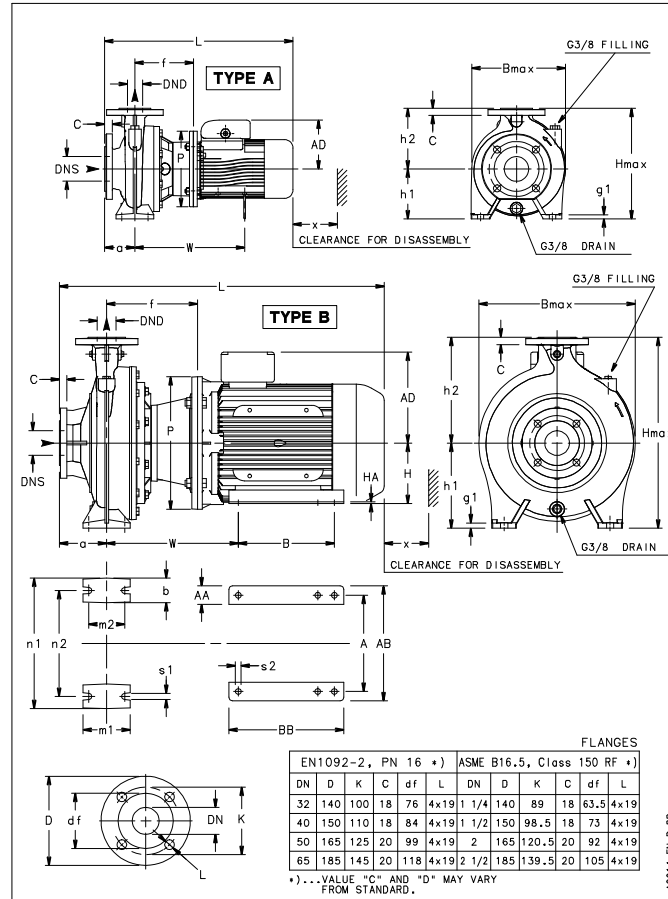
# NSCS50-200/40/P46PCS4

## Dimensions

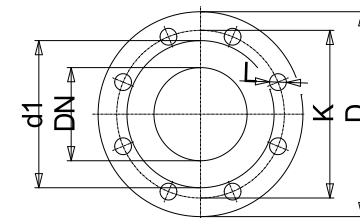
Company name  
Contact  
Phone number  
e-mail address

Blockpump  
4 poles motor  
PLM 112 B5 4 kW

Electrical and dimensional data refer to IE3 motor



A0014-ENL\_B\_DD



Value C, D may vary from Standard

### Dimensions [ inch ]

a	3 <sup>15</sup> / <sub>16</sub>		
AD	6 <sup>5</sup> / <sub>8</sub>		
b	1 <sup>15</sup> / <sub>16</sub>		
Bmax	12 <sup>1</sup> / <sub>64</sub>		
DNd	1 <sup>15</sup> / <sub>16</sub>		
DNs	2 <sup>9</sup> / <sub>16</sub>		
f	6 <sup>1</sup> / <sub>2</sub>		
g1	9 <sup>9</sup> / <sub>16</sub>		
h1	6 <sup>5</sup> / <sub>16</sub>		
h2	7 <sup>7</sup> / <sub>8</sub>		
Hmax	14 <sup>3</sup> / <sub>16</sub>		
L	25 <sup>1</sup> / <sub>2</sub>		
m1	3 <sup>15</sup> / <sub>16</sub>		
m2	2 <sup>3</sup> / <sub>4</sub>		
n1	10 <sup>7</sup> / <sub>16</sub>		
n2	8 <sup>3</sup> / <sub>8</sub>		
P	9 <sup>13</sup> / <sub>16</sub>		
s1	9 <sup>9</sup> / <sub>16</sub>		
Type	A		
Volumen	1 <sup>1</sup> / <sub>256</sub>		
w	16 <sup>1</sup> / <sub>8</sub>		
x	3 <sup>7</sup> / <sub>8</sub>		

### Weight

<b>Total weight</b>	<b>87 kg</b>
---------------------	--------------

### Connections

Suction nozzle		Discharge nozzle	
DN 65		DN 50	
PN 16		PN 16	
EN1092-2		EN1092-2	
C	1 <sup>3</sup> / <sub>16</sub>	C	1 <sup>3</sup> / <sub>16</sub>
D	7 <sup>5</sup> / <sub>16</sub>	D	6 <sup>1</sup> / <sub>2</sub>
df	4 <sup>5</sup> / <sub>8</sub>	df	3 <sup>7</sup> / <sub>8</sub>
DN	2 <sup>9</sup> / <sub>16</sub>	DN	1 <sup>15</sup> / <sub>16</sub>
K	5 <sup>11</sup> / <sub>16</sub>	K	4 <sup>15</sup> / <sub>16</sub>
L	4 x 19	L	4 x 19

### Dimensions and weight without obligation

Project	Xylect-20178897
Block	NSCS50-200/300/L26UCS4

Created by  
Created on 1/10/2025

Last update 1/10/2025