

NSCS50-250/300/L26UCS4

Technical data

Company name
Contact
Phone number
e-mail address

Operating data				
1	Pumpe type	Single head pump	Fluid	Water, pure
2	No. of pumps	1	Operating temperature t A	°F 39.2
3	Nominal flow	US g.p.m. 0	Max / Min Operating Temperature mech. Seal	°F 120 / -25
4	Nominal head	ft 0	pH-value at t A	7
5	Static head	ft 0	Density at t A	lb/ft ³ 62.4
6	Inlet pressure	psi 0	Kin. viscosity at t A	ft ² /s 1.689E-5
7	Environmental temperature	°F 68	Vapor pressure at t A	psi 14.5
8	Available system NPSH	ft 0	Altitude	0

Pump data				
9	Lubrication	Standard, Grease lubrication [Std]		
10	Execution	2 poles motor		
11	Design	Horizontal		
12	Operating speed	3500 rpm	Stages	1
13	Suction nozzle	DN 65 / PN 16 / EN1092-2	Impeller Ø	Max. inch 9 1/8
14	Discharge nozzle	DN 50 / PN 16 / EN1092-2		designed inch 8 11/16
15	Max. casing pressure	psi	Flow	Min. inch 7 15/16
16	Max. working pressure	psi 138.2		Nominal US g.p.m.
17	Impeller type	Radial impeller		Max- US g.p.m. 440.3
18	Head H(Q=0)	ft 320	Head	Min- US g.p.m. 105.7
19	Max. shaft power	hp 40.6		Nominal ft
20	Pump weight	kg		at Qmax ft 247.6
21	Total weight	lb On demand	Shaft power	hp
			Efficiency	%
			NPSH 3%	ft
				at Qmin ft 317.6

Materials				
22		Pump	Shaft Seal	
23	Volute Casing	Cast Iron	Single mechanical seal, without shaft sleeve	
24	Casing Cover	Cast Iron	eMG12 - Ø28mm	BQ7EGG-WA
25	Impeller	Fabricated Stainless Steel	Mechanical seal diameter	1 1/8 inch
26	Shaft	Stainless steel	1. Rotating ring	Carbon graphite resin impregnated
27	Wear ring	Stainless steel	2. Stationary ring	SiC, silicon carbide, sintered press.less
28	Impeller lock nut and washer	Stainless steel	3. Secondary seal	Ethylene propylene rubber (EPDM)
29	Impeller key	Stainless steel	4. Springs	CrNiMo - Steel
30	Fill and drain plugs	Stainless steel	5. Others	EPDM - WRAS
31			Gaskets of the pump	Ethylene propylene rubber (EPDM)
32				
33				
34				
35				
36				
37				
38				
39				
40				
41				

Motor data				
Electrical and dimensional data refer to IE3 motor				
42	Manufacturer	Lowara		
43	Specific design	IE3 3ph Flange Motor - Premium Efficiency		
44	Type	3MAS 200 L B35 30 kW		
45	Rated power	40.231 hp	Rated current	54.7 A
46	Nominal speed	3552 rpm	Rated voltage	380 V
47	Frame size	200 L	Service factor	1
48	Weight	lb 469.1	Degree of protection	IP55

Remarks				
49				
50				
50				
52				

NSCS50-250/300/L26UCS4

Performance curve

Company name
Contact
Phone number
e-mail address

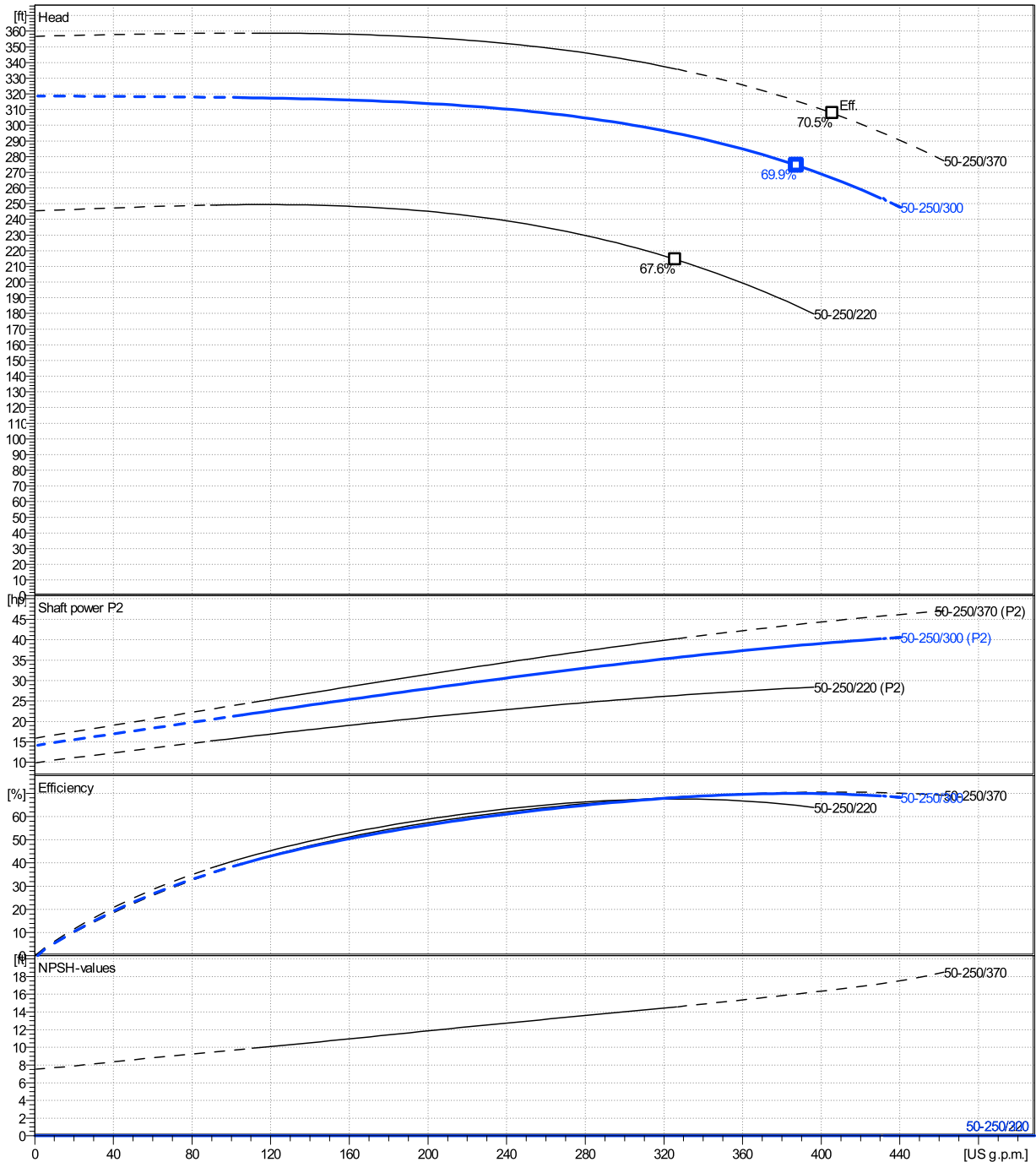
	Ø mm	Pump capacity			Pump head		Shaft power P2			Frequency	Hz	
		Operating range Min. US g.p.m.	Max. US g.p.m.	η Max. US g.p.m.	H(Q=0) ft	η Max. ft	P2(Q=0) hp	Max. hp	η Max. hp	Operating speed rpm		
actual	8 11/16	106	430	388	319	274		40.6	38.6	Nominal flow	US g.p.m.	0
Min.	0	/	/	326	245	214		/	26.3	Nominal head	ft	0
Max.	9 1/8	/	/	406	357	308		/	44.6	Inlet pressure	psi	0
										Static head	ft	0

Power datas referred to:

hydr. Performance acceptance acc. To EN ISO 9906 Class Grade 3B

Water, pure [100%] ; 39.2°F; 62.4lb/ft³; 1.69E-5ft²/s

MEI: N.A - according to Ecodesign Directive 2009/125/EC and Regulation (EU) No.547/2012



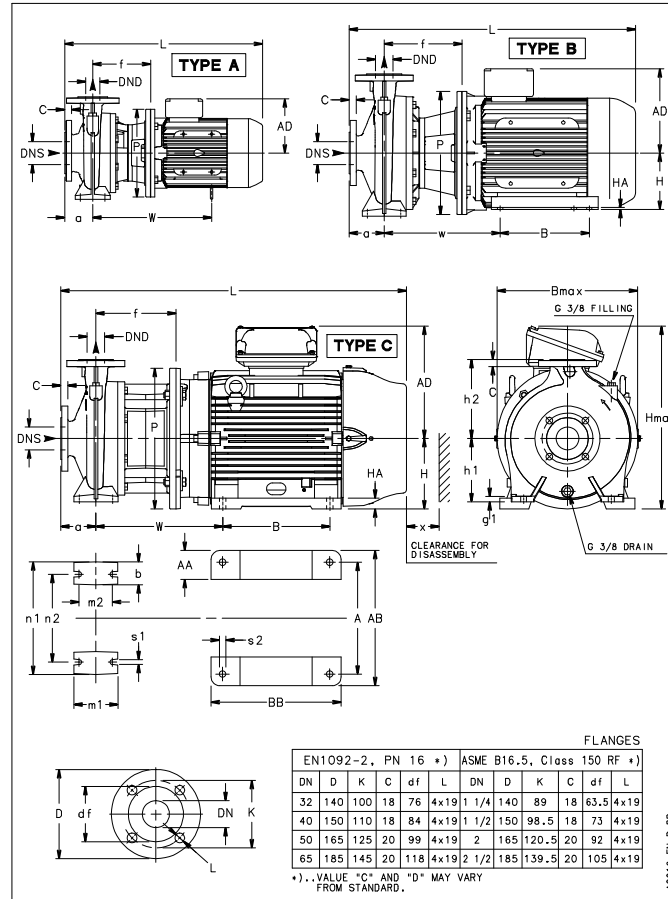
NSCS50-250/300/L26UCS4

Dimensions

Company name
Contact
Phone number
e-mail address

Blockpump B35
2 poles motor
3MAS 200 L B35 30 kW

Electrical and dimensional data refer to IE3 motor



Value C, D may vary from Standard

Dimensions [inch]

a	3 ¹⁵ / ₁₆		
AD	11 ¹³ / ₁₆		
b	2 ⁹ / ₁₆		
Bmax	16 ¹ / ₁₆		
DNd	1 ¹⁵ / ₁₆		
DNS	2 ⁹ / ₁₆		
f	9		
g1	5 ⁵ / ₈		
h1	7 ¹ / ₁₆		
h2	8 ⁷ / ₈		
Hmax	18 ⁷ / ₈		
m1	4 ¹⁵ / ₁₆		
m2	3 ³ / ₄		
n1	12 ⁵ / ₈		
n2	9 ¹³ / ₁₆		
P	15 ³ / ₄		
s1	9 ⁹ / ₁₆		
Type	C		
w	14 ³ / ₁₆		
x	4 ⁵ / ₁₆		

Weight

Total weight	On demand kg
--------------	--------------

Connections

Suction nozzle		Discharge nozzle	
DN 65		DN 50	
PN 16		PN 16	
EN1092-2		EN1092-2	
C	1 ³ / ₁₆	C	1 ³ / ₁₆
D	7 ⁵ / ₁₆	D	6 ¹ / ₂
df	4 ⁵ / ₈	df	3 ⁷ / ₈
DN	2 ⁹ / ₁₆	DN	1 ¹⁵ / ₁₆
K	5 ¹¹ / ₁₆	K	4 ¹⁵ / ₁₆
L	4 x 19	L	4 x 19

Dimensions and weight without obligation

Project	Xylect-20178266
Block	NSCS50-250/370/L26UCS4

Created by
Created on 1/10/2025

Last update 1/10/2025