

NSCS50-250/40/P46PCS4

Technical data

Company name
Contact
Phone number
e-mail address

| Operating data | | | | | | |
|----------------|---------------------------|------------------|----|--|--------------------|-----------|
| 1 | Pumpe type | Single head pump | | Fluid | Water, pure | |
| 2 | No. of pumps | 1 | | Operating temperature t A | °F | 39.2 |
| 3 | Nominal flow | US g.p.m. | 0 | Max / Min Operating Temperature mech. Seal | °F | 120 / -25 |
| 4 | Nominal head | ft | 0 | pH-value at t A | | 7 |
| 5 | Static head | ft | 0 | Density at t A | lb/ft ³ | 62.4 |
| 6 | Inlet pressure | psi | 0 | Kin. viscosity at t A | ft ² /s | 1.689E-5 |
| 7 | Environmental temperature | °F | 68 | Vapor pressure at t A | psi | 14.5 |
| 8 | Available system NPSH | ft | 0 | Altitude | | 0 |

| Pump data | | | | | | | |
|-----------|-----------------------|------------------------------------|--------|-------------|------|------------|---------|
| 9 | Lubrication | Standard, Grease lubrication [Std] | | | | | |
| 10 | Execution | 4 poles motor | | | | | |
| 11 | Design | Horizontal | | | | Impeller Ø | |
| 12 | Operating speed | 1750 rpm | Stages | 1 | | | |
| 13 | Suction nozzle | DN 65 | / | PN 16 | / | EN1092-2 | |
| 14 | Discharge nozzle | DN 50 | / | PN 16 | / | EN1092-2 | |
| 15 | Max. casing pressure | psi | | Flow | Max- | US g.p.m. | |
| 16 | Max. working pressure | psi | 34 | | Min- | US g.p.m. | 57.2 |
| 17 | Impeller type | Radial impeller | | | | Head | |
| 18 | Head H(Q=0) | ft | 78 | | | | Nominal |
| 19 | Max. shaft power | hp | 5.2 | | | | at Qmax |
| 20 | Pump weight | kg | | Shaft power | hp | 40 | |
| 21 | Total weight | lb | 227.1 | | | at Qmin | |
| | | | | Efficiency | % | 78.5 | |
| | | | | NPSH 3% | ft | | |

| Materials | | | | | | |
|-----------|------------------------------|----------------------------|--|--|--|---|
| 22 | | Pump | | | Shaft Seal | |
| 23 | Volute Casing | Cast Iron | | | Single mechanical seal, without shaft sleeve | |
| 24 | Casing Cover | Cast Iron | | | eMG12 - Ø28mm | BQ7EGG-WA |
| 25 | Impeller | Fabricated Stainless Steel | | | Mechanical seal diameter | 1 1/8 inch |
| 26 | Shaft | Stainless steel | | | 1. Rotating ring | Carbon graphite resin impregnated |
| 27 | Wear ring | Stainless steel | | | 2. Stationary ring | SiC, silicon carbide, sintered press.less |
| 28 | Impeller lock nut and washer | Stainless steel | | | 3. Secondary seal | Ethylene propylene rubber (EPDM) |
| 29 | Impeller key | Stainless steel | | | 4. Springs | CrNiMo - Steel |
| 30 | Fill and drain plugs | Stainless steel | | | 5. Others | EPDM - WRAS |
| 31 | | | | | Gaskets of the pump | Ethylene propylene rubber (EPDM) |
| 32 | | | | | | |
| 33 | | | | | | |
| 34 | | | | | | |
| 35 | | | | | | |
| 36 | | | | | | |
| 37 | | | | | | |
| 38 | | | | | | |
| 39 | | | | | | |
| 40 | | | | | | |
| 41 | | | | | | |

| Motor data | | | | | |
|--|-----------------|---|----------------------|--------|--|
| Electrical and dimensional data refer to IE3 motor | | | | | |
| 42 | Manufacturer | Lowara | | | |
| 43 | Specific design | IE3 3ph Flange Motor - Premium Efficiency | | | |
| 44 | Type | PLM 112 B5 4 kW | | | |
| 45 | Rated power | 5.3641 hp | Rated current | 8.52 A | |
| 46 | Nominal speed | 1740 rpm | Rated voltage | 380 V | |
| 47 | Frame size | 112 | Service factor | 1 | |
| 48 | Weight | lb 126.1 | Degree of protection | IP55 | |

| Remarks | | | | | |
|---------|--|--|--|--|--|
| 49 | | | | | |
| 50 | | | | | |
| 50 | | | | | |
| 52 | | | | | |

NSCS50-250/40/P46PCS4

Performance curve

Company name
Contact
Phone number
e-mail address

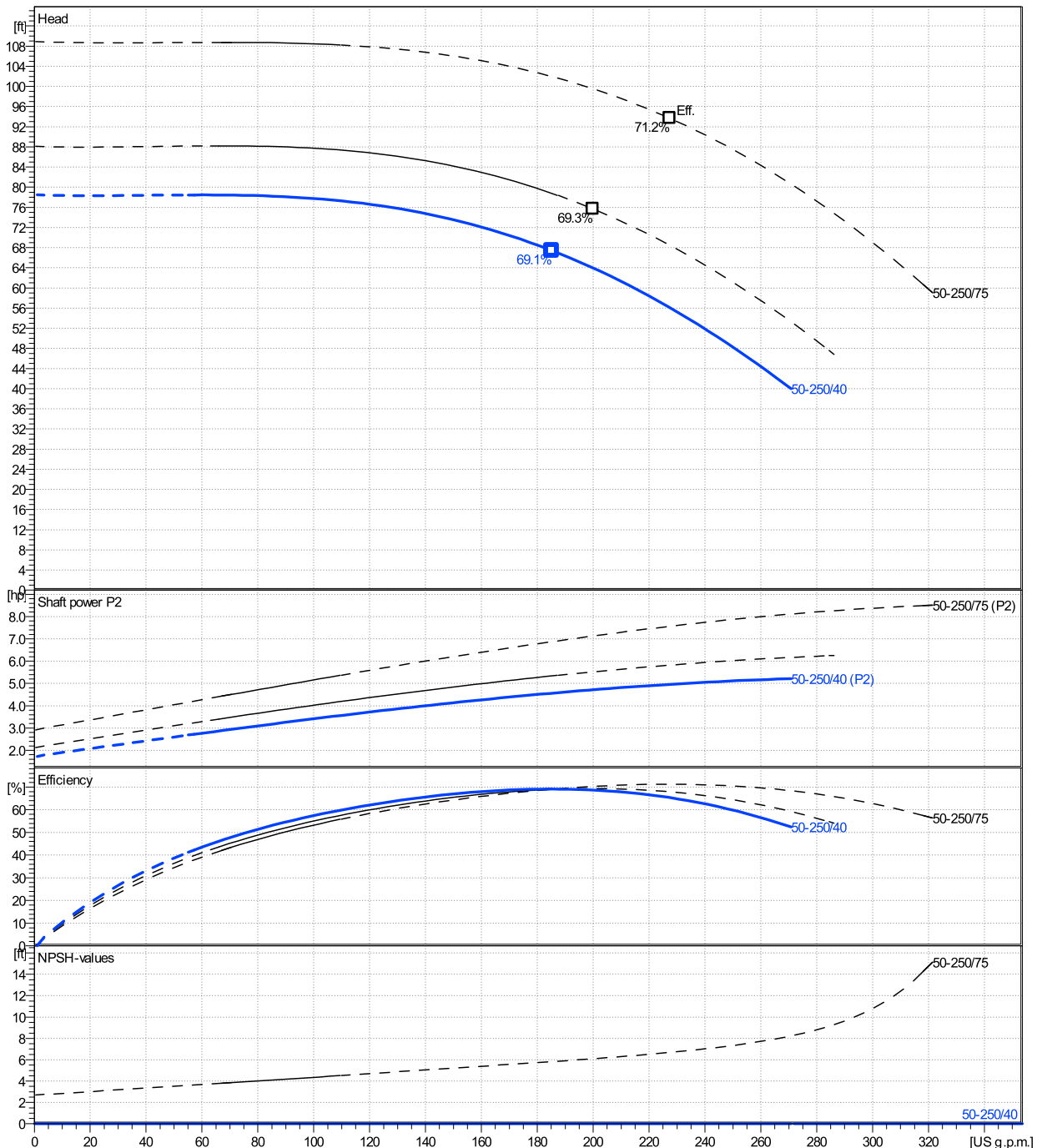
| | Ø mm | Pump capacity | | | Pump head | | Shaft power P2 | | | Frequency | Hz | |
|--------|---------|--------------------------------------|-------------------|------------------------|--------------|-----------------|----------------|------------|-----------------|-----------------|-----------|---|
| | | Operating range Min. US g.p.m. | Max. US g.p.m. | η Max. US g.p.m. | H(Q=0) ft | η Max. ft | P2(Q=0) hp | Max. hp | η Max. hp | Operating speed | rpm | |
| actual | 8 11/16 | 57.2 | 271 | 185 | 78.5 | 67.4 | | 5.21 | 4.56 | Nominal flow | US g.p.m. | 0 |
| Min. | 0 | / | / | 185 | 78.5 | 67.4 | | / | 4.56 | Nominal head | ft | 0 |
| Max. | 10 1/16 | / | / | 227 | 109 | 93.7 | | / | 7.56 | Inlet pressure | psi | 0 |
| | | | | | | | | | | Static head | ft | 0 |

Power datas referred to:

hydr. Performance acceptance acc. To EN ISO 9906 Class Grade 3B

Water, pure [100%] ; 39.2°F; 62.4lb/ft³; 1.69E-5ft²/s

MEI: N.A - according to Ecodesign Directive 2009/125/EC and Regulation (EU) No.547/2012



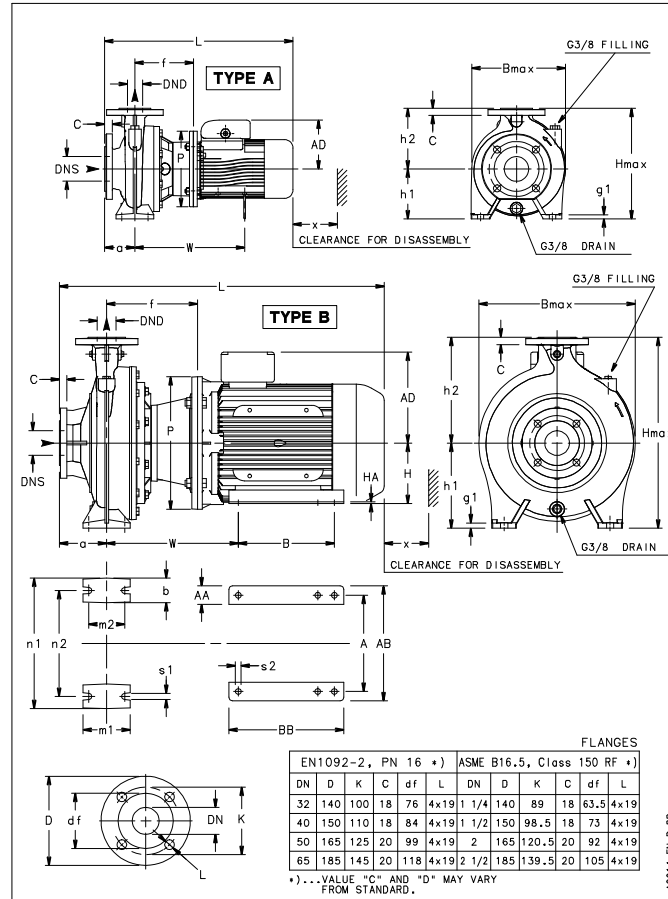
NSCS50-250/40/P46PCS4

Dimensions

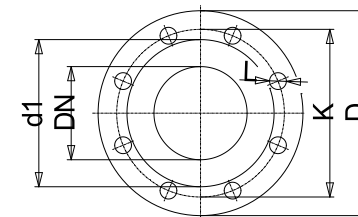
Company name
Contact
Phone number
e-mail address

Blockpump
4 poles motor
PLM 112 B5 4 kW

Electrical and dimensional data refer to IE3 motor



A0014-ENL_BD



Value C, D may vary from Standard

Dimensions [inch]

| | | | |
|---------|----------------------------------|--|--|
| a | 3 ¹⁵ / ₁₆ | | |
| AD | 6 ⁵ / ₈ | | |
| b | 2 ⁹ / ₁₆ | | |
| Bmax | 14 ¹ / ₈ | | |
| DNd | 1 ¹⁵ / ₁₆ | | |
| DNs | 2 ⁹ / ₁₆ | | |
| f | 6 ¹ / ₂ | | |
| g1 | 5 ⁵ / ₈ | | |
| h1 | 7 ¹ / ₁₆ | | |
| h2 | 8 ⁷ / ₈ | | |
| Hmax | 15 ¹⁵ / ₁₆ | | |
| L | 25 ¹ / ₂ | | |
| m1 | 4 ¹⁵ / ₁₆ | | |
| m2 | 3 ³ / ₄ | | |
| n1 | 12 ⁵ / ₈ | | |
| n2 | 9 ¹³ / ₁₆ | | |
| P | 9 ¹³ / ₁₆ | | |
| s1 | 9 ⁹ / ₁₆ | | |
| Type | A | | |
| Volumen | 1 ¹ / ₂₅₆ | | |
| w | 16 ¹ / ₈ | | |
| x | 4 ⁵ / ₁₆ | | |

Weight

| | |
|---------------------|---------------|
| Total weight | 103 kg |
|---------------------|---------------|

Connections

| Suction nozzle | | Discharge nozzle | |
|----------------|---------------------------------|------------------|---------------------------------|
| DN 65 | | DN 50 | |
| PN 16 | | PN 16 | |
| EN1092-2 | | EN1092-2 | |
| C | 1 ³ / ₁₆ | C | 1 ³ / ₁₆ |
| D | 7 ⁵ / ₁₆ | D | 6 ¹ / ₂ |
| df | 4 ⁵ / ₈ | df | 3 ⁷ / ₈ |
| DN | 2 ⁹ / ₁₆ | DN | 1 ¹⁵ / ₁₆ |
| K | 5 ¹¹ / ₁₆ | K | 4 ¹⁵ / ₁₆ |
| L | 4 x 19 | L | 4 x 19 |

Dimensions and weight without obligation

| | |
|---------|------------------------|
| Project | Xylect-20178266 |
| Block | NSCS50-250/370/L26UCS4 |

Created by
Created on 1/10/2025

Last update 1/10/2025