

NSCS65-125/11/P46PCC4

Technical data

Company name
Contact
Phone number
e-mail address

Operating data				
1	Pumpe type	Single head pump	Fluid	Water, pure
2	No. of pumps	1	Operating temperature at t A	°F 39.2
3	Nominal flow	US g.p.m. 0	Max / Min Operating Temperature mech. Seal	°F 120 / -25
4	Nominal head	ft 0	pH-value at t A	7
5	Static head	ft 0	Density at t A	lb/ft ³ 62.4
6	Inlet pressure	psi 0	Kin. viscosity at t A	ft ² /s 1.689E-5
7	Environmental temperature	°F 68	Vapor pressure at t A	psi 14.5
8	Available system NPSH	ft 0	Altitude	0

Pump data				
9	Lubrication	Standard, Grease lubrication [Std]		
10	Execution	4 poles motor		
11	Design	Horizontal		
12	Operating speed	1750 rpm	Stages	1
13	Suction nozzle	DN 80 / PN 16 / EN1092-2	Impeller Ø	Max. inch 5 13/16
14	Discharge nozzle	DN 65 / PN 16 / EN1092-2		designed inch 4 7/8
15	Max. casing pressure	psi	Flow	Min. inch 4 7/16
16	Max. working pressure	psi 9.5		Nominal US g.p.m.
17	Impeller type	Radial impeller		Max- US g.p.m. 339
18	Head H(Q=0)	ft 22	Head	Min- US g.p.m. 73.5
19	Max. shaft power	hp 1.5		Nominal ft
20	Pump weight	kg		at Qmax ft 11.4
21	Total weight	lb 121.3	Shaft power	at Qmin ft 22
			Efficiency	hp
			NPSH 3%	%

Materials				
22		Pump	Shaft Seal	
23	Volute Casing	Cast Iron	Single mechanical seal, without shaft sleeve	
24	Casing Cover	Cast Iron	eMG12 - Ø22mm	BQ7EGG-WA
25	Impeller	Cast Iron	Mechanical seal diameter	7/8 inch
26	Shaft	Stainless steel	1. Rotating ring	Carbon graphite resin impregnated
27	Wear ring	Stainless steel	2. Stationary ring	SiC, silicon carbide, sintered press.less
28	Impeller lock nut and washer	Stainless steel	3. Secondary seal	Ethylene propylene rubber (EPDM)
29	Impeller key	Stainless steel	4. Springs	CrNiMo - Steel
30	Fill and drain plugs	Stainless steel	5. Others	EPDM - WRAS
31			Gaskets of the pump	Ethylene propylene rubber (EPDM)
32				
33				
34				
35				
36				
37				
38				
39				
40				
41				

Motor data				
Electrical and dimensional data refer to IE3 motor				
42	Manufacturer	Lowara		
43	Specific design	IE3 3ph Flange Motor - Premium Efficiency		
44	Type	PLM 90 B5 1,1 kW		
45	Rated power	1.4751 hp	Rated current	4.61 A
46	Nominal speed	1740 rpm	Rated voltage	220 V
47	Frame size	90	Service factor	1
48	Weight	lb 42.8	Degree of protection	IP55

Remarks				
49				
50				
50				
52				

NSCS65-125/11/P46PCC4

Performance curve

Company name
Contact
Phone number
e-mail address

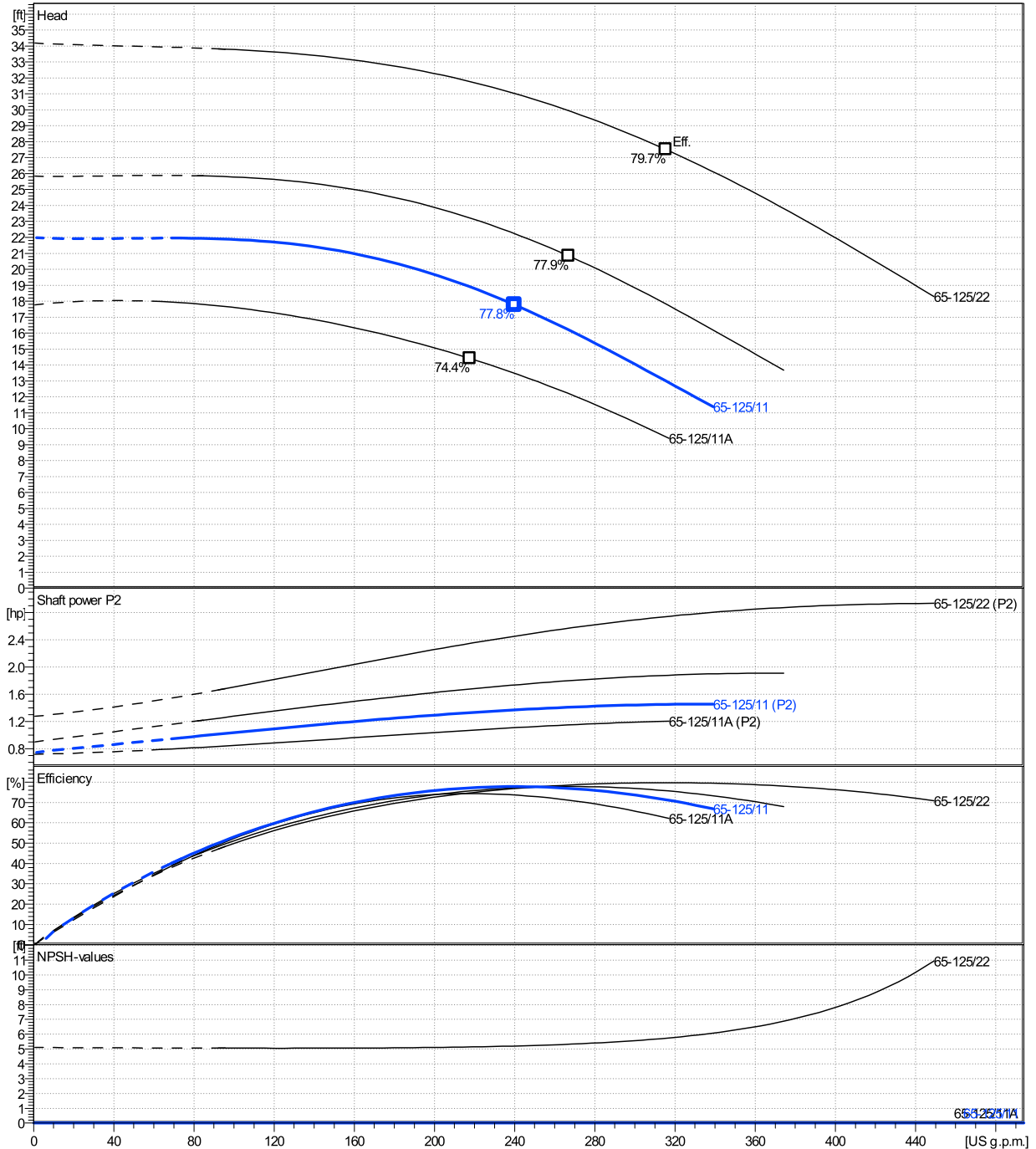
	Ø mm	Pump capacity Operating range η			Pump head H(Q=0) η		Shaft power P2 P2(Q=0) η			Frequency	Hz	60
		Min. US g.p.m.	Max. US g.p.m.	Max. US g.p.m.	H(Q=0) ft	η ft	Max. hp	η hp	Max. hp	Operating speed	rpm	1750
actual	4 7/8	73.5	339	240	22	17.8	1.46	1.37	Nominal flow	US g.p.m.	0	
Min.	0	/	/	218	17.8	14.4	/	1.07	Nominal head	ft	0	
Max.	5 13/16	/	/	315	34.2	27.5	/	2.74	Inlet pressure	psi	0	
									Static head	ft	0	

Power datas referred to:

hydr. Performance acceptance acc. To EN ISO 9906 Class Grade 3B

Water, pure [100%] ; 39.2°F; 62.4lb/ft³; 1.69E-5ft²/s

MEI: N.A - according to Ecodesign Directive 2009/125/EC and Regulation (EU) No.547/2012



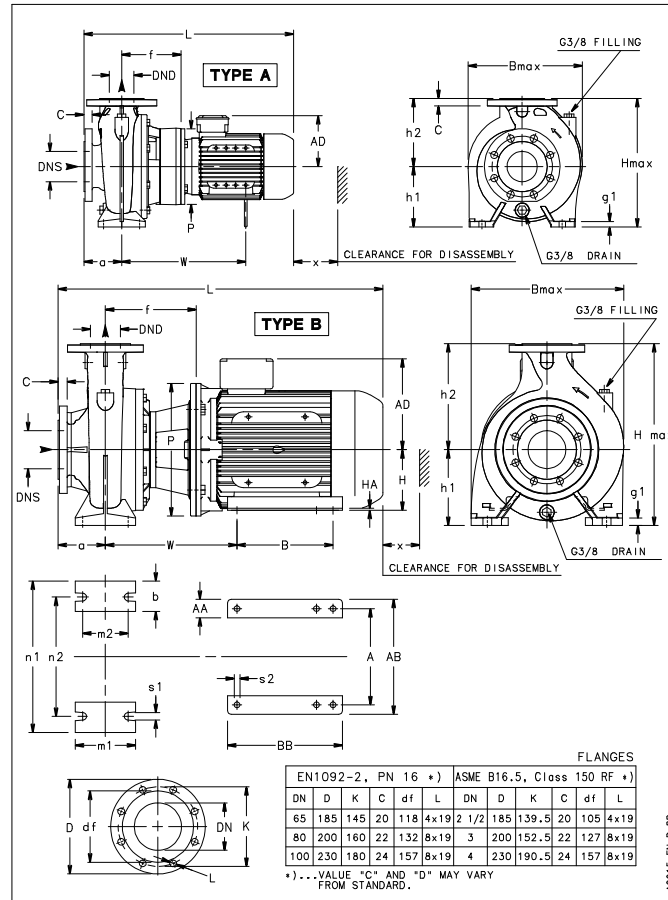
NSCS65-125/11/P46PCC4

Dimensions

Company name
Contact
Phone number
e-mail address

Blockpump
4 poles motor
PLM 90 B5 1,1 kW

Electrical and dimensional data refer to IE3 motor



Dimensions		[inch]
a	3 ¹⁵ / ₁₆	
AD	9 ⁷ / ₁₆	
b	2 ⁹ / ₁₆	
Bmax	11 ¹³ / ₁₆	
DNd	2 ⁹ / ₁₆	
DNs	3 ³ / ₈	
f	6 ³ / ₁₆	
g1	5 ⁹ / ₈	
h1	6 ⁵ / ₁₆	
h2	7 ¹ / ₁₆	
Hmax	15 ³ / ₄	
L	21 ⁷ / ₈	
m1	4 ¹⁵ / ₁₆	
m2	3 ³ / ₄	
n1	11 ¹ / ₃₂	
n2	8 ³ / ₈	
P	7 ⁷ / ₈	
s1	9 ⁹ / ₁₆	
Type	A	
Volumen	1 ¹ / ₂₅₆	
w	11 ⁷ / ₈	
x	3 ¹⁵ / ₁₆	

Weight	
Total weight	55 kg

Connections			
Suction nozzle		Discharge nozzle	
DN 80		DN 65	
PN 16		PN 16	
EN1092-2		EN1092-2	
C	7 ⁷ / ₈	C	13 ¹ / ₁₆
D	7 ⁷ / ₈	D	7 ⁵ / ₁₆
df	5 ³ / ₁₆	df	4 ⁵ / ₈
DN	3 ³ / ₈	DN	2 ⁹ / ₁₆
K	6 ⁵ / ₁₆	K	5 ¹¹ / ₁₆
L	8 x 19	L	4 x 19

Dimensions and weight without obligation

Project	Xylect-20178897
Block	NSCS65-125/110/P26PCC4

Created by
Created on 1/10/2025

Last update 1/10/2025