

NSCS65-125/15/P46PCC4

Technical data

Company name
Contact
Phone number
e-mail address

Operating data					
1	Pumpe type	Single head pump		Fluid	Water, pure
2	No. of pumps	1		Operating temperature t A	°F 39.2
3	Nominal flow	US g.p.m.	0	Max / Min Operating Temperature mech. Seal	°F 120 / -25
4	Nominal head	ft	0	pH-value at t A	7
5	Static head	ft	0	Density at t A	lb/ft ³ 62.4
6	Inlet pressure	psi	0	Kin. viscosity at t A	ft ² /s 1.689E-5
7	Environmental temperature	°F	68	Vapor pressure at t A	psi 14.5
8	Available system NPSH	ft	0	Altitude	0

Pump data					
9	Lubrication	Standard, Grease lubrication [Std]			
10	Execution	4 poles motor			
11	Design	Horizontal			
12	Operating speed	1750 rpm	Stages	1	
13	Suction nozzle	DN 80 /	PN 16 /	EN1092-2	
14	Discharge nozzle	DN 65 /	PN 16 /	EN1092-2	
15	Max. casing pressure	psi		Impeller Ø	Max. inch 5 13/16
16	Max. working pressure	psi	11.2		designed inch 5 3/16
17	Impeller type	Radial impeller			Min. inch 4 7/16
18	Head H(Q=0)	ft	26	Flow	Nominal US g.p.m.
19	Max. shaft power	hp	1.9		Max- US g.p.m. 374.2
20	Pump weight	kg			Min- US g.p.m. 84.5
21	Total weight	lb	127.9	Head	Nominal ft
					at Qmax ft 13.7
				at Qmin ft 25.9	
				Shaft power	hp
				Efficiency	%
				NPSH 3%	ft

Materials					
22		Pump		Shaft Seal	
23	Volute Casing	Cast Iron		Single mechanical seal, without shaft sleeve	
24	Casing Cover	Cast Iron		eMG12 - Ø22mm	BQ7EGG-WA
25	Impeller	Cast Iron		Mechanical seal diameter	7/8 inch
26	Shaft	Stainless steel		1. Rotating ring	Carbon graphite resin impregnated
27	Wear ring	Stainless steel		2. Stationary ring	SiC, silicon carbide, sintered press.less
28	Impeller lock nut and washer	Stainless steel		3. Secondary seal	Ethylene propylene rubber (EPDM)
29	Impeller key	Stainless steel		4. Springs	CrNiMo - Steel
30	Fill and drain plugs	Stainless steel		5. Others	EPDM - WRAS
31				Gaskets of the pump	Ethylene propylene rubber (EPDM)
32					
33					
34					
35					
36					
37					
38					
39					
40					
41					

Motor data					
Electrical and dimensional data refer to IE3 motor					
42	Manufacturer	Lowara			
43	Specific design	IE3 3ph Flange Motor - Premium Efficiency			
44	Type	PLM 90 B5 1,5 kW			
45	Rated power	2.0115 hp	Rated current	6.34 A	
46	Nominal speed	1734 rpm	Rated voltage	220 V	
47	Frame size	90	Service factor	1	
48	Weight	lb 49.8	Degree of protection	IP55	

Remarks					
49					
50					
50					
52					

Project	Xylect-2017897	Created by		Last update	1/10/2025
Block	NSCS65-125/110/P26PCC4	Created on	1/10/2025		

NSCS65-125/15/P46PCC4

Performance curve

Company name
Contact
Phone number
e-mail address

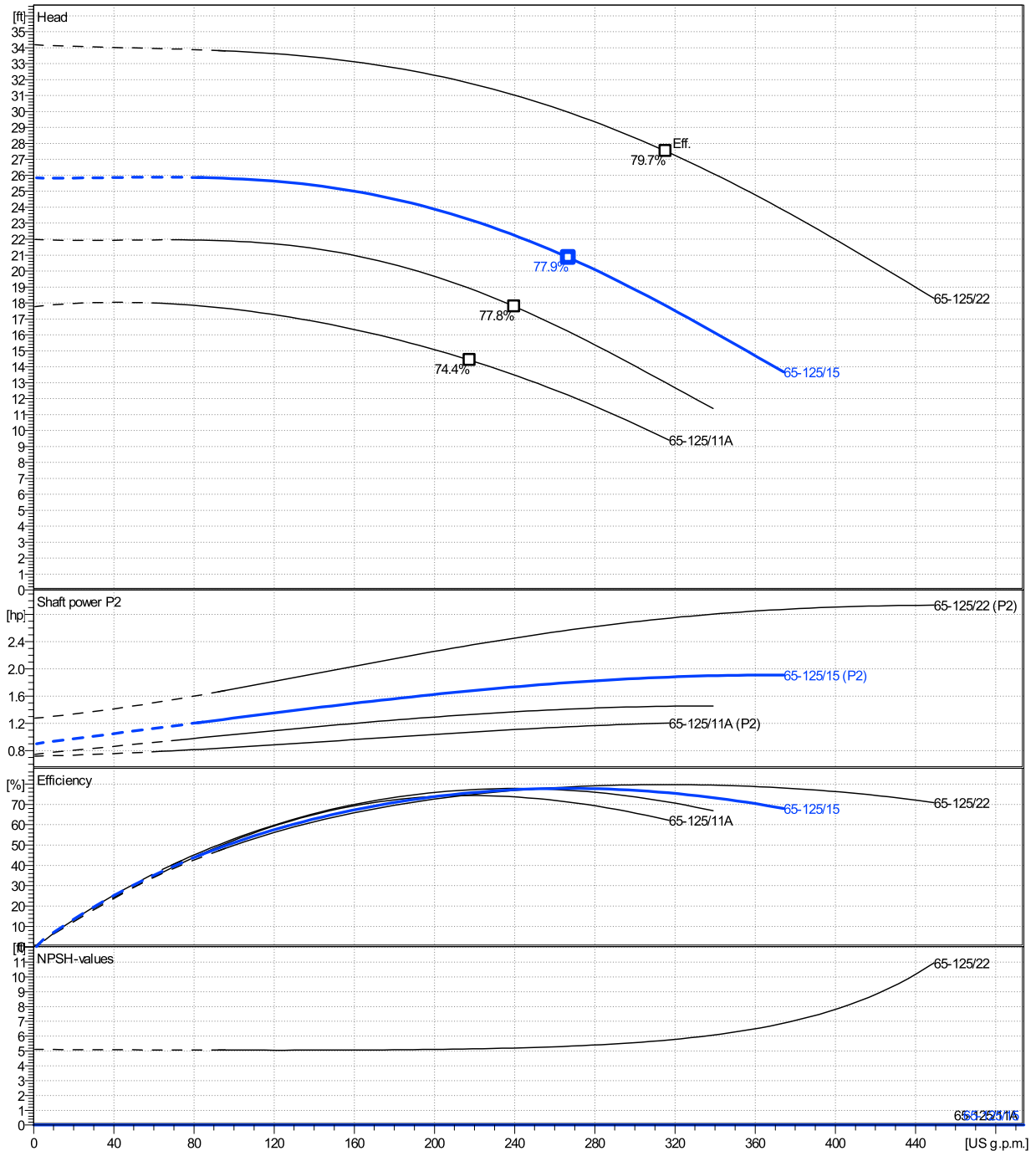
	Ø mm	Pump capacity Operating range η			Pump head H(Q=0) η		Shaft power P2 P2(Q=0) η			Frequency Hz		60
		Min. US g.p.m.	Max. US g.p.m.	Max. US g.p.m.	ft	ft	hp	Max. hp	η hp	Operating speed rpm	1750	
actual	5 3/16	84.5	374	267	25.8	20.8		1.91	1.8	Nominal flow	US g.p.m.	0
Min.	0	/	/	218	17.8	14.4		/	1.07	Nominal head	ft	0
Max.	5 13/16	/	/	315	34.2	27.5		/	2.74	Inlet pressure	psi	0
										Static head	ft	0

Power datas referred to:

hydr. Performance acceptance acc. To EN ISO 9906 Class Grade 3B

Water, pure [100%] ; 39.2°F; 62.4lb/ft³; 1.69E-5ft²/s

MEI: N.A - according to Ecodesign Directive 2009/125/EC and Regulation (EU) No.547/2012



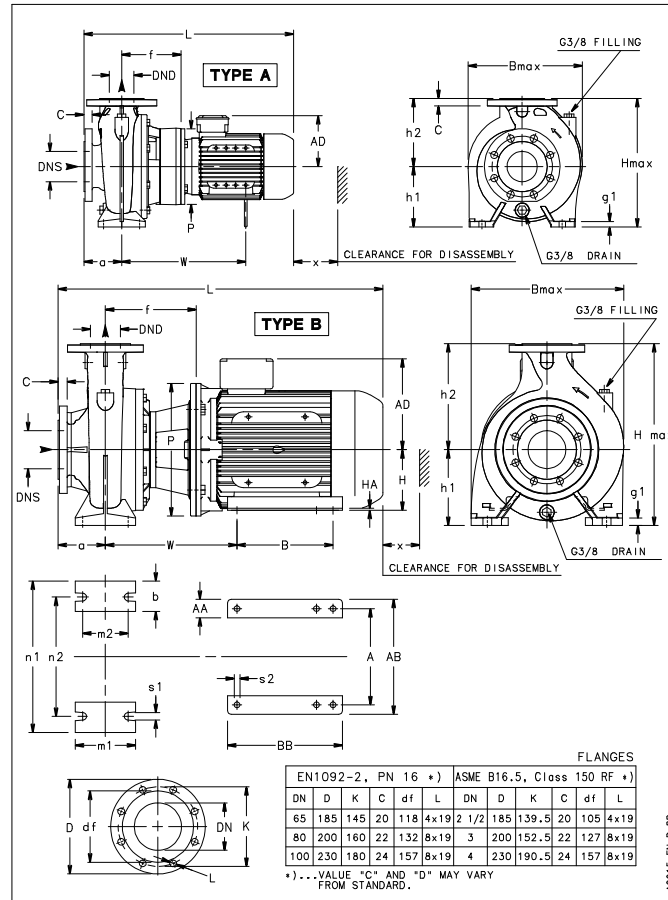
NSCS65-125/15/P46PCC4

Dimensions

Company name
Contact
Phone number
e-mail address

Blockpump
4 poles motor
PLM 90 B5 1,5 kW

Electrical and dimensional data refer to IE3 motor



Dimensions		[inch]
a	3 ¹⁵ / ₁₆	
AD	9 ⁷ / ₁₆	
b	2 ⁹ / ₁₆	
Bmax	11 ¹³ / ₁₆	
DNd	2 ⁹ / ₁₆	
DNs	3 ³ / ₈	
f	6 ³ / ₁₆	
g1	5 ⁹ / ₈	
h1	6 ⁵ / ₁₆	
h2	7 ¹ / ₁₆	
Hmax	15 ³ / ₄	
L	21 ⁷ / ₈	
m1	4 ¹⁵ / ₁₆	
m2	3 ³ / ₄	
n1	11 ¹ / ₃₂	
n2	8 ³ / ₈	
P	7 ⁷ / ₈	
s1	9 ⁹ / ₁₆	
Type	A	
Volumen	1 ¹ / ₂₅₆	
w	11 ⁷ / ₈	
x	3 ¹⁵ / ₁₆	

Weight	
Total weight	58 kg

Connections			
Suction nozzle	Discharge nozzle		
DN 80	DN 65		
PN 16	PN 16		
EN1092-2	EN1092-2		
C	7 ⁷ / ₈	C	13 ¹³ / ₁₆
D	7 ⁷ / ₈	D	7 ⁵ / ₁₆
df	5 ³ / ₁₆	df	4 ⁵ / ₈
DN	3 ³ / ₈	DN	2 ⁹ / ₁₆
K	6 ⁵ / ₁₆	K	5 ¹¹ / ₁₆
L	8 x 19	L	4 x 19

Dimensions and weight without obligation

Project	Xylect-20178897
Block	NSCS65-125/110/P26PCC4

Created by
Created on 1/10/2025

Last update 1/10/2025