

NSCS65-200/30/P46PCC4

Technical data

Company name
Contact
Phone number
e-mail address

Operating data						
1	Pumpe type	Single head pump		Fluid	Water, pure	
2	No. of pumps	1		Operating temperature t A	°F	39.2
3	Nominal flow	US g.p.m.	0	Max / Min Operating Temperature mech. Seal	°F	120 / -25
4	Nominal head	ft	0	pH-value at t A		7
5	Static head	ft	0	Density at t A	lb/ft ³	62.4
6	Inlet pressure	psi	0	Kin. viscosity at t A	ft ² /s	1.689E-5
7	Environmental temperature	°F	68	Vapor pressure at t A	psi	14.5
8	Available system NPSH	ft	0	Altitude		0

Pump data						
9	Lubrication	Standard, Grease lubrication [Std]				
10	Execution	4 poles motor				
11	Design	Horizontal				Impeller Ø
12	Operating speed	1750 rpm	Stages	1		
13	Suction nozzle	DN 80	/	PN 16	/	EN1092-2
14	Discharge nozzle	DN 65	/	PN 16	/	EN1092-2
15	Max. casing pressure	psi				Flow
16	Max. working pressure	psi	20.7			
17	Impeller type	Radial impeller				Head
18	Head H(Q=0)	ft	48			
19	Max. shaft power	hp	3.8			
20	Pump weight	kg				Shaft power
21	Total weight	lb	172.0			
						Efficiency
						NPSH 3%

Materials						
22		Pump			Shaft Seal	
23	Volute Casing	Cast Iron			Single mechanical seal, without shaft sleeve	
24	Casing Cover	Cast Iron			eMG12 - Ø28mm	BQ7EGG-WA
25	Impeller	Cast Iron			Mechanical seal diameter	1 1/8 inch
26	Shaft	Stainless steel			1. Rotating ring	Carbon graphite resin impregnated
27	Wear ring	Stainless steel			2. Stationary ring	SiC, silicon carbide, sintered press.less
28	Impeller lock nut and washer	Stainless steel			3. Secondary seal	Ethylene propylene rubber (EPDM)
29	Impeller key	Stainless steel			4. Springs	CrNiMo - Steel
30	Fill and drain plugs	Stainless steel			5. Others	EPDM - WRAS
31					Gaskets of the pump	Ethylene propylene rubber (EPDM)
32						
33						
34						
35						
36						
37						
38						
39						
40						
41						

Motor data					
Electrical and dimensional data refer to IE3 motor					
42	Manufacturer	Lowara			
43	Specific design	IE3 3ph Flange Motor - Premium Efficiency			
44	Type	PLM 100 B5 3 kW			
45	Rated power	4.0231 hp	Rated current	6.66 A	
46	Nominal speed	1746 rpm	Rated voltage	380 V	
47	Frame size	100	Service factor	1	
48	Weight	lb 78.0	Degree of protection	IP55	

Remarks					
49					
50					
50					
52					

NSCS65-200/30/P46PCC4

Performance curve

Company name
Contact
Phone number
e-mail address

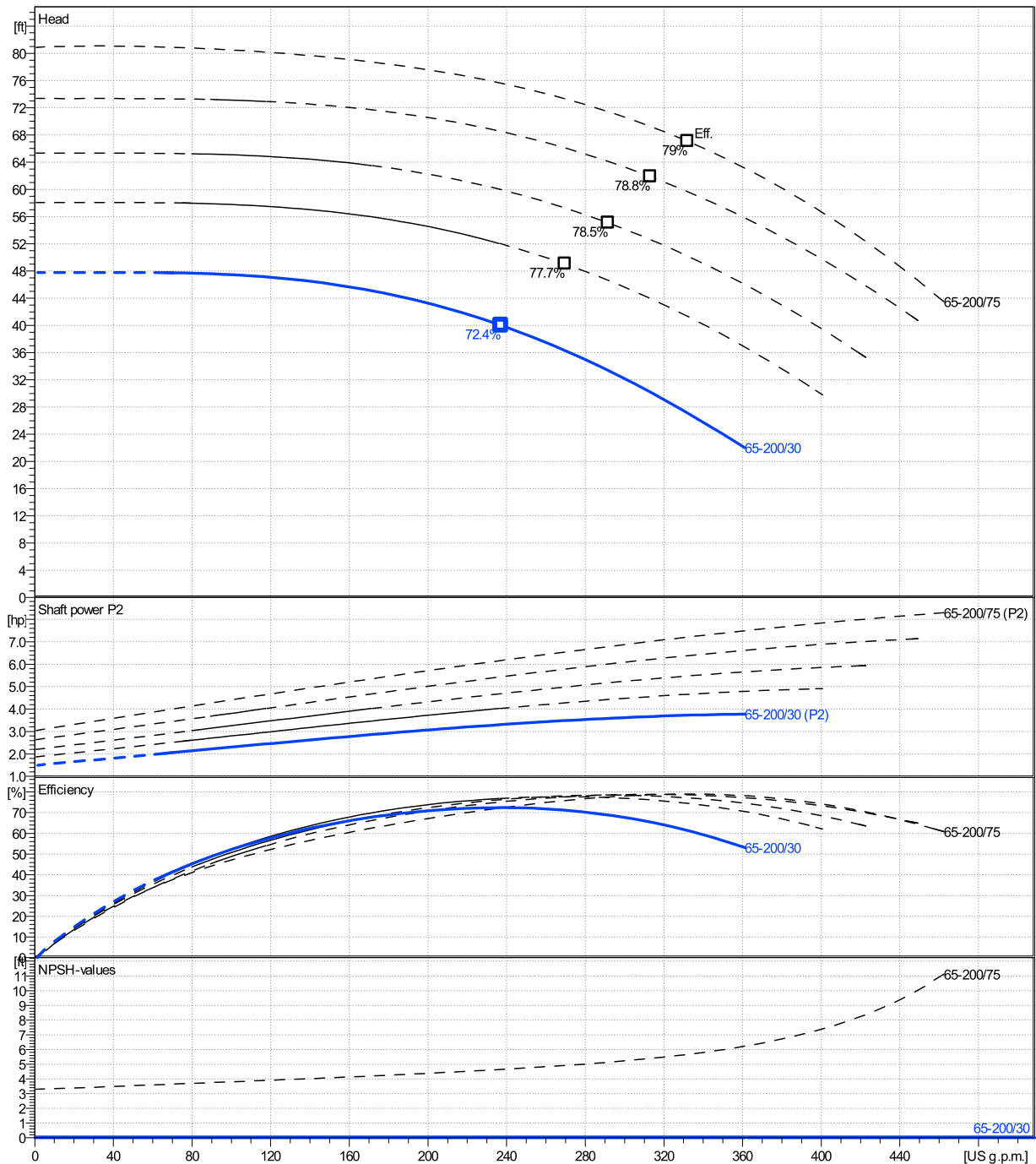
	Ø mm	Pump capacity Operating range η			Pump head H(Q=0) η		Shaft power P2 P2(Q=0) η			Frequency	Hz	
		Min. US g.p.m.	Max. US g.p.m.	Max. US g.p.m.	H(Q=0) ft	η ft	P2(Q=0) hp	Max. hp	η hp	Operating speed	rpm	
actual	6 13/16	70.4	361	237	47.8	40	3.78	3.31	Nominal flow	US g.p.m.	0	
Min.	0	/	/	237	47.8	40	/	3.31	Nominal head	ft	0	
Max.	8 11/16	/	/	332	80.9	67.1	/	7.21	Inlet pressure	psi	0	
									Static head	ft	0	

Power datas referred to:

hydr. Performance acceptance acc. To EN ISO 9906 Class Grade 3B

Water, pure [100%] ; 39.2°F; 62.4lb/ft³; 1.69E-5ft²/s

MEI: N.A - according to Ecodesign Directive 2009/125/EC and Regulation (EU) No.547/2012



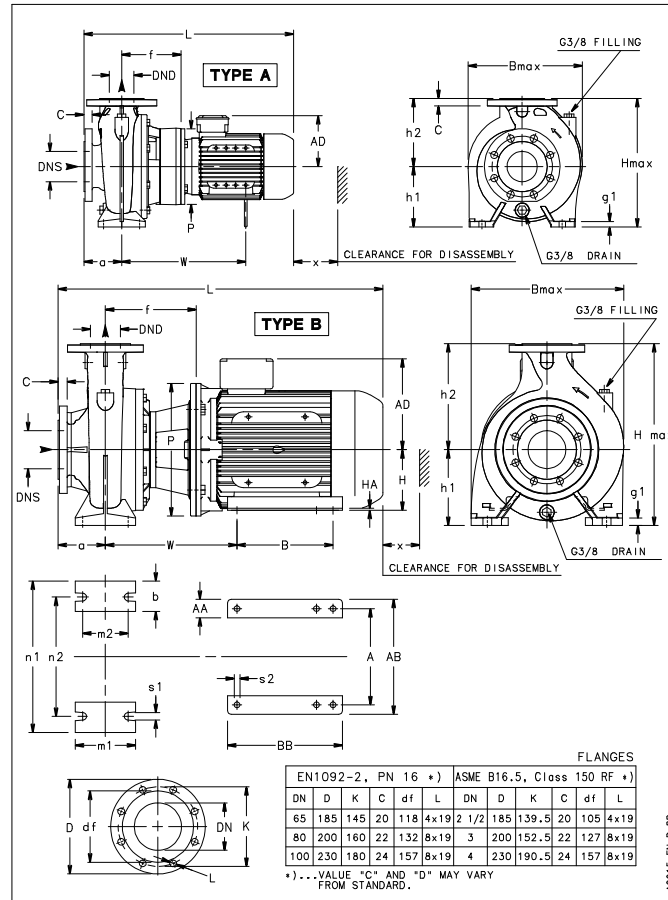
NSCS65-200/30/P46PCC4

Dimensions

Company name
Contact
Phone number
e-mail address

Blockpump
4 poles motor
PLM 100 B5 3 kW

Electrical and dimensional data refer to IE3 motor



Dimensions		[inch]
a	3 ¹⁵ / ₁₆	
AD	6 ⁵ / ₈	
b	2 ⁹ / ₁₆	
Bmax	13 ¹¹ / ₁₆	
DNd	2 ⁹ / ₁₆	
DNS	3 ¹ / ₈	
f	6 ¹ / ₂	
g1	5 ⁵ / ₈	
h1	7 ¹ / ₁₆	
h2	8 ⁷ / ₈	
Hmax	15 ¹⁵ / ₁₆	
L	24 ⁵ / ₁₆	
m1	4 ¹⁵ / ₁₆	
m2	3 ³ / ₄	
n1	12 ⁵ / ₈	
n2	9 ¹³ / ₁₆	
P	9 ¹³ / ₁₆	
s1	9 ⁹ / ₁₆	
Type	A	
Volumen	1 ¹ / ₂₅₆	
w	13 ³ / ₄	
x	4 ⁵ / ₈	

Weight	
Total weight	78 kg

Connections			
Suction nozzle	Discharge nozzle		
DN 80	DN 65		
PN 16	PN 16		
EN1092-2	EN1092-2		
C	7 ⁷ / ₈	C	13 ¹³ / ₁₆
D	7 ⁷ / ₈	D	7 ⁵ / ₁₆
df	5 ³ / ₁₆	df	4 ⁵ / ₈
DN	3 ¹ / ₈	DN	2 ⁹ / ₁₆
K	6 ⁵ / ₁₆	K	5 ¹¹ / ₁₆
L	8 x 19	L	4 x 19

Dimensions and weight without obligation

Project	Xylect-20178897
Block	NSCS65-200/370/L26UCC4

Created by
Created on 1/10/2025

Last update 1/10/2025