

NSCS65-200/55/P46PCC4

Technical data

Company name
Contact
Phone number
e-mail address

Operating data					
1	Pumpe type	Single head pump		Fluid	Water, pure
2	No. of pumps	1		Operating temperature t A	°F 39.2
3	Nominal flow	US g.p.m.	0	Max / Min Operating Temperature mech. Seal	°F 120 / -25
4	Nominal head	ft	0	pH-value at t A	7
5	Static head	ft	0	Density at t A	lb/ft ³ 62.4
6	Inlet pressure	psi	0	Kin. viscosity at t A	ft ² /s 1.689E-5
7	Environmental temperature	°F	68	Vapor pressure at t A	psi 14.5
8	Available system NPSH	ft	0	Altitude	0

Pump data					
9	Lubrication	Standard, Grease lubrication [Std]			
10	Execution	4 poles motor			
11	Design	Horizontal			
12	Operating speed	1750 rpm	Stages	1	
13	Suction nozzle	DN 80	/	PN 16	/ EN1092-2
14	Discharge nozzle	DN 65	/	PN 16	/ EN1092-2
15	Max. casing pressure	psi			
16	Max. working pressure	psi	31.8		
17	Impeller type	Radial impeller			
18	Head H(Q=0)	ft	73		
19	Max. shaft power	hp	7.1		
20	Pump weight	kg			
21	Total weight	lb	255.7		

	Impeller Ø	Max.	inch	8 11/16
		designed	inch	8 1/4
		Min.	inch	6 13/16
		Nominal US g.p.m.		
	Flow	Max-	US g.p.m.	449.1
		Min-	US g.p.m.	92.5
	Head	Nominal		
		at Qmax	ft	40.7
		at Qmin	ft	73.2
	Shaft power	hp		
	Efficiency	%		
	NPSH 3%	ft		

Materials					
	Pump			Shaft Seal	
22				Single mechanical seal, without shaft sleeve	
23	Volute Casing	Cast Iron		eMG12 - Ø28mm	BQ7EGG-WA
24	Casing Cover	Cast Iron		Mechanical seal diameter	1 1/8 inch
25	Impeller	Cast Iron		1. Rotating ring	Carbon graphite resin impregnated
26	Shaft	Stainless steel		2. Stationary ring	SiC, silicon carbide, sintered press.less
27	Wear ring	Stainless steel		3. Secondary seal	Ethylene propylene rubber (EPDM)
28	Impeller lock nut and washer	Stainless steel		4. Springs	CrNiMo - Steel
29	Impeller key	Stainless steel		5. Others	EPDM - WRAS
30	Fill and drain plugs	Stainless steel		Gaskets of the pump	Ethylene propylene rubber (EPDM)
31					
32					
33					
34					
35					
36					
37					
38					
39					
40					
41					

Motor data					
Electrical and dimensional data refer to IE3 motor					
42	Manufacturer	Lowara			
43	Specific design	IE3 3ph Flange Motor - Premium Efficiency			
44	Type	PLM 132 B5 5,5 kW			
45	Rated power	7.3756 hp	Rated current	11.6 A	
46	Nominal speed	1758 rpm	Rated voltage	380 V	
47	Frame size	132	Service factor	1	
48	Weight	lb 138.0	Degree of protection	IP55	

Remarks					
49					
50					
50					
52					

NSCS65-200/55/P46PCC4

Performance curve

Company name
Contact
Phone number
e-mail address

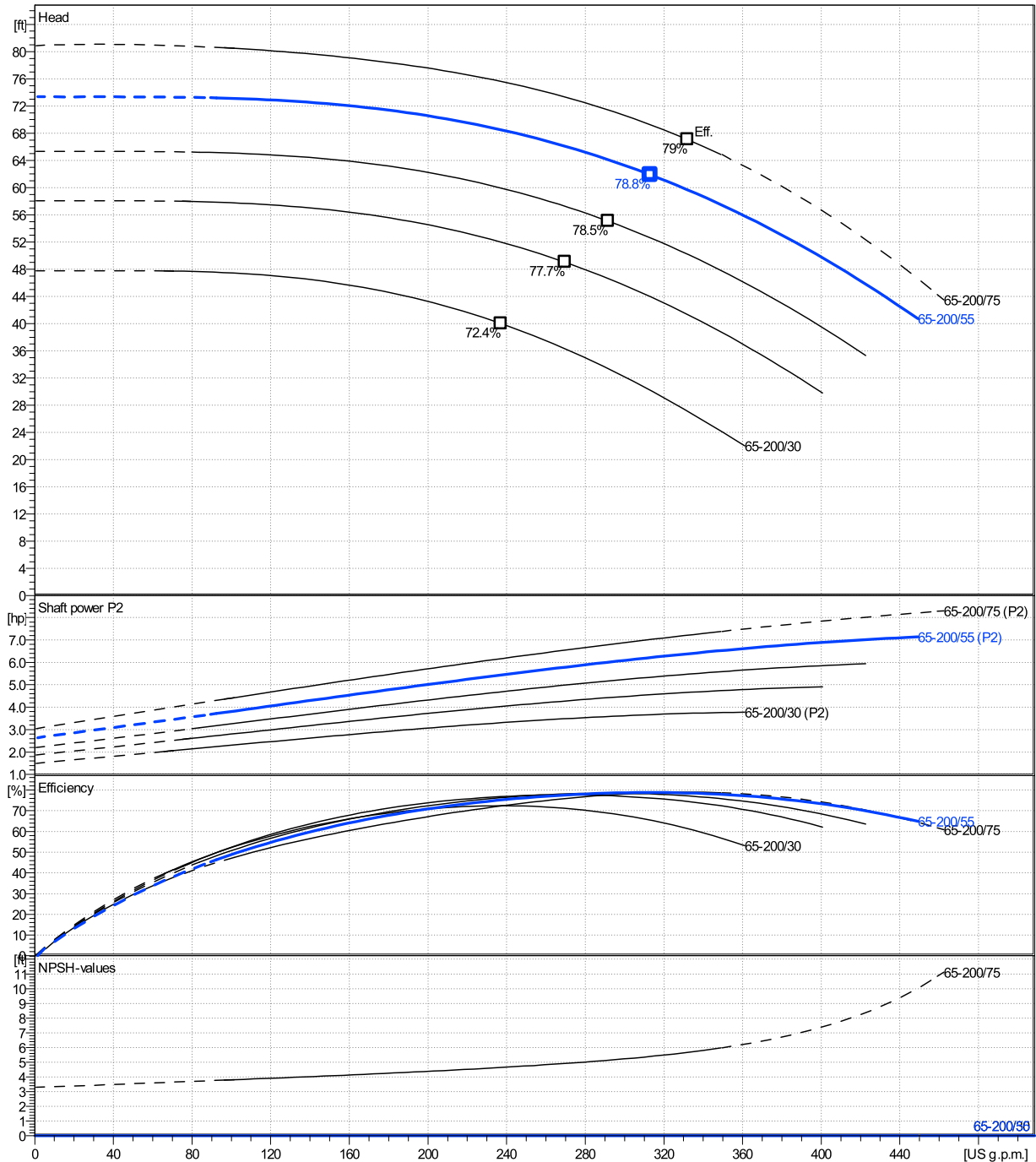
	Ø mm	Pump capacity Operating range η			Pump head H(Q=0) η		Shaft power P2 P2(Q=0) η			Frequency Hz	
		Min. US g.p.m.	Max. US g.p.m.	Max. US g.p.m.	ft	ft	hp	hp	hp	rpm	
actual	8 1/4	92.5	449	313	73.4	61.9		7.13	6.21	Operating speed	1750
Min.	0	/	/	237	47.8	40		/	3.31	Nominal flow	US g.p.m. 0
Max.	8 11/16	/	/	332	80.9	67.1		/	7.21	Nominal head	ft 0
										Inlet pressure	psi 0
										Static head	ft 0

Power datas referred to:

hydr. Performance acceptance acc. To EN ISO 9906 Class Grade 3B

Water, pure [100%] ; 39.2°F; 62.4lb/ft³; 1.69E-5ft²/s

MEI: N.A - according to Ecodesign Directive 2009/125/EC and Regulation (EU) No.547/2012



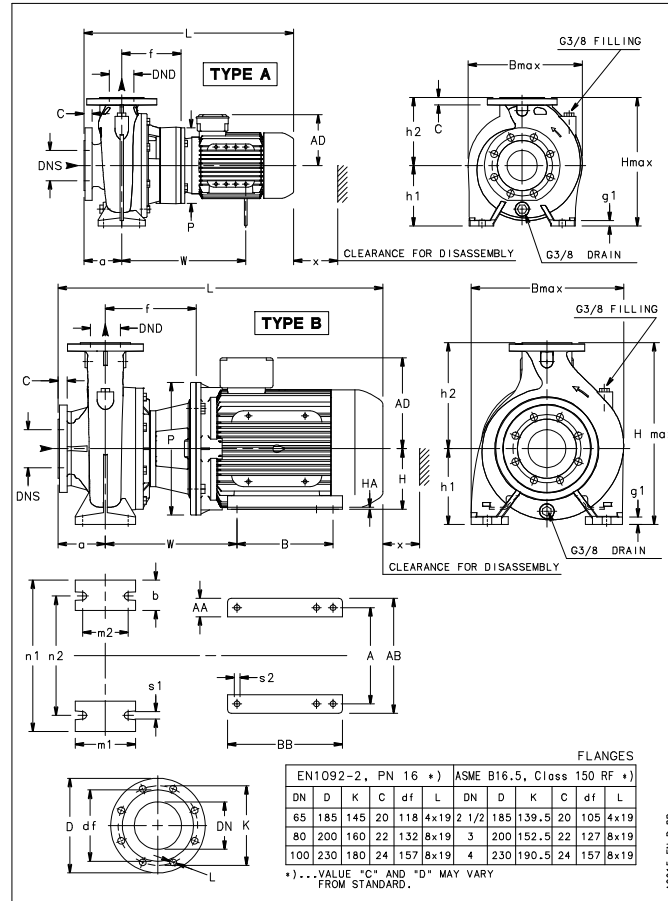
NSCS65-200/55/P46PCC4

Dimensions

Company name
Contact
Phone number
e-mail address

Blockpump
4 poles motor
PLM 132 B5 5,5 kW

Electrical and dimensional data refer to IE3 motor



Dimensions [inch]

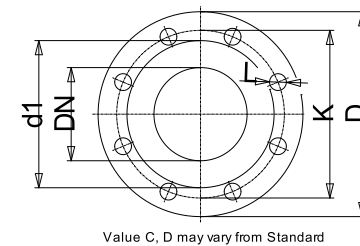
a	3 ¹⁵ / ₁₆		
AD	7 ¹ / ₂		
b	2 ⁹ / ₁₆		
Bmax	13 ¹¹ / ₁₆		
DNd	2 ⁹ / ₁₆		
DNS	3 ³ / ₈		
f	7 ⁹ / ₁₆		
g1	5 ⁵ / ₈		
h1	7 ¹ / ₁₆		
h2	8 ⁷ / ₈		
Hmax	15 ¹⁵ / ₁₆		
L	27 ⁷ / ₁₆		
m1	4 ¹⁵ / ₁₆		
m2	3 ³ / ₄		
n1	12 ⁵ / ₈		
n2	9 ¹³ / ₁₆		
P	11 ¹³ / ₁₆		
s1	9 ⁹ / ₁₆		
Type	A		
Volumen	1 ¹ / ₂₅₆		
w	17 ¹ / ₈		
x	4 ⁵ / ₈		

Weight

Total weight	116 kg
---------------------	---------------

Connections

Suction nozzle		Discharge nozzle	
DN 80		DN 65	
PN 16		PN 16	
EN1092-2		EN1092-2	
C	7 ⁷ / ₈	C	1 ³ / ₁₆
D	7 ⁷ / ₈	D	7 ⁵ / ₁₆
df	5 ³ / ₁₆	df	4 ⁵ / ₈
DN	3 ³ / ₈	DN	2 ⁹ / ₁₆
K	6 ⁵ / ₁₆	K	5 ¹¹ / ₁₆
L	8 x 19	L	4 x 19



Dimensions and weight without obligation

Project	Xylect-20178897
Block	NSCS65-200/370/L26UCC4

Created by
Created on 1/10/2025

Last update 1/10/2025