

NSCS65-250/110/P46PCC4

Technical data

Company name
Contact
Phone number
e-mail address

Operating data						
1	Pumpe type	Single head pump		Fluid	Water, pure	
2	No. of pumps	1		Operating temperature t A	°F	39.2
3	Nominal flow	US g.p.m.	0	Max / Min Operating Temperature mech. Seal	°F	120 / -25
4	Nominal head	ft	0	pH-value at t A		7
5	Static head	ft	0	Density at t A	lb/ft ³	62.4
6	Inlet pressure	psi	0	Kin. viscosity at t A	ft ² /s	1.689E-5
7	Environmental temperature	°F	68	Vapor pressure at t A	psi	14.5
8	Available system NPSH	ft	0	Altitude		0

Pump data						
9	Lubrication	Standard, Grease lubrication [Std]				
10	Execution	4 poles motor				
11	Design	Horizontal				Impeller Ø
12	Operating speed	1750 rpm	Stages	1		Max. inch 10 3/16
13	Suction nozzle	DN 80 /	PN 16 /	EN1092-2		designed inch 10 3/16
14	Discharge nozzle	DN 65 /	PN 16 /	EN1092-2		Min. inch 9 9/16
15	Max. casing pressure	psi				Nominal US g.p.m.
16	Max. working pressure	psi	49.8			Max- US g.p.m. 528.3
17	Impeller type	Radial impeller				Min- US g.p.m. 110.1
18	Head H(Q=0)	ft	110			Nominal ft
19	Max. shaft power	hp	14.8			at Qmax ft 82.2
20	Pump weight	kg				at Qmin ft 117.1
21	Total weight	lb	423.3			Shaft power hp
						Efficiency %
						NPSH 3% ft

Materials						
22		Pump			Shaft Seal	
23	Volute Casing	Cast Iron			Single mechanical seal, without shaft sleeve	
24	Casing Cover	Cast Iron			eMG12 - Ø38mm	BQ7EGG-WA
25	Impeller	Cast Iron			Mechanical seal diameter	1 1/2 inch
26	Shaft	Stainless steel			1. Rotating ring	Carbon graphite resin impregnated
27	Wear ring	Stainless steel			2. Stationary ring	SiC, silicon carbide, sintered press.less
28	Impeller lock nut and washer	Stainless steel			3. Secondary seal	Ethylene propylene rubber (EPDM)
29	Impeller key	Stainless steel			4. Springs	CrNiMo - Steel
30	Fill and drain plugs	Stainless steel			5. Others	EPDM - WRAS
31					Gaskets of the pump	Ethylene propylene rubber (EPDM)
32						
33						
34						
35						
36						
37						
38						
39						
40						
41						

Motor data					
Electrical and dimensional data refer to IE3 motor					
42	Manufacturer	Lowara			
43	Specific design	IE3 3ph Flange Motor - Premium Efficiency			
44	Type	PLM 160 B35 11 kW			
45	Rated power	14.751 hp	Rated current	22.1 A	
46	Nominal speed	1758 rpm	Rated voltage	380 V	
47	Frame size	160	Service factor	1	
48	Weight	lb 275.6	Degree of protection	IP55	

Remarks					
49					
50					
50					
52					

NSCS65-250/110/P46PCC4

Performance curve

Company name
Contact
Phone number
e-mail address

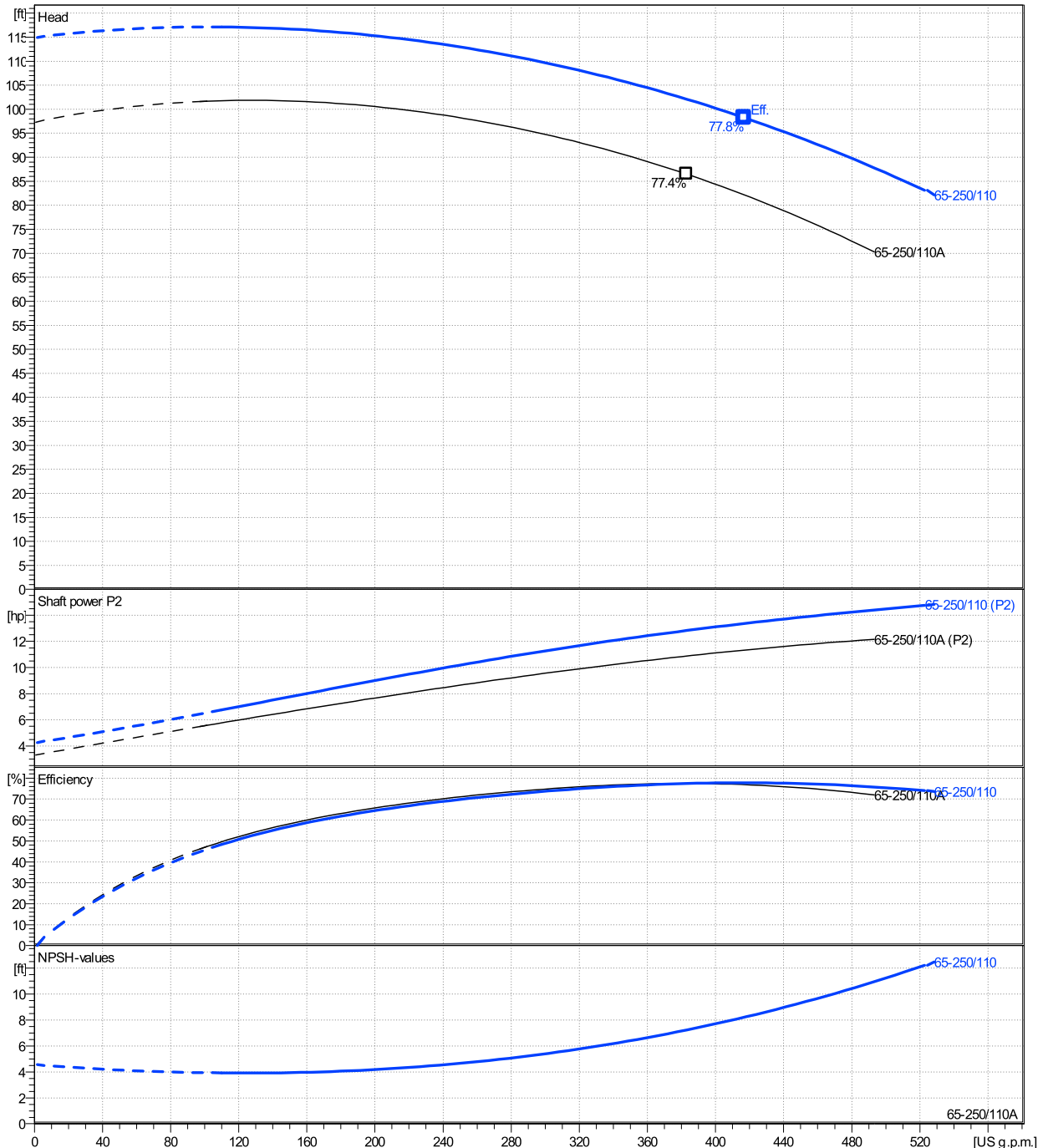
	Ø mm	Pump capacity			Pump head		Shaft power P2			Frequency	Hz	
		Operating range Min. US g.p.m.	Max. US g.p.m.	η Max. US g.p.m.	H(Q=0) ft	η Max. ft	P2(Q=0) hp	Max. hp	η Max. hp	Operating speed	rpm	
actual	10 3/16	110	523	417	115	98.3		14.8	13.4	Nominal flow	US g.p.m.	0
Min.	0	/	/	383	97.3	86.5		/	10.9	Nominal head	ft	0
Max.	10 3/16	/	/	417	115	98.3		/	13.4	Inlet pressure	psi	0
										Static head	ft	0

Power datas referred to:

hydr. Performance acceptance acc. To EN ISO 9906 Class Grade 3B

Water, pure [100%] ; 39.2°F; 62.4lb/ft³; 1.69E-5ft²/s

MEI: N.A - according to Ecodesign Directive 2009/125/EC and Regulation (EU) No.547/2012



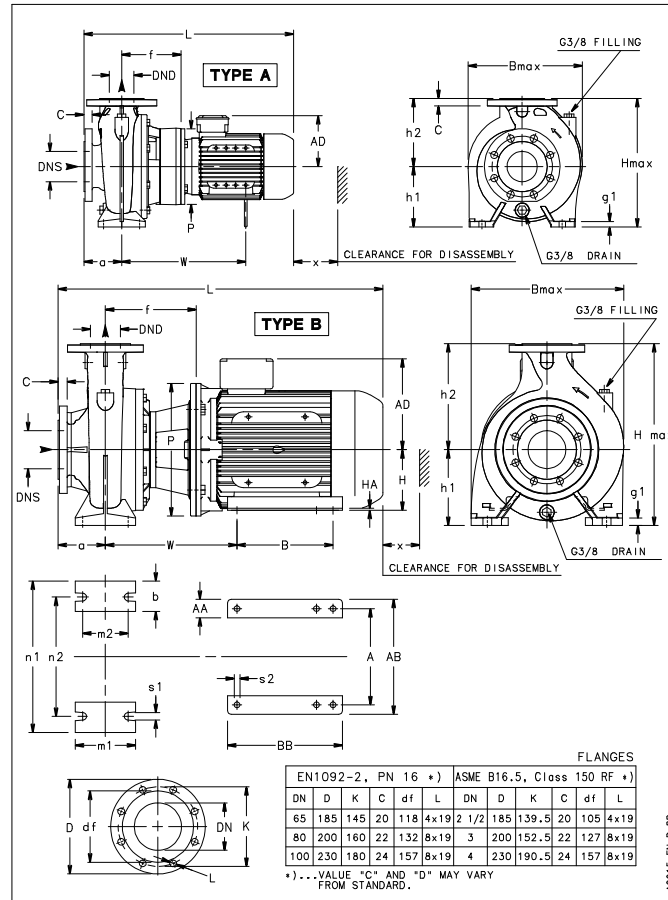
NSCS65-250/110/P46PCC4

Dimensions

Company name
Contact
Phone number
e-mail address

Blockpump B35
4 poles motor
PLM 160 B35 11 kW

Electrical and dimensional data refer to IE3 motor



Dimensions [inch]

a	3 ¹⁵ / ₁₆		
AD	9 ⁷ / ₁₆		
b	3 ¹ / ₈		
Bmax	14 ³ / ₈		
Bmax	14 ⁷ / ₁₆		
DNd	2 ⁹ / ₁₆		
DNs	3 ¹ / ₈		
f	9 ⁷ / ₁₆		
g1	1 ³ / ₁₆		
h1	7 ⁷ / ₈		
h2	9 ¹³ / ₁₆		
Hmax	17 ¹¹ / ₁₆		
L	32 ¹³ / ₁₆		
m1	6 ⁵ / ₁₆		
m2	4 ³ / ₄		
n1	14 ³ / ₁₆		
n2	11 ¹ / ₃₂		
P	13 ³ / ₄		
s1	1 ³ / ₁₆		
Type	B		
Volumen	1 ¹ / ₁₂₈		
w	13 ¹¹ / ₁₆		
x	5 ¹ / ₈		

Weight

Total weight	192 kg
---------------------	---------------

Connections

Suction nozzle		Discharge nozzle	
DN 80		DN 65	
PN 16		PN 16	
EN1092-2		EN1092-2	
C	7 ⁷ / ₈	C	1 ³ / ₁₆
D	7 ⁷ / ₈	D	7 ⁵ / ₁₆
df	5 ³ / ₁₆	df	4 ⁵ / ₈
DN	3 ¹ / ₈	DN	2 ⁹ / ₁₆
K	6 ⁵ / ₁₆	K	5 ¹¹ / ₁₆
L	8 x 19	L	4 x 19

Dimensions and weight without obligation

Project	Xylect-20178266
Block	NSCS65-250/750/L26UCC4 E4

Created by
Created on 1/10/2025

Last update 1/10/2025