

NSCS65-250/750/L26UCC4 E4

Technical data

Company name
Contact
Phone number
e-mail address

Operating data				
1	Pumpe type	Single head pump	Fluid	Water, pure
2	No. of pumps	1	Operating temperature t A	°F 39.2
3	Nominal flow	US g.p.m. 0	Max / Min Operating Temperature mech. Seal	°F 120 / -25
4	Nominal head	ft 0	pH-value at t A	7
5	Static head	ft 0	Density at t A	lb/ft ³ 62.4
6	Inlet pressure	psi 0	Kin. viscosity at t A	ft ² /s 1.689E-5
7	Environmental temperature	°F 68	Vapor pressure at t A	psi 14.5
8	Available system NPSH	ft 0	Altitude	0

Pump data				
9	Lubrication	Standard, Grease lubrication [Std]		
10	Execution	2 poles motor		
11	Design	Horizontal		
12	Operating speed	3500 rpm	Stages	1
13	Suction nozzle	DN 80 / PN 16 / EN1092-2	Impeller Ø	Max. inch 9 9/16
14	Discharge nozzle	DN 65 / PN 16 / EN1092-2		designed inch 9 9/16
15	Max. casing pressure	psi	Flow	Min. inch 8 1/4
16	Max. working pressure	psi 162.6		Nominal US g.p.m.
17	Impeller type	Radial impeller		Max- US g.p.m. 1056.7
18	Head H(Q=0)	ft 380	Head	Min- US g.p.m. 199.4
19	Max. shaft power	hp 92.9		Nominal ft
20	Pump weight	kg		at Qmax ft 236.7
21	Total weight	lb On demand	Shaft power hp	at Qmin ft 391
			Efficiency %	
			NPSH 3%	ft

Materials				
Pump		Shaft Seal		
22				
23	Volute Casing	Cast Iron	Single mechanical seal, without shaft sleeve	
24	Casing Cover	Cast Iron	eMG12 - Ø38mm	BQ7EGG-WA
25	Impeller	Cast Iron	Mechanical seal diameter	1 1/2 inch
26	Shaft	Stainless steel	1. Rotating ring	Carbon graphite resin impregnated
27	Wear ring	Stainless steel	2. Stationary ring	SiC, silicon carbide, sintered press.less
28	Impeller lock nut and washer	Stainless steel	3. Secondary seal	Ethylene propylene rubber (EPDM)
29	Impeller key	Stainless steel	4. Springs	CrNiMo - Steel
30	Fill and drain plugs	Stainless steel	5. Others	EPDM - WRAS
31			Gaskets of the pump	Ethylene propylene rubber (EPDM)
32				
33				
34				
35				
36				
37				
38				
39				
40				
41				

Motor data				
Electrical and dimensional data refer to IE4 motor				
42	Manufacturer	Lowara		
43	Specific design	IE4 3ph Flange Motor - Super Premium Efficiency		
44	Type	3MGS 280 S B35 75 kW E4		
45	Rated power	100.58 hp	Rated current	135 A
46	Nominal speed	3582 rpm	Rated voltage	380 V
47	Frame size	280 S	Service factor	1
48	Weight	lb 1,373.0	Degree of protection	IP55

Remarks				
49				
50				
50				
52				

NSCS65-250/750/L26UCC4 E4

Performance curve

Company name
Contact
Phone number
e-mail address

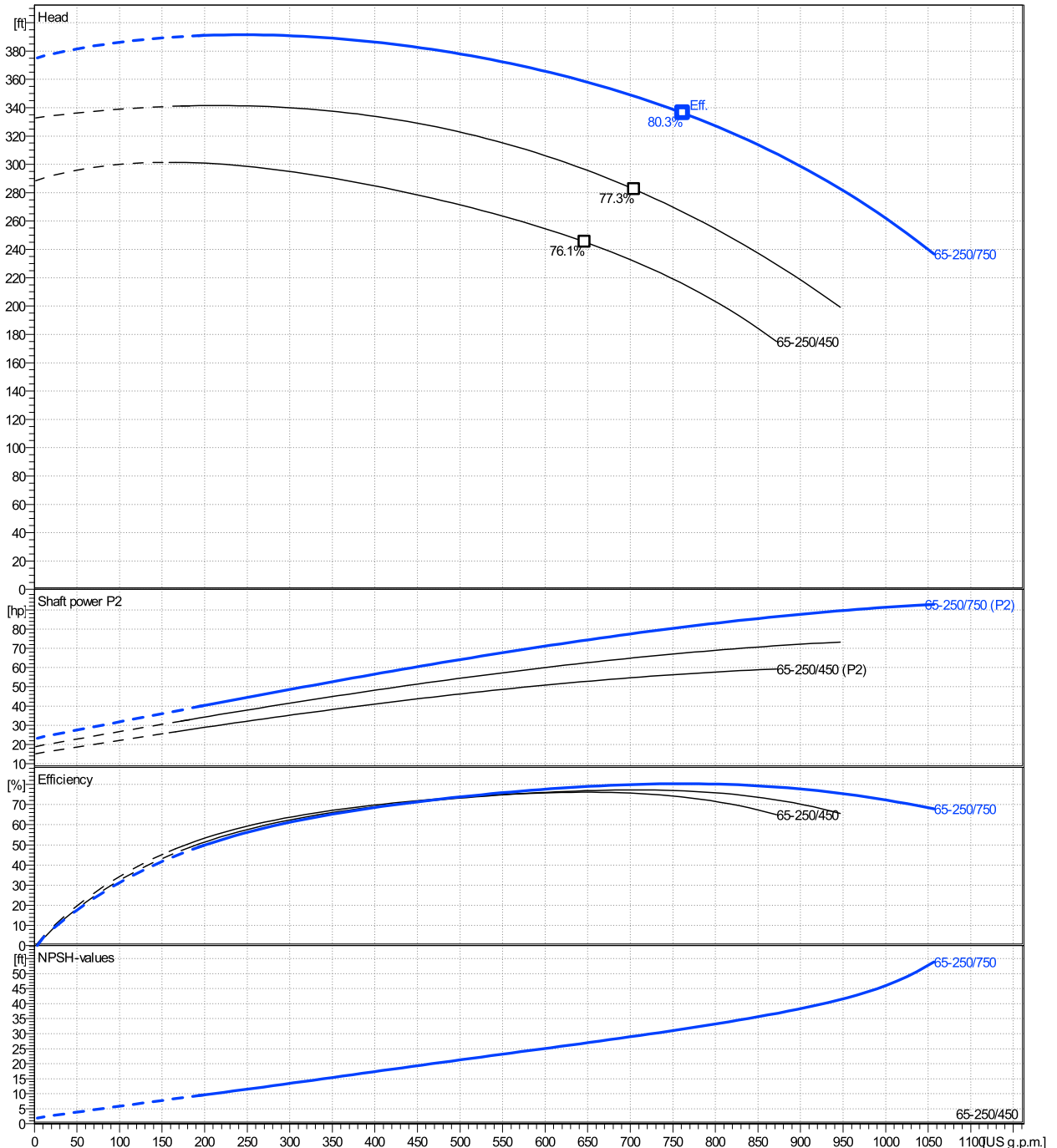
	Ø mm	Pump capacity Operating range η			Pump head H(Q=0) η		Shaft power P2 P2(Q=0) η			Frequency	Hz	
		Min. US g.p.m.	Max. US g.p.m.	Max. US g.p.m.	H(Q=0) ft	η ft	P2(Q=0) hp	Max. hp	η hp	Operating speed	rpm	
actual	9 9/16	199	1060	762	375	336	92.9	81	Nominal flow	US g.p.m.	0	
Min.	0	/	/	647	288	245	/	52.7	Nominal head	ft	0	
Max.	9 9/16	/	/	762	375	336	/	81	Inlet pressure	psi	0	
									Static head	ft	0	

Power datas referred to:

hydr. Performance acceptance acc. To EN ISO 9906 Class Grade 3B

Water, pure [100%] ; 39.2°F; 62.4lb/ft³; 1.69E-5ft²/s

MEI: N.A - according to Ecodesign Directive 2009/125/EC and Regulation (EU) No.547/2012



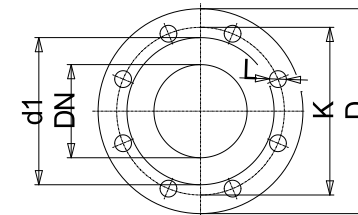
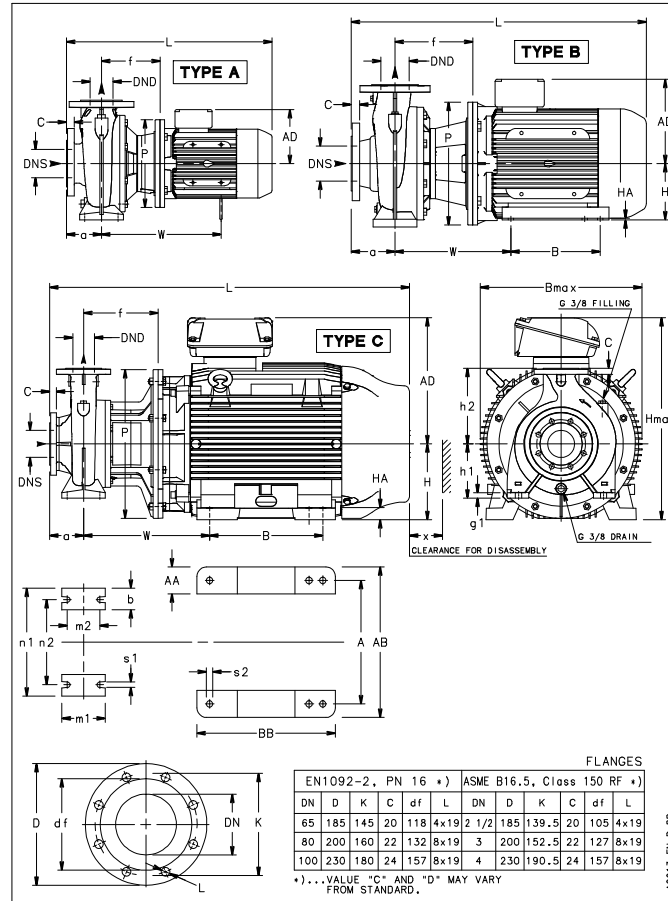
NSCS65-250/750/L26UCC4 E4

Dimensions

Company name
Contact
Phone number
e-mail address

Blockpump B35
2 poles motor
3MGS 280 S B35 75 kW E4

Electrical and dimensional data refer to IE4 motor



Value C, D may vary from Standard

Dimensions [inch]

a	3 ¹⁵ / ₁₆		
AD	16 ¹ / ₄		
b	3 ¹ / ₈		
Bmax	23 ⁷ / ₈		
DNd	2 ⁹ / ₁₆		
DNs	3 ¹ / ₈		
f	10 ⁷ / ₈		
g1	1 ³ / ₁₆		
h1	7 ⁷ / ₈		
h2	9 ¹³ / ₁₆		
Hmax	24 ¹ / ₈		
m1	6 ⁵ / ₁₆		
m2	4 ³ / ₄		
n1	14 ³ / ₁₆		
n2	11 ¹ / ₃₂		
P	21 ⁵ / ₈		
s1	1 ³ / ₁₆		
Type	C		
w	18 ³ / ₈		
x	5 ¹ / ₈		

Weight

Total weight	On demand kg
---------------------	---------------------

Connections

Suction nozzle		Discharge nozzle	
DN 80		DN 65	
PN 16		PN 16	
EN1092-2		EN1092-2	
C	7 ⁷ / ₈	C	1 ³ / ₁₆
D	7 ⁷ / ₈	D	7 ⁵ / ₁₆
df	5 ³ / ₁₆	df	4 ⁵ / ₈
DN	3 ¹ / ₈	DN	2 ⁹ / ₁₆
K	6 ⁵ / ₁₆	K	5 ¹¹ / ₁₆
L	8 x 19	L	4 x 19

Dimensions and weight without obligation

Project	Xylect-20178266
Block	NSCS65-250/750/L26UCC4 E4

Created by	
Created on	1/10/2025

Last update 1/10/2025