

NSCS80-160/185/P26PCC4

Technical data

Company name
Contact
Phone number
e-mail address

Operating data						
1	Pumpe type	Single head pump		Fluid	Water, pure	
2	No. of pumps	1		Operating temperature t A	°F	39.2
3	Nominal flow	US g.p.m.	0	Max / Min Operating Temperature mech. Seal	°F	120 / -25
4	Nominal head	ft	0	pH-value at t A		7
5	Static head	ft	0	Density at t A	lb/ft ³	62.4
6	Inlet pressure	psi	0	Kin. viscosity at t A	ft ² /s	1.689E-5
7	Environmental temperature	°F	68	Vapor pressure at t A	psi	14.5
8	Available system NPSH	ft	0	Altitude		0

Pump data							
9	Lubrication	Standard, Grease lubrication [Std]					
10	Execution	2 poles motor					
11	Design	Horizontal				Impeller Ø	
12	Operating speed	3500 rpm	Stages	1			
13	Suction nozzle	DN 100	/	PN 16	/	EN1092-2	
14	Discharge nozzle	DN 80	/	PN 16	/	EN1092-2	
15	Max. casing pressure	psi		Flow	Max-	US g.p.m.	
16	Max. working pressure	psi	55.9		Min-	US g.p.m.	233.8
17	Impeller type	Radial impeller				Head	
18	Head H(Q=0)	ft	130				Nominal
19	Max. shaft power	hp	24.2				at Qmax
20	Pump weight	kg		Shaft power	hp		
21	Total weight	lb	309.7			at Qmin	
				Efficiency	%		
				NPSH 3%	ft		

Materials						
22		Pump			Shaft Seal	
23	Volute Casing	Cast Iron			Single mechanical seal, without shaft sleeve	
24	Casing Cover	Cast Iron			eMG12 - Ø28mm	BQ7EGG-WA
25	Impeller	Cast Iron			Mechanical seal diameter	1 1/8 inch
26	Shaft	Stainless steel			1. Rotating ring	Carbon graphite resin impregnated
27	Wear ring	Stainless steel			2. Stationary ring	SiC, silicon carbide, sintered press.less
28	Impeller lock nut and washer	Stainless steel			3. Secondary seal	Ethylene propylene rubber (EPDM)
29	Impeller key	Stainless steel			4. Springs	CrNiMo - Steel
30	Fill and drain plugs	Stainless steel			5. Others	EPDM - WRAS
31					Gaskets of the pump	Ethylene propylene rubber (EPDM)
32						
33						
34						
35						
36						
37						
38						
39						
40						
41						

Motor data					
Electrical and dimensional data refer to IE3 motor					
42	Manufacturer	Lowara			
43	Specific design	IE3 3ph Flange Motor - Premium Efficiency			
44	Type	PLM 160 B35 18,5 kW			
45	Rated power	24.809 hp	Rated current	33.7 A	
46	Nominal speed	3540 rpm	Rated voltage	380 V	
47	Frame size	160	Service factor	1	
48	Weight	lb 246.9	Degree of protection	IP55	

Remarks					
49					
50					
50					
52					

NSCS80-160/185/P26PCC4

Performance curve

Company name
Contact
Phone number
e-mail address

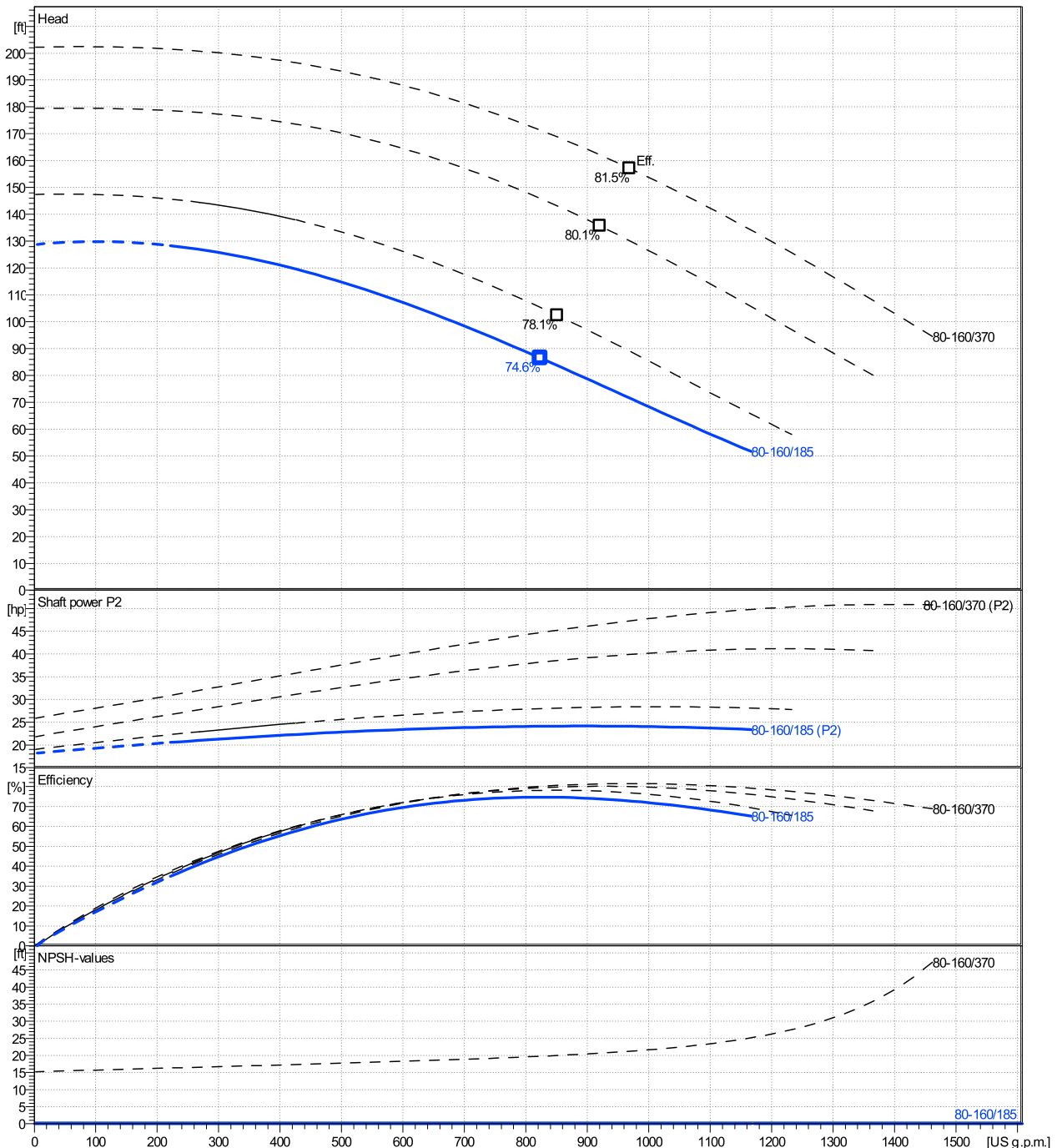
	Ø mm	Pump capacity			Pump head		Shaft power P2			Frequency	Hz	
		Operating range Min. US g.p.m.	Max. US g.p.m.	η Max. US g.p.m.	H(Q=0) ft	η Max. ft	P2(Q=0) hp	Max. hp	η Max. hp	Operating speed	rpm	
actual	5 11/16	234	1170	824	129	86.4	24.2	24.1	Nominal flow	US g.p.m.	0	
Min.	0	/	/	824	129	86.4	/	24.1	Nominal head	ft	0	
Max.	6 15/16	/	/	969	202	157	/	47.3	Inlet pressure	psi	0	
									Static head	ft	0	

Power datas referred to:

hydr. Performance acceptance acc. To EN ISO 9906 Class Grade 3B

Water, pure [100%] ; 39.2°F; 62.4lb/ft³; 1.69E-5ft²/s

MEI: N.A. - according to Ecodesign Directive 2009/125/EC and Regulation (EU) No.547/2012



Project	Xylect-2017897	Created by		Last update	1/10/2025
Block	NSCS80-160/370/L26UCC4	Created on	1/10/2025		

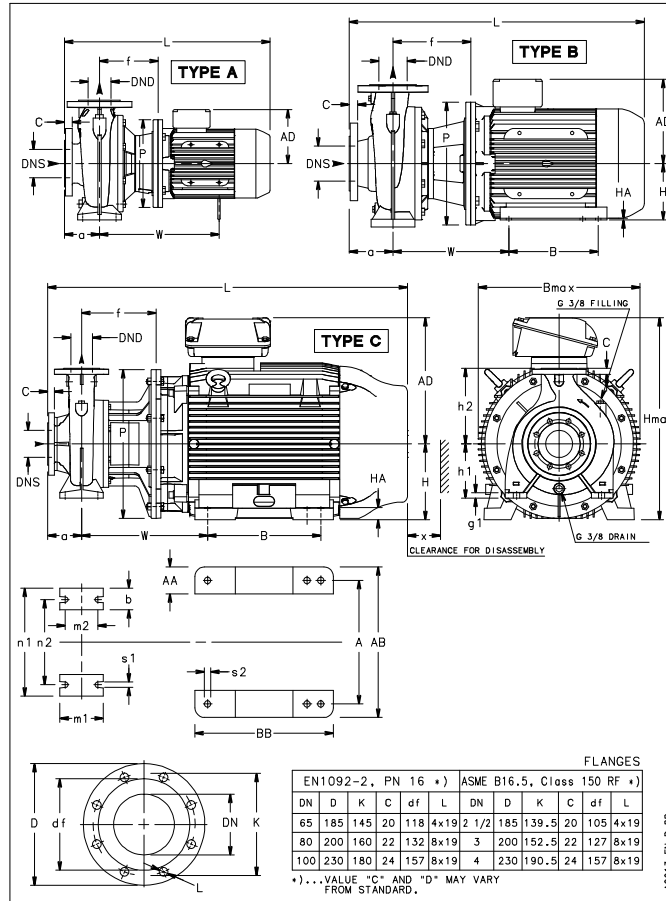
NSCS80-160/185/P26PCC4

Dimensions

Company name
Contact
Phone number
e-mail address

Blockpump B35
2 poles motor
PLM 160 B35 18,5 kW

Electrical and dimensional data refer to IE3 motor



Value C, D may vary from Standard

Dimensions		[inch]
a	4 ¹⁵ / ₁₆	
AD	9 ⁷ / ₁₆	
b	2 ⁹ / ₁₆	
Bmax	13 ³ / ₄	
Bmax	14 ¹ / ₈	
DNd	3 ¹ / ₈	
DNs	3 ¹⁵ / ₁₆	
f	8 ³ / ₄	
g1	5 ⁵ / ₈	
h1	7 ⁷ / ₁₆	
h2	8 ⁷ / ₈	
Hmax	16 ⁹ / ₁₆	
L	33 ¹ / ₈	
m1	4 ¹⁵ / ₁₆	
m2	3 ³ / ₄	
n1	12 ⁵ / ₈	
n2	9 ¹³ / ₁₆	
P	13 ³ / ₄	
s1	9 ¹ / ₁₆	
Type	B	
Volumen	1 ¹ / ₁₂₈	
w	13	
x	4 ¹³ / ₁₆	

Weight	
Total weight	140.5 kg

Connections			
Suction nozzle	Discharge nozzle		
DN 100	DN 80		
PN 16	PN 16		
EN1092-2	EN1092-2		
C	15 ¹⁵ / ₁₆	C	7 ⁷ / ₈
D	9 ¹ / ₁₆	D	7 ⁷ / ₈
df	6 ³ / ₁₆	df	5 ³ / ₁₆
DN	3 ¹⁵ / ₁₆	DN	3 ¹ / ₈
K	7 ¹ / ₁₆	K	6 ⁵ / ₁₆
L	8 x 19	L	8 x 19

Dimensions and weight without obligation

Project	Xylect-20178897
Block	NSCS80-160/370/L26UCC4

Created by
Created on 1/10/2025

Last update 1/10/2025