

NSCS80-250/550/L26UCC4

Technical data

Company name
Contact
Phone number
e-mail address

Operating data						
1	Pumpe type	Single head pump		Fluid	Water, pure	
2	No. of pumps	1		Operating temperature t A	°F	39.2
3	Nominal flow	US g.p.m.	0	Max / Min Operating Temperature mech. Seal	°F	120 / -25
4	Nominal head	ft	0	pH-value at t A		7
5	Static head	ft	0	Density at t A	lb/ft ³	62.4
6	Inlet pressure	psi	0	Kin. viscosity at t A	ft ² /s	1.689E-5
7	Environmental temperature	°F	68	Vapor pressure at t A	psi	14.5
8	Available system NPSH	ft	0	Altitude		0

Pump data							
9	Lubrication	Standard, Grease lubrication [Std]					
10	Execution	2 poles motor					
11	Design	Horizontal				Impeller Ø	
12	Operating speed	3500 rpm	Stages	1			
13	Suction nozzle	DN 100	/	PN 16	/	EN1092-2	
14	Discharge nozzle	DN 80	/	PN 16	/	EN1092-2	
15	Max. casing pressure	psi		Flow	Max-	US g.p.m.	
16	Max. working pressure	psi	127.6		Min-	US g.p.m.	264.2
17	Impeller type	Radial impeller				Head	
18	Head H(Q=0)	ft	290		Nominal		ft
19	Max. shaft power	hp	75.8		at Qmax		ft
20	Pump weight	kg		Shaft power	at Qmin	ft	
21	Total weight	lb	On demand		hp		
				Efficiency	%		
				NPSH 3%	ft		

Materials						
22		Pump			Shaft Seal	
23	Volute Casing	Cast Iron			Single mechanical seal, without shaft sleeve	
24	Casing Cover	Cast Iron			eMG12 - Ø38mm	BQ7EGG-WA
25	Impeller	Cast Iron			Mechanical seal diameter	1 1/2 inch
26	Shaft	Stainless steel			1. Rotating ring	Carbon graphite resin impregnated
27	Wear ring	Stainless steel			2. Stationary ring	SiC, silicon carbide, sintered press.less
28	Impeller lock nut and washer	Stainless steel			3. Secondary seal	Ethylene propylene rubber (EPDM)
29	Impeller key	Stainless steel			4. Springs	CrNiMo - Steel
30	Fill and drain plugs	Stainless steel			5. Others	EPDM - WRAS
31					Gaskets of the pump	Ethylene propylene rubber (EPDM)
32						
33						
34						
35						
36						
37						
38						
39						
40						
41						

Motor data					
Electrical and dimensional data refer to IE3 motor					
42	Manufacturer	Lowara			
43	Specific design	IE3 3ph Flange Motor - Premium Efficiency			
44	Type	3MGS 250 M B35 55 kW			
45	Rated power	73.756 hp	Rated current	97 A	
46	Nominal speed	3564 rpm	Rated voltage	380 V	
47	Frame size	250 M	Service factor	1	
48	Weight	lb 985.4	Degree of protection	IP55	

Remarks					
49					
50					
50					
52					

NSCS80-250/550/L26UCC4

Performance curve

Company name
Contact
Phone number
e-mail address

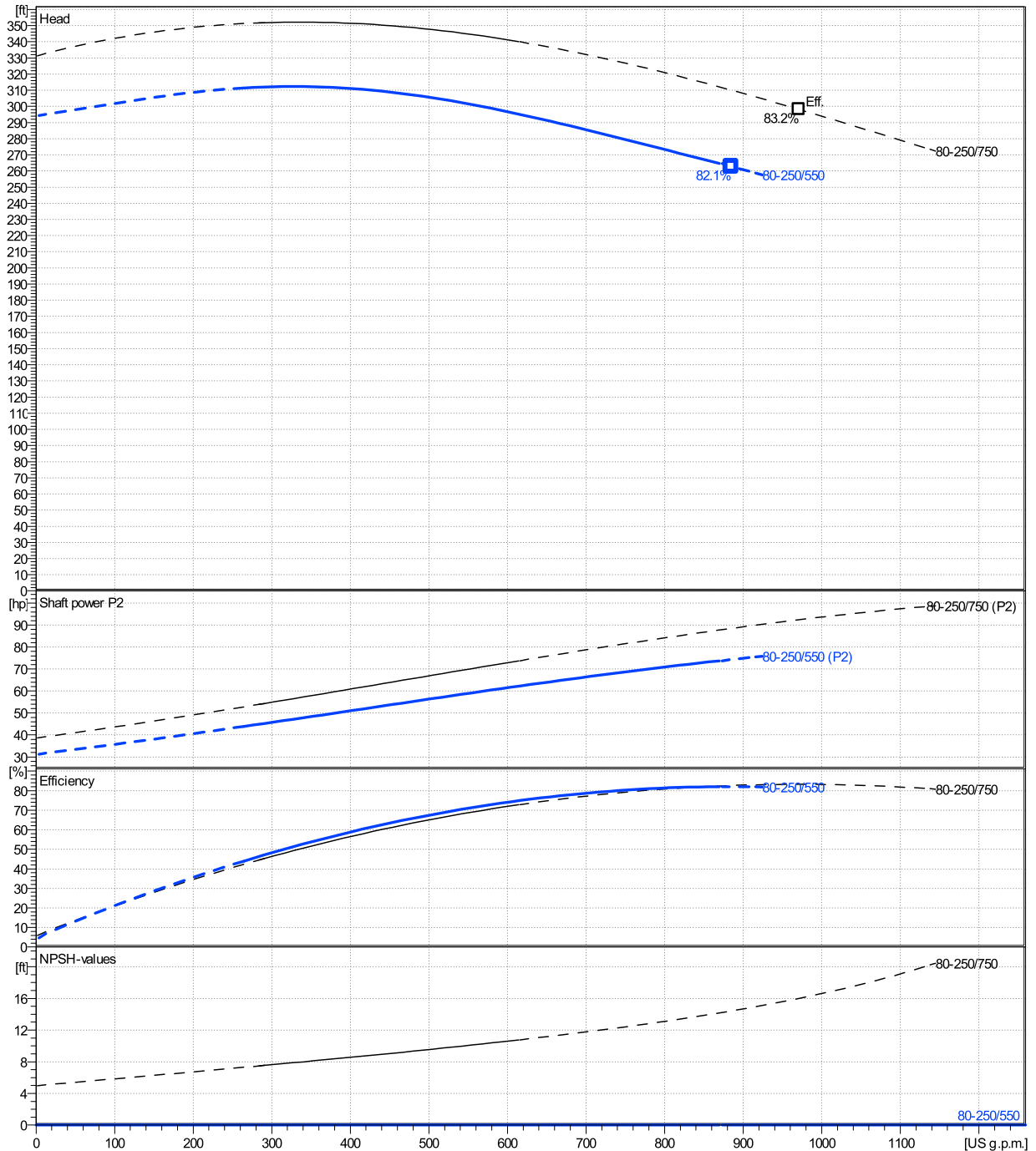
	Ø mm	Pump capacity			Pump head		Shaft power P2			Frequency		Hz	60
		Operating range Min. US g.p.m.	Max. US g.p.m.	η Max. US g.p.m.	H(Q=0) ft	η Max. ft	P2(Q=0) hp	Max. hp	η Max. hp	Operating speed rpm	3500		
actual	8 7/16	264	870	885	294	263		75.8	74.3	Nominal flow	US g.p.m.	0	
Min.	0	/	/	885	294	263		/	74.3	Nominal head	ft	0	
Max.	8 15/16	/	/	971	331	298		/	92.4	Inlet pressure	psi	0	
										Static head	ft	0	

Power datas referred to:

hydr. Performance acceptance acc. To EN ISO 9906 Class Grade 3B

Water, pure [100%] ; 39.2°F; 62.4lb/ft³; 1.69E-5ft²/s

MEI: N.A - according to Ecodesign Directive 2009/125/EC and Regulation (EU) No.547/2012



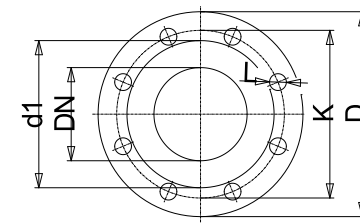
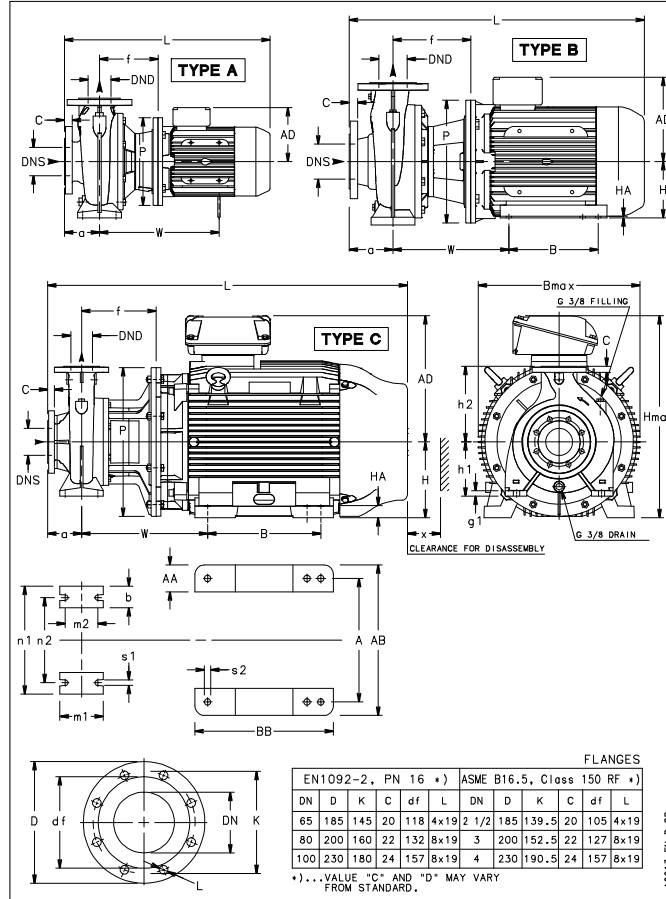
NSCS80-250/550/L26UCC4

Dimensions

Company name
Contact
Phone number
e-mail address

Blockpump B35
2 poles motor
3MGS 250 M B35 55 kW

Electrical and dimensional data refer to IE3 motor



Value C, D may vary from Standard

Dimensions [inch]

a	4 ¹⁵ / ₁₆		
AD	14 ¹³ / ₁₆		
b	3 ¹ / ₈		
Bmax	21 ⁵ / ₈		
DNd	3 ¹ / ₈		
DNs	3 ¹⁵ / ₁₆		
f	10 ⁷ / ₈		
g1	1 ³ / ₁₆		
h1	7 ⁷ / ₈		
h2	11 ¹ / ₃₂		
Hmax	22 ¹¹ / ₁₆		
m1	6 ⁵ / ₁₆		
m2	4 ³ / ₄		
n1	15 ³ / ₄		
n2	12 ³ / ₈		
P	21 ⁵ / ₈		
s1	1 ³ / ₁₆		
Type	C		
w	17 ¹ / ₂		
x	6		

Weight

Total weight	On demand kg
--------------	--------------

Connections

Suction nozzle		Discharge nozzle	
DN 100		DN 80	
PN 16		PN 16	
EN1092-2		EN1092-2	
C	1 ⁵ / ₁₆	C	7 ⁷ / ₈
D	9 ¹ / ₁₆	D	7 ⁷ / ₈
df	6 ³ / ₁₆	df	5 ³ / ₁₆
DN	3 ¹⁵ / ₁₆	DN	3 ¹ / ₈
K	7 ¹ / ₁₆	K	6 ⁵ / ₁₆
L	8 x 19	L	8 x 19

Dimensions and weight without obligation

Project	Xylect-20178266
Block	NSCS80-250/750/L26UCC4 E4

Created by
Created on 1/10/2025

Last update 1/10/2025