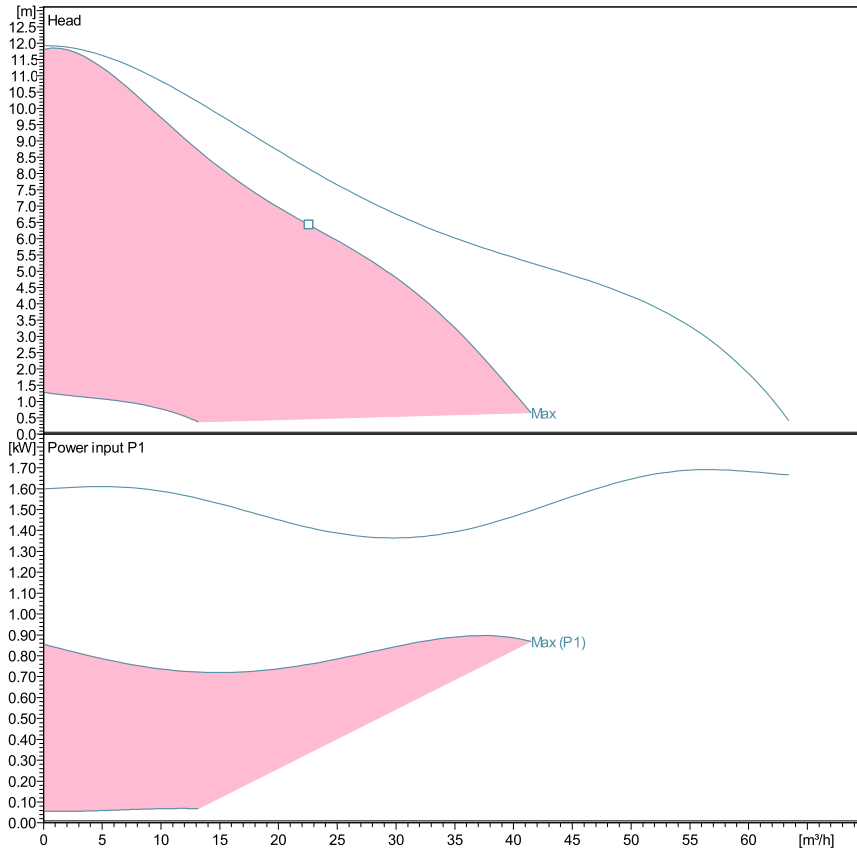


## ecocirc XLplus D 50-120 F

### Technical data

Company name  
Contact  
Phone number  
e-mail address



Performance according to ISO 9906:2012 – Grade 3B

Liquid temperature:

-10°C (14°F) to +110 °C (230°F) for heating pumps

-10°C (14°F) to +85 °C (185°F) for domestic hot water pumps

Power data referred to:

Water [100%]; 4°C; 1000kg/m<sup>3</sup>; 1.57mm<sup>2</sup>/s



### Pump data

Make	Lowara
Port to port (mm)	280
Electrical connection	Terminals
Specific EEI	<= 0,23
Nominal pressure	PN 6/10
Connection	Flanged / DN 50

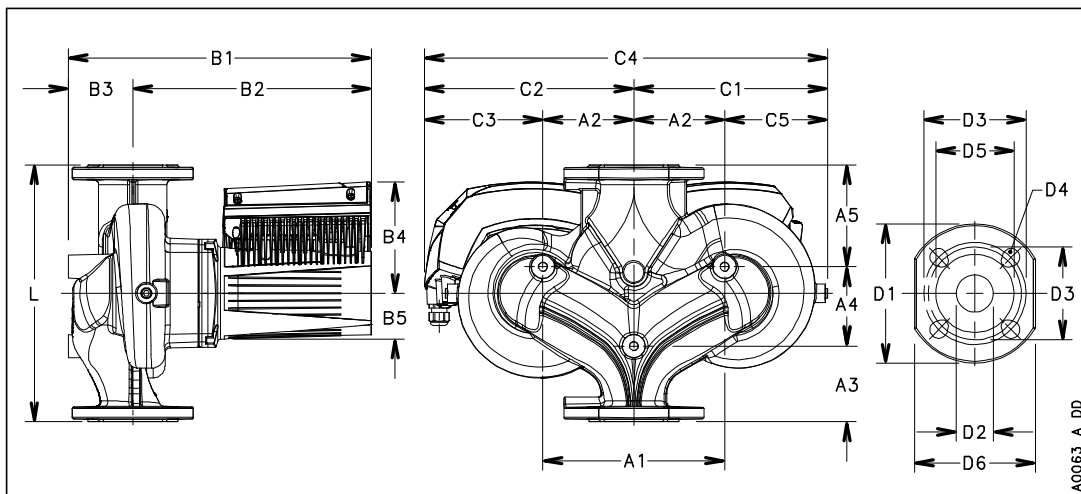
### Electrical data

Rated voltage	230 V
Frequency	50 / 60
Protection class	IP 44
Insulation class	F
Digital input	Contact load: 5V, 10 mA
Digital output	Vmax < 250 VAC / Imax < 2 A
Analog input	0-10 V / 4-20 mA
Leakage current	< 3.5 mA
Communication capabilities	Modbus RTU & BACnet MS/TP
Sound pressure level	<= 52 dB(A)
Rated current	4 A

### Materials

Bush Bearing	Carbon, resin impregnated	Impeller	PPS
Thrust bearing	Aluminium	Wear ring	Stainless steel
Bearing plate	Stainless steel	Rotor can	Stainless steel
Motor housing	Aluminum	Shaft	Stainless steel
O-rings	EPDM	Control box	Poly carbonate
PUMP HOUSING	Cast Iron		

### Dimensions mm



A1	240
A2	120
A3	60
A4	125
A5	95
B1	368
B2	290
B3	78
B4	147
B5	60
C1	202
C2	268
C3	148
C4	470
C5	82
D1	165
D2	50
D3	110/125
D4	4 x 14/19
D5	100
G	DN 50
Gross Weight	52.3
L	280
Net Weight	41.8