

DOMO GRI 116

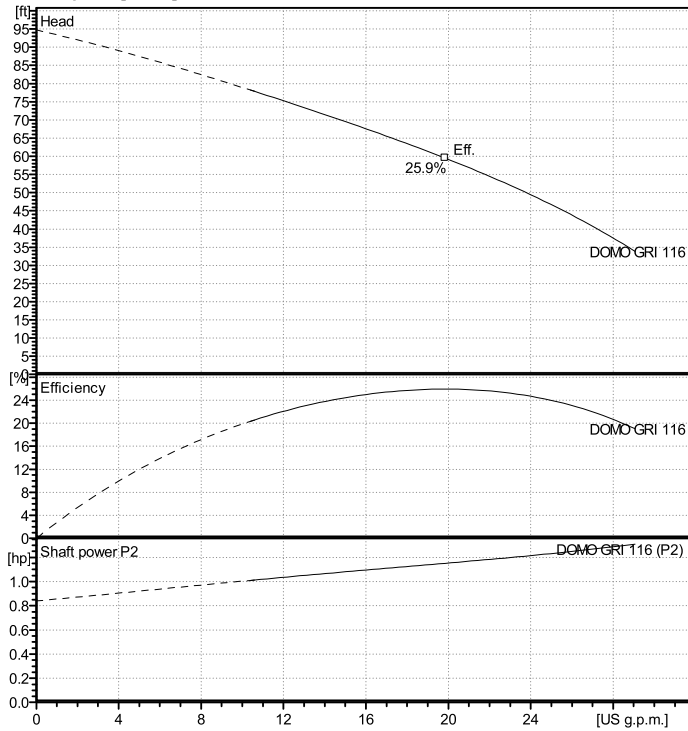
Technical data

Company name
Contact
Phone number
e-mail address

Performance according to ISO 9906:2012 – Grade 3B

Power datas referred to:

Water, pure [100%] ; 39.2°F; 62.4lb/ft³; 1.69E-5ft²/s



Operating Data Specification

Flow	0 US g.p.m.
Head	0 ft

Hydraulic data (duty point)

Flow	
Head	
Max. shaft power	1.31 hp

Pump data

Make	Lowara
Type	DOMO GRI 116 Submersible waste water pump
Speed	3500rpm
Head H(Q=0)	94.7 ft
Suction side	
Discharge side	
Types of installation	1 phase motor version
Weight	41.887 lb

Materials / seals

Pump body	Cast iron / ASTM Class 30
Impeller	PBT
SUCTION COVER	Cast iron / ASTM Class 30
Fixing ring	Stainless steel / AISI 304

Shaft Seal

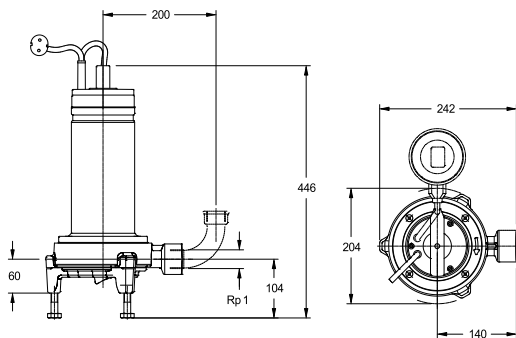
Rotating Assembly	Silicon Carbide
Fixed Assembly	Silicon Carbide
Elastomers	NBR
Springs	AISI 316
Other Components	AISI 316

Motor data

Rated power P2	1.4751 hp	Nom. Speed	3500 rpm
Frequency	60	Phase	1~
Rated voltage	230 V	Rated current	6.74 A
Protection class	IP X8	Insulation class	F
Permitted voltage tolerance +/- 10%			

Dimensions

inch



Note:

--	--	--	--